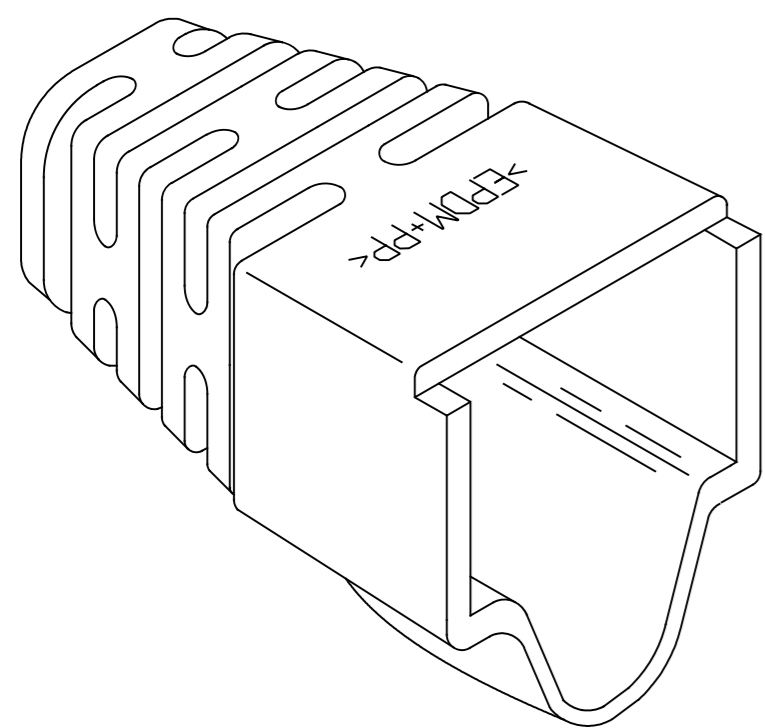


THIS DRAWING IS UNPUBLISHED. RELEASED FOR PUBLICATION

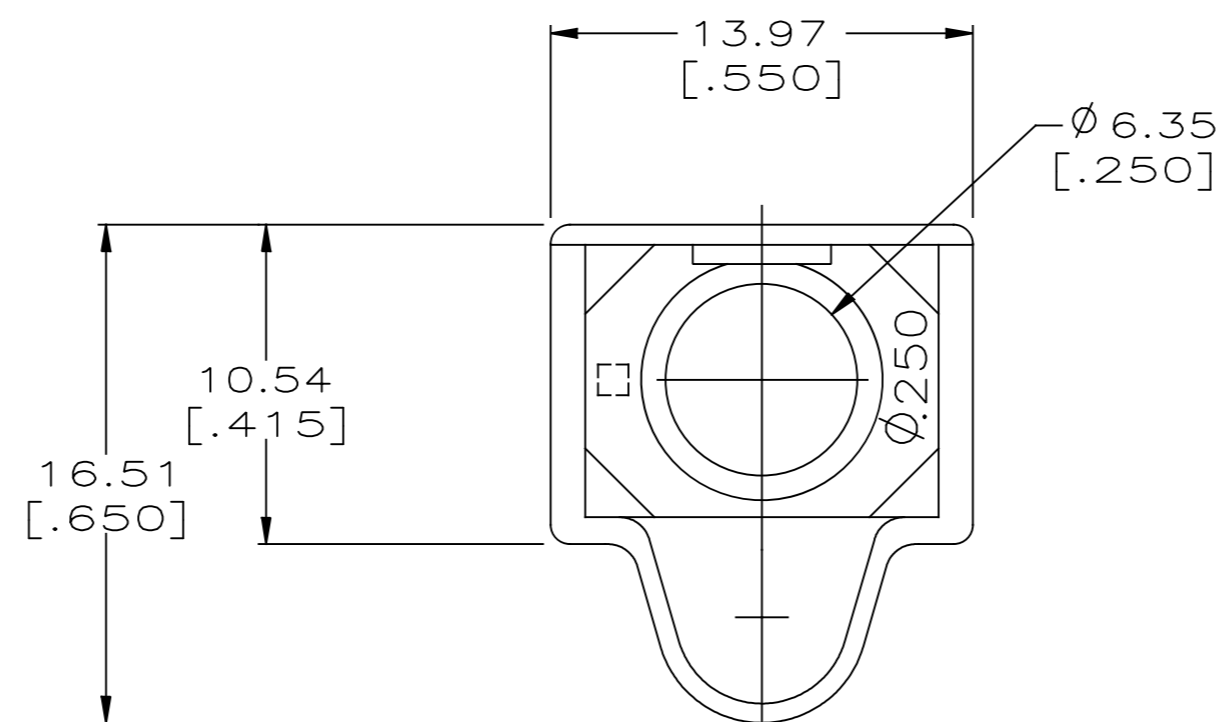
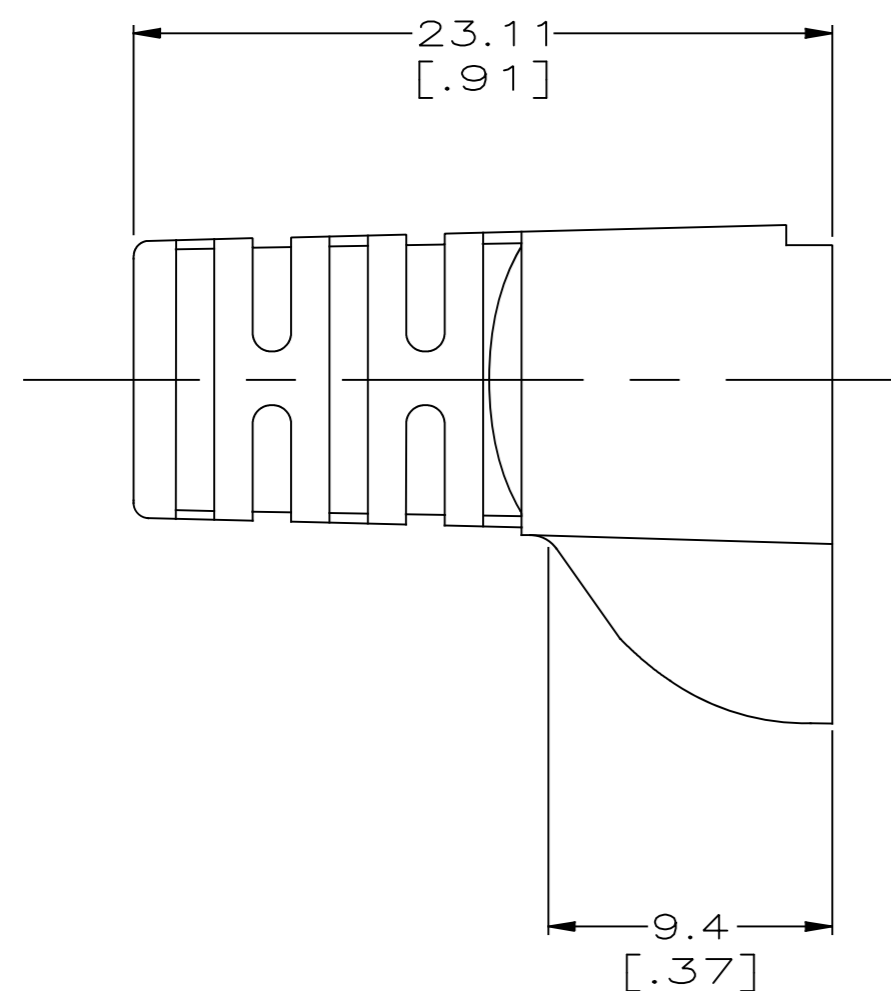
© 2016 Commscope, INC. Confidential. NOTICE: These drawings and specifications are the proprietary property of COMMSCOPE, INC. and may be used only for the specific purpose authorized in writing by COMMSCOPE, INC.

REVISIONS

P	LTR	DESCRIPTION	DATE	DWN	APVD
A2		ECO-13-012375	01AUG2013	JM	JG
B		REV PER BNS_CD_BRAND	20JAN2017	GG	DC



- 1 MATERIAL: ELASTOMER POLYOLEFIN, SEE TABLE FOR COLOR.
- 2 DIMENSIONS ARE NOMINAL UNLESS OTHERWISE SPECIFIED.
- 3. BOOT DESIGNED TO FIT CABLE DIAMETER OF .250 NOMINAL, AMP SHIELDED MODULAR PLUGS AND EXTERNAL STRAIN RELIEF 558527-3.



NEMA GY	1-569877-0
VIOLET	569877-9
WHITE	569877-8
ORANGE	569877-7
YELLOW	569877-6
BLUE	569877-5
GREEN	569877-4
RED	569877-3
LT ALMOND	569877-2
BLACK	569877-1
COLOR	PART NUMBER

THIS DRAWING IS A CONTROLLED DOCUMENT.		DWN DL DRUMMOND 22 FEB 96	COMMSCOPE, INC.	
DIMENSIONS: mm[INCHES]		CHK D. AHERON 07 MAR 96		
TOLERANCES UNLESS OTHERWISE SPECIFIED:		APVD B. ANTHONY 07 MAR 96	NAME BOOT, HOODED, ϕ .250	
ϕ	0 PLC \pm -	PRODUCT SPEC	SIZE	CAGE CODE
\pm	1 PLC \pm -	APPLICATION SPEC	A2	-
Δ	2 PLC \pm -	WEIGHT	DRAWING NO C=569877	
	3 PLC \pm -		RESTRICTED TO	
	4 PLC \pm -		-	
	ANGLES \pm -			
	FINISH -			
MATERIAL		CUSTOMER DRAWING	SCALE 4:1	SHEET 1 of 1
				REV B

569877

A

X-ON Electronics

Largest Supplier of Electrical and Electronic Components

Click to view similar products for [Heat Shrink Cable Boots & End Caps](#) category:

Click to view products by [TE Connectivity](#) manufacturer:

Other Similar products are found below :

[577159N001](#) [645494-000](#) [CX4132-000](#) [687025-000](#) [705331-000](#) [718446-000](#) [725666N001](#) [729257-000](#) [F27131-000](#) [F85868-000](#) [770-003S106W2](#) [806542N001](#) [807507-000](#) [808059-000](#) [808362-000](#) [808618-000](#) [809125-000](#) [809130-000](#) [809218-000](#) [812014-000](#) [812047-000](#) [813166-000](#) [813767N002](#) [814741-000](#) [819117N001](#) [823026-000](#) [823070-000](#) [825002-000](#) [841189N001](#) [861471-000](#) [866647-000](#) [879515-000](#) [937577-000](#) [957073-000](#) [982033-2](#) [A77813-000](#) [R280576000](#) [D96192-000](#) [163549-000](#) [MTPSRBCL-C](#) [1954015-1](#) [200W531-3-0](#) [202A163-4-0-CS5067](#) [202A343-3-00-0](#) [202B221-13-0](#) [202B231-13-0](#) [202B563-25-07-0](#) [202C241-13-0](#) [202D121-4-01/86-0](#) [202D132-4-07/42-0](#)