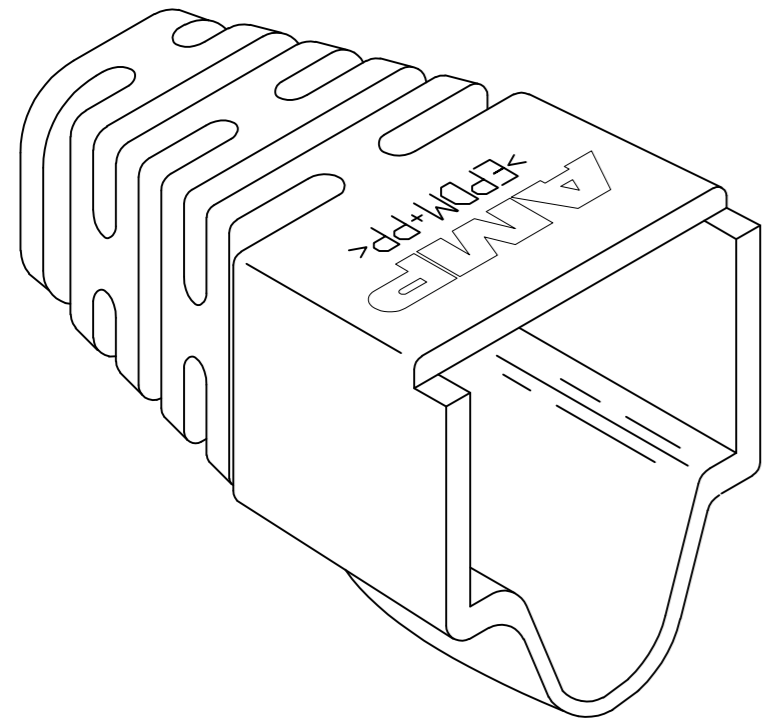
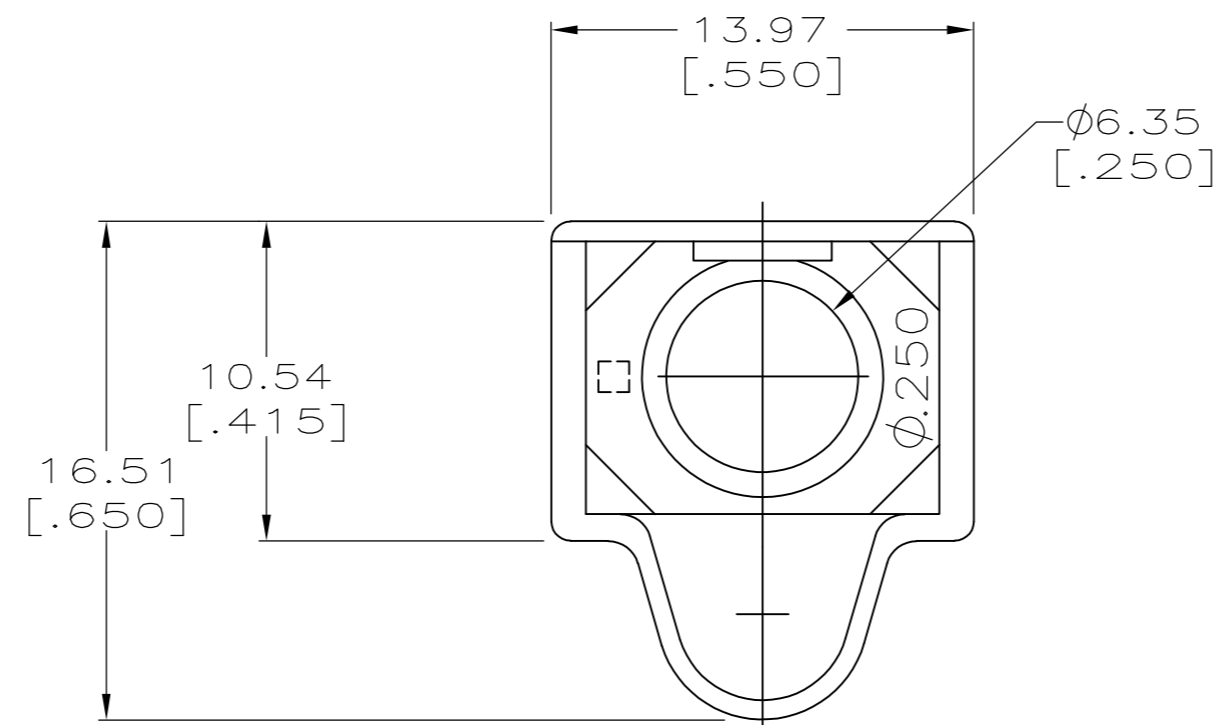
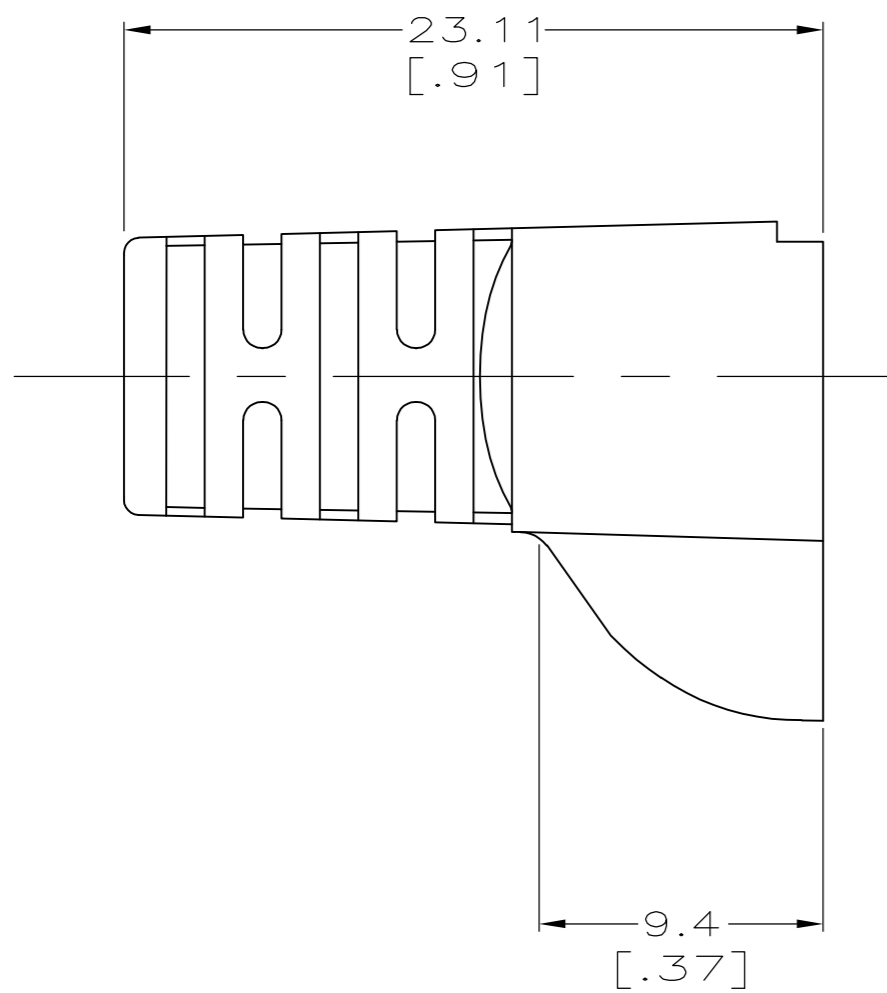


THIS DRAWING IS UNPUBLISHED. RELEASED FOR PUBLICATION  
 © COPYRIGHT - By - ALL RIGHTS RESERVED.

LOC	DIST	REVISIONS					
		P	LTR	DESCRIPTION	DATE	DWN	APVD
AA	28	A2		ECO-13-012375	01AUG2013	JM	JG



- 1 MATERIAL: ELASTOMER POLYOLEFIN, SEE TABLE FOR COLOR.
- 2 DIMENSIONS ARE NOMINAL UNLESS OTHERWISE SPECIFIED.
- 3. BOOT DESIGNED TO FIT CABLE DIAMETER OF .250 NOMINAL, AMP SHIELDED MODULAR PLUGS AND EXTERNAL STRAIN RELIEF 558527-3.



NEMA GY	1-569877-0
VIOLET	569877-9
WHITE	569877-8
ORANGE	569877-7
YELLOW	569877-6
BLUE	569877-5
GREEN	569877-4
RED	569877-3
LT ALMOND	569877-2
BLACK	569877-1
COLOR	PART NUMBER

THIS DRAWING IS A CONTROLLED DOCUMENT.		DWN DL DRUMMOND 22 FEB 96	<b>TE</b> TE Connectivity			
DIMENSIONS: mm [INCHES]		CHK D. AHERON 07 MAR 96				
TOLERANCES UNLESS OTHERWISE SPECIFIED:		APVD B. ANTHONY 07 MAR 96	NAME BOOT, HOODED, Ø .250			
0 PLC ± -	1 2 3 4 PLC ± ± ± ± ANGLES ± -	PRODUCT SPEC	SIZE A2	CAGE CODE 00779	DRAWING NO C=569877	RESTRICTED TO -
MATERIAL		FINISH -	WEIGHT -	SCALE 4:1	SHEET 1 of 1	REV A2
MATERIAL		CUSTOMER DRAWING				

## X-ON Electronics

Largest Supplier of Electrical and Electronic Components

*Click to view similar products for [Cable Boots](#) category:*

*Click to view products by [TE Connectivity](#) manufacturer:*

Other Similar products are found below :

[618235-000](#) [622A014-3-0](#) [CX4132-000](#) [879515-000](#) [982033-2](#) [R280576000](#) [1300830729](#) [EN3BOOTLKIT](#) [MTPSRBCL-C](#) [1811481-1](#)  
[200W531-3-0](#) [202A121-386-0](#) [202A142-4-00/42-0](#) [202A163-4-0-CS5067](#) [202B221-13-0](#) [202B231-13-0](#) [202B563-25-07-0](#)  
[202C621710CS5361](#) [202D132-4-07/42-0](#) [202D221-4-0-CS5349](#) [202D221-4-26-0](#) [202D263-25-08-0](#) [202D263-4-22/42-0](#) [202D263-4-88-0](#)  
[202D921-2542-0](#) [202E336-71-0](#) [202F211-50-22-0-CS8474](#) [202F242-50-05-0](#) [202F242-51-04/164-0](#) [202K121-25-CS-1858-0](#) [202K121-25-](#)  
[CS-2062-0](#) [202K132-25-01/225-0CS8387](#) [202K153-3-0186-0](#) [202S132-25-UP-0](#) [203W301-3/42-0](#) [207W613-100/184-0-CS5657](#) [207W623-](#)  
[100-01/184-0](#) [207W634-100/184-0-CS5657](#) [207W656-100-01/184-0](#) [207W667-100-01/184-0](#) [207W667-100/184-0](#) [208A011-3-0](#) [208A021-3-](#)  
[0](#) [221A011-51164-0-CS7133](#) [222A121-2586](#) [222A152-342-0](#) [222A213-25-0-CS5613](#) [222D221-25-13/86-0](#) [222D232-4-61-0-CS5078](#)  
[222D253-100-22-0](#)