

THIS DRAWING IS UNPUBLISHED.

RELEASED FOR PUBLICATION

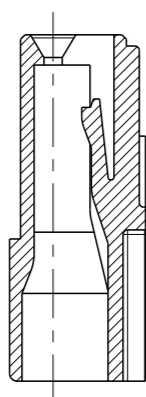
20

© COPYRIGHT 20 BY -

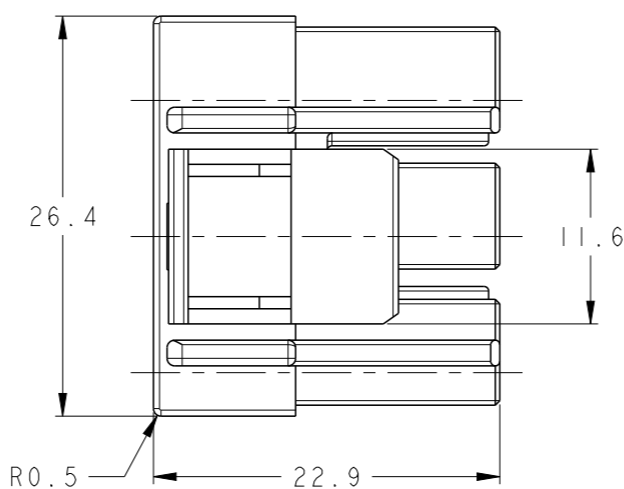
ALL RIGHTS RESERVED.

REVISIONS

P	LTR	DESCRIPTION	DATE	DWN	APVD
	F3	REVISED PER ECR-20-100333	25AUG2020	SC	D.Z



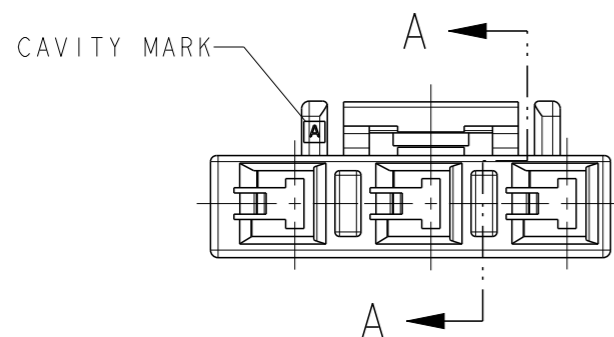
SECTION D-D



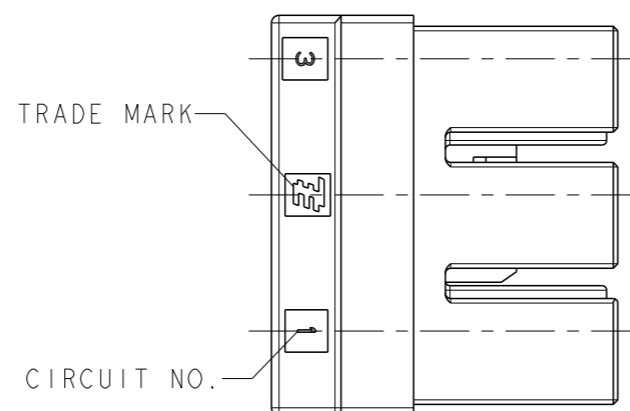
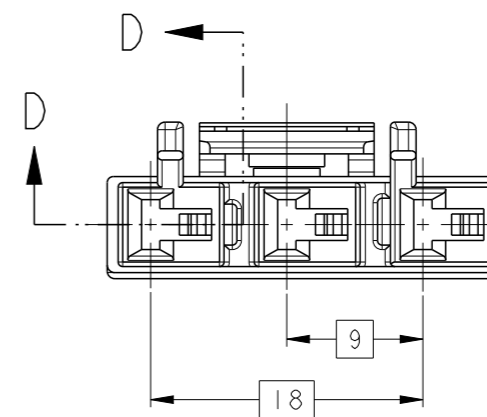
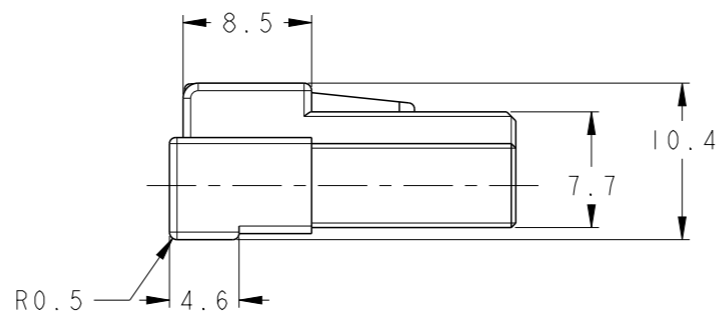
NOTES

⚠ MATING CONN. P/N  
 HDR ASSEMBLY: SEE TABLE  
 REC CONTACT: 1746971-1  
 : 1746972-1

2 PART MEETS WITH GWT 750°C



SECTION A-A



TRADE MARK

CIRCUIT NO.

2-1903415-1	BLUE	2-1903414-1
1-1903415-1	RED	1-1903414-1
1903415-1	NATURAL	1903414-1
⚠ MATING CONN.P/N	COLOR	PART NUMBER

THIS DRAWING IS A CONTROLLED DOCUMENT.

DIMENSIONS: mm	TOLERANCES UNLESS OTHERWISE SPECIFIED: 0 PLC ±0.3 1 PLC ±0.3 2 PLC ±0.3 3 PLC ±0.2 4 PLC ±0.2 ANGLES ±3°
MATERIAL PA66 GF UL94 V-0	FINISH -

DWN A.HIROTA 07FEB2006	CHK N.YAMASAKI 07FEB2006	APVD N.YAMASAKI 07FEB2006
PRODUCT SPEC 108-78357		
APPLICATION SPEC 114-5356		
WEIGHT -		

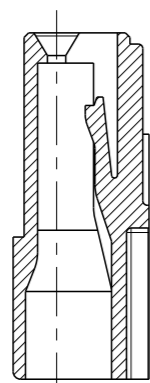


NAME  
 GRACE HI-CURRENT(GHC)  
 9.0mm 3POS PLUG HOUSING

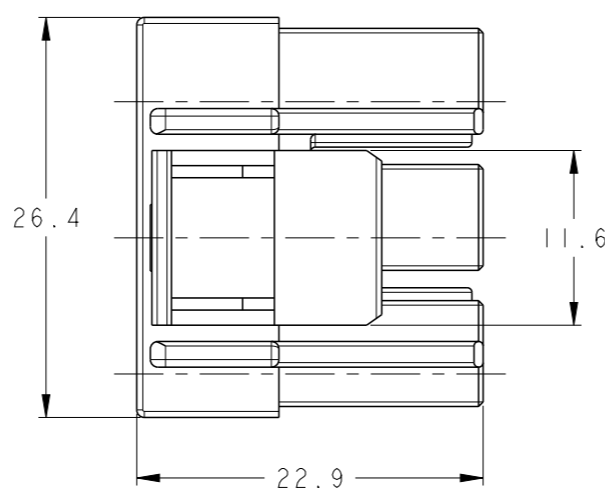
SIZE A3	CAGE CODE 00779	DRAWING NO C-1903414	RESTRICTED TO -
------------	--------------------	-------------------------	--------------------

CUSTOMER DRAWING SCALE 2:1 SHEET 1 OF 2 REV F3

P	LTR	DESCRIPTION	DATE	DWN	APVD
		SEE SHEET 1			



SECTION D-D

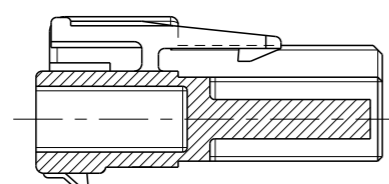
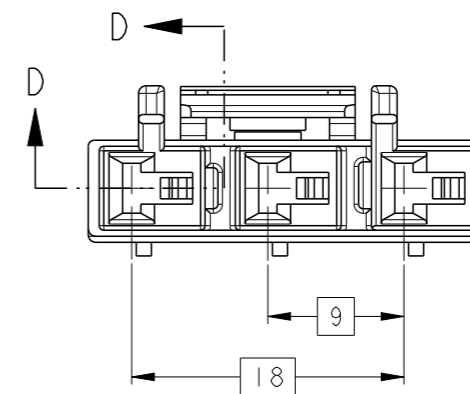
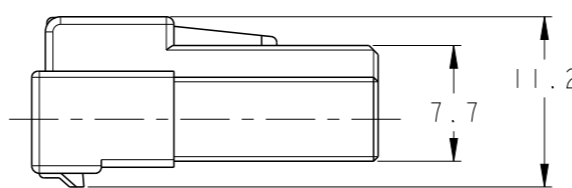
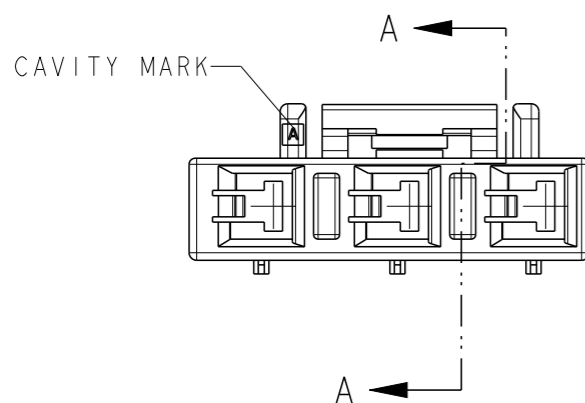


NOTES

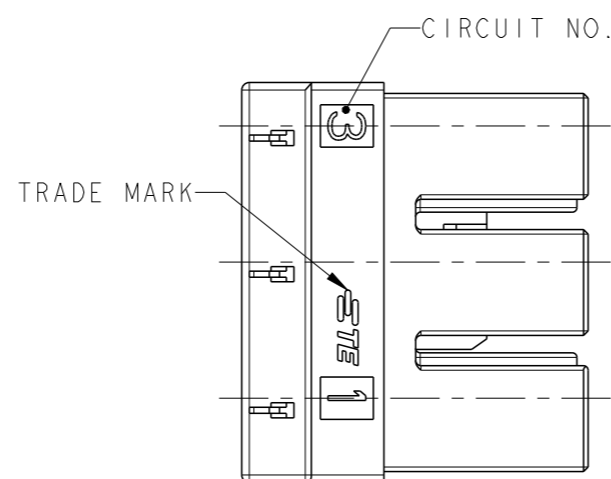
⚠ MATING CONN. P/N  
 HDR ASSEMBLY: SEE TABLE  
 REC CONTACT: 1746971-1  
 : 1746972-1

2 PART MEETS WITH GWT 750°C

3 APPLICABLE TPA P/N: 2232563-1



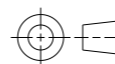
SECTION A-A



4-1903415-1	BLACK	4-1903414-2
2-1903415-1	BLUE	2-1903414-2
1-1903415-1	RED	1-1903414-2
1903415-1	NATURAL	1903414-2
⚠ MATING CONN. P/N	COLOR	PART NUMBER

THIS DRAWING IS A CONTROLLED DOCUMENT.

DIMENSIONS:  
mm



TOLERANCES UNLESS OTHERWISE SPECIFIED:

0 PLC ±0.3  
 1 PLC ±0.3  
 2 PLC ±0.3  
 3 PLC ±0.2  
 4 PLC ±0.2  
 ANGLES ±3°

MATERIAL  
 PA66 GF  
 UL94 V-0

FINISH

-

DWN SC KIM 26OCT2016

CHK BH CHO 26OCT2016

APVD BW KANG 26OCT2016

PRODUCT SPEC  
108-78357

APPLICATION SPEC  
114-5356

WEIGHT -

CUSTOMER DRAWING



TE Connectivity

NAME  
 GRACE HI-CURRENT(GHC)  
 9.0mm 3POS PLUG HOUSING

SIZE CAGE CODE DRAWING NO RESTRICTED TO

A300779 C-1903414

SCALE 2:1 SHEET 2 OF 2 REV F3

## X-ON Electronics

Largest Supplier of Electrical and Electronic Components

*Click to view similar products for [Standard Circular Contacts](#) category:*

*Click to view products by [TE Connectivity](#) manufacturer:*

Other Similar products are found below :

[RC16M23J](#) [133780-1](#) [RM20M13D28](#) [RM24M9D28](#) [RMMX110-1D28](#) [MS3474W10-6P L/C](#) [ELVP16100E](#) [164-901-CD](#) [EN3545007SCE](#)  
[BV002BSQ20049CZ](#) [BV002SSQ160404CZ](#) [1900ND05S1B00B](#) [166566-1](#) [1900ND04S1X00D](#) [ST-JL05-16S-C3-100](#) [ST-JL05-20S-C1-100](#)  
[ST-JL05-20S-C2-100](#) [T01-CRIMP-S03](#) [APK-SA16A07-002](#) [27963-15T12](#) [CONT-JL05-08S-C2-10](#) [CONT-JL05-12S-C1-10](#) [RC16M-23T](#)  
[RFD26L-1D28](#) [BV002ASJ16049CW](#) [JN1-22-20S-R-PKG100](#) [031-50213](#) [031-50565](#) [031-50794](#) [SJS861301M](#) [ST-JL05-16S-C1-100](#) [ST-](#)  
[JL05-20P-C1-100](#) [82911466K](#) [192991-0087](#) [192900-0570](#) [44-100-1414P-1000-101](#) [T3P16FC3LZ](#) [ST-JL05-16S-C2-3500](#) [ZP-4016-10NF](#)  
[CONT-JL05-12P-C1-10](#) [RM20M12G8D28](#) [031-50676](#) [12115010110](#) [RJFTVC2MG](#) [CAP-DACMDPC2](#) [031-50675-002](#) [CAP-DD1FDPC2](#)  
[CAP-DACMDPC1](#) [031-50966-010](#) [ASSP-10-F-A-C-SA](#)