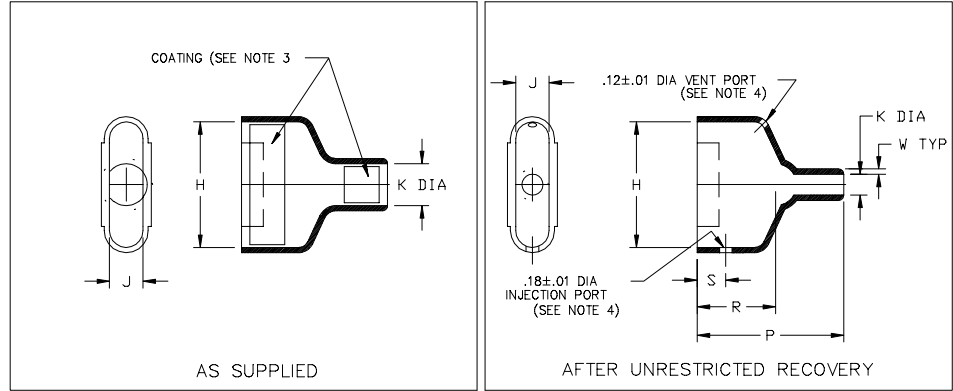


Thermofit[®] Molded Parts Specification Control Drawing

Part Number : 214A511 thru 552
Description : Boot, Rectangular, Straight Environmental, Subminiature

NOTES

- All dimensions are in $\frac{\text{inches}}{\text{[millimeters]}}$
- Dimensions appearing in table are as follows:
a - As Supplied
b - After Unrestricted Recovery
- Coating is optional. As supplied dimensions appearing in table are for uncoated parts. When coating is added, entry diameters will be reduced by .06 max.
- Molding ports are optional. When -00 modification number is specified molding ports will be located as shown.



PART NUMBER	H		J		K		P	R	S	W	This Boot Fits Cannon
	Min a	±5% b	Min a	±5% b	Min a	Max b					
214A511	.83 [21,1]	.80 [20,3]	.49 [12,2]	.42 [10,7]	.31 [7,9]	.16 [4,1]	1.31 [33,3]	.75 [19,1]	.31 [7,87]	.04 [1,02]	DED-9
214A521	1.15 [29,2]	1.11 [28,2]	.49 [12,2]	.42 [10,7]	.40 [10,2]	.21 [5,3]	1.53 [38,9]	.87 [22,1]	.31 [7,87]	.04 [1,02]	DAD-15
214A532	1.69 [42,9]	1.66 [42,2]	.49 [12,2]	.42 [10,7]	.55 [14,0]	.32 [8,1]	1.77 [45,0]	1.00 [25,4]	.31 [7,87]	.04 [1,02]	DBD-25
214A542	2.35 [59,7]	2.31 [58,7]	.49 [12,2]	.42 [10,7]	.68 [17,3]	.34 [8,6]	2.10 [53,3]	1.12 [28,4]	.31 [7,87]	.04 [1,02]	DCD-37
214A552	2.26 [57,4]	2.28 [57,9]	.60 [15,2]	.54 [13,7]	.75 [19,1]	.42 [10,7]	2.40 [61,0]	1.25 [31,8]	.31 [7,87]	.04 [1,02]	DDD-50

Raychem

RAYCHEM CORPORATION
300 CONSTITUTION DRIVE
MENLO PARK, CALIFORNIA 94025

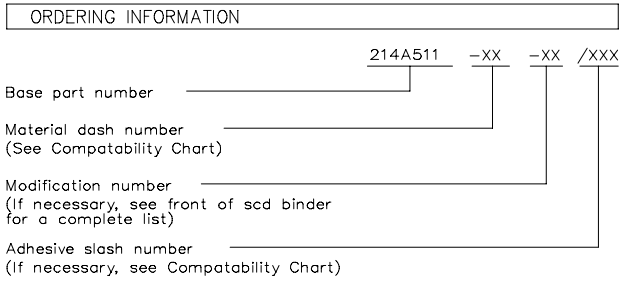
Revision : F
Date : 2/11/98

Part Number : 214A511 thru 552
Description : Boot, Rectangular, Straight Environmental, Subminiature

Thermofit[®] Molded Parts Specification Control Drawing

Part Number : 214A511 thru 552
Description : Boot, Rectangular, Straight Environmental, Subminiature

MATERIAL DASH NO.	MATERIAL DESCRIPTION	RT SPEC	COATING SLASH NO.	COATING S NO.	COATING DESCRIPTION
-3	Polyolefin, Semi-rigid	RT-301	/42	S-1017	Adhesive
-4	Polyolefin, Flexible	RT-1304	/42	S-1017	Adhesive
-25	Elastomer, Fluid Resistant	RT-1325	/86	S-1048	Adhesive



THIS DRAWING IS SUBJECT TO CHANGE WITHOUT NOTICE; CONSULT YOUR NEAREST FIELD REPRESENTATIVE FOR CURRENT REVISION

Raychem
RAYCHEM CORPORATION
300 CONSTITUTION DRIVE
MENLO PARK, CALIFORNIA 94025

Revision : F
Date : 2/11/98

Part Number : 214A511 thru 552
Description : Boot, Rectangular, Straight Environmental, Subminiature

X-ON Electronics

Largest Supplier of Electrical and Electronic Components

Click to view similar products for [Heat Shrink Cable Boots & End Caps](#) category:

Click to view products by [TE Connectivity](#) manufacturer:

Other Similar products are found below :

[577159N001](#) [007758-000](#) [610368N003](#) [645494-000](#) [M85049/141-02HU](#) [M85049/141-03HU](#) [M85049/141-04HU](#) [687025-000](#) [705331-000](#)
[718446-000](#) [725666N001](#) [729257-000](#) [F21914-000](#) [F27131-000](#) [F85868-000](#) [770-006A103R](#) [770-006A304W1](#) [770-006A305W1](#) [770-](#)
[006A308W1](#) [770-011T303W1](#) [770-011T304W1](#) [770-020S702W1](#) [770-020S704W1](#) [806138-000](#) [806542N001](#) [807507-000](#) [808059-000](#)
[808296-000](#) [808362-000](#) [808828-000](#) [809125-000](#) [809130-000](#) [809218-000](#) [811218-000](#) [811288-000](#) [812014-000](#) [812047-000](#) [813166-000](#)
[813767N002](#) [814417-000](#) [819115N001](#) [819117N001](#) [823026-000](#) [823070-000](#) [825002-000](#) [841189N001](#) [861471-000](#) [866647-000](#) [937577-](#)
[000](#) [950764-000](#)