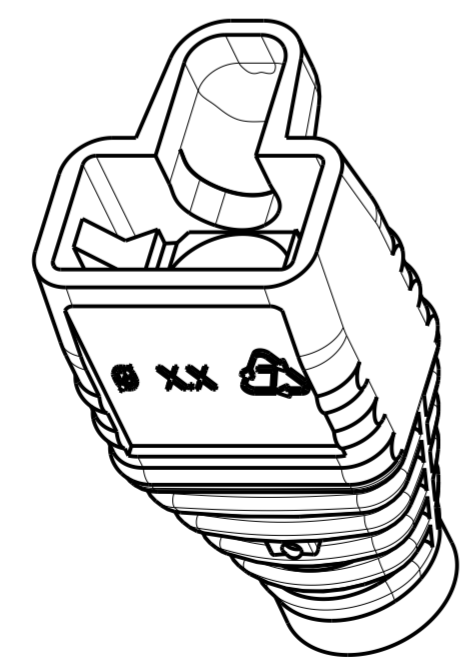
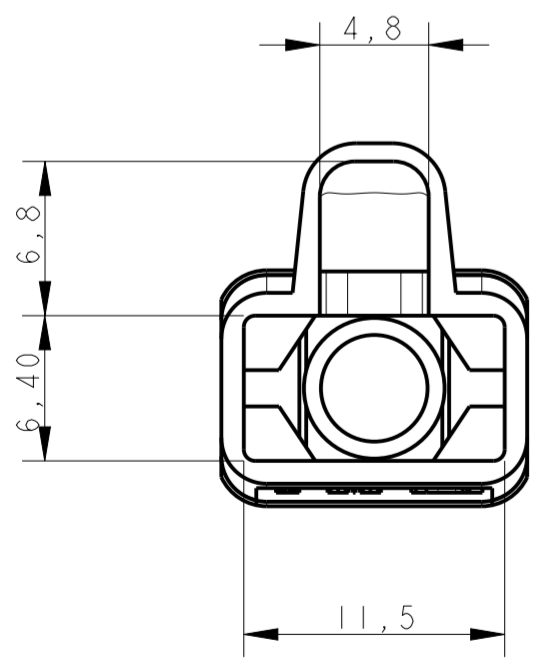
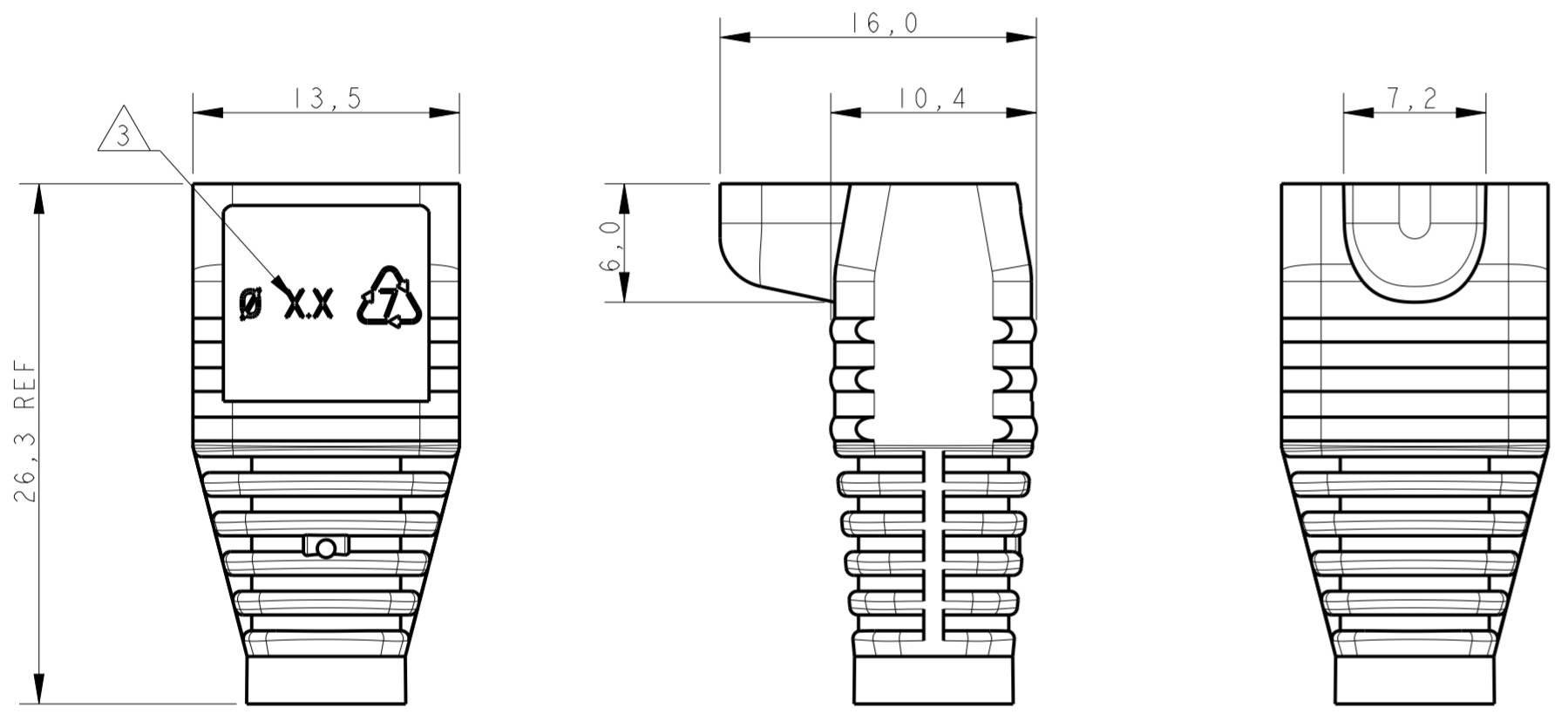


RELEASED FOR PUBLICATION  
 © 2016 COMMSCOPE, INC. CONFIDENTIAL  
 NOTICE: THESE DRAWINGS AND SPECIFICATIONS ARE THE PROPRIETARY PROPERTY OF COMMSCOPE, INC. AND MAY BE USED ONLY FOR THE SPECIFIC PURPOSE AUTHORIZED IN WRITING BY COMMSCOPE, INC.

REVISIONS				
P	LTR	DESCRIPTION	DATE	APVD
L		ECR-15-001017	26JAN2015	RM JS
M		REV; 40028721MCO	19FEB2016	GG JG
N		REV PER BNS_CD_BRAND	02FEB2017	GG DC

- 1 PACKAGING: SEE TABLE
- 2 MAY BE USED WITH
  - 336330
  - 336352
  - 1375202
  - 1375204
  - 1711345
- 3 MAXIMUM CABLE DIAMETER MARKING IN APPROX. AREA.
- 4 MATERIAL: TPE-S, UL LISTED. FLAME RATING UL94- HB.
- 5 PRODUCT SPEC:
  - 108-1990 or
  - 108-19102
- 6 APPLICATION SPEC:
  - 114-13035 or
  - 114-22008 or
  - 114-93006



PACKAGING QUANTITY	STATUS	APPLICABLE CABLE RANGE	MAX CABLE DIAM	COLOR	PART NUMBER
100	ACTIVE	Ø 5.3 - Ø 6.0	Ø 6.0	BLACK	9-737893-7
				YELLOW	9-737893-6
				GREEN	9-737893-5
				BLUE	9-737893-4
				RED	9-737893-3
				GREY	9-737893-2
				WHITE	9-737893-1
100	ACTIVE	Ø 4.7 - Ø 5.5	Ø 5.5	BLACK	8-737893-7
				YELLOW	8-737893-6
				GREEN	8-737893-5
				BLUE	8-737893-4
				RED	8-737893-3
				GREY	8-737893-2
				WHITE	8-737893-1
2400	ACTIVE	Ø 5.3 - Ø 6.0	Ø 6.0	BLACK	5-737893-7
				YELLOW	5-737893-6
				GREEN	5-737893-5
				BLUE	5-737893-4
				RED	5-737893-3
				GREY	5-737893-2
				WHITE	5-737893-1
2400	ACTIVE	Ø 4.7 - Ø 5.5	Ø 5.5	BLACK	4-737893-7
				YELLOW	4-737893-6
				GREEN	4-737893-5
				BLUE	4-737893-4
				RED	4-737893-3
				GREY	4-737893-2
				WHITE	4-737893-1
	SUPERSD BY	Ø 5.5 - Ø 6.0	Ø 6.0	BLACK	1-737893-7
				YELLOW	1-737893-6
				GREEN	1-737893-5
				BLUE	1-737893-4
				RED	1-737893-3
				GREY	1-737893-2
				WHITE	1-737893-1
				BLACK	737893-7
				YELLOW	737893-6
				GREEN	737893-5
				BLUE	737893-4
				RED	737893-3
				GREY	737893-2
				WHITE	737893-1

THIS DRAWING IS A CONTROLLED DOCUMENT.

DWN	L de Dias	27May08
CHK	R Sole	28May08
APVD	J Sanabra	30May08

**COMMSCOPE, INC.**

NAME: BOOT, 8 POSN, ROUND CABLE, MOD PLUG

SIZE: A2 CAGE CODE: - DRAWING NO: G-737893

SCALE: 3:1 SHEET: 1 OF 1 REV: N

## X-ON Electronics

Largest Supplier of Electrical and Electronic Components

*Click to view similar products for [Modular Connectors / Ethernet Connectors](#) category:*

*Click to view products by [TE Connectivity](#) manufacturer:*

Other Similar products are found below :

[8949-H88/06BLKA/SN](#) [74441-0010/BKN](#) [MP1010RX-1000](#) [MP44RX-1000](#) [PHJ-4P4C-1-V-4](#) [PHP-6P6C-5](#) [GAX-3-66](#) [GAX-8-62](#) [GDCX-PA-66-50](#) [GDCX-PN-64](#) [GDCX-PN-66](#) [GDCX-PN-66-50](#) [GDLX-A-66](#) [GDLX-N-66](#) [GDLX-S-66](#) [GDLX-S-88K](#) [GDTX-S-88-50](#) [GDX-PA-1010](#) [GLX-N-1010M-BLK](#) [GLX-S-88M-BLK](#) [GMX-N-1010](#) [GMX-S-1010](#) [GMX-S-66](#) [GMX-SMT4-N-88](#) [GPX-2-64](#) [GSGX-N-2-88](#) [GSGX-N-4-88](#) [GSX-NS2-88-3.05](#) [GSX-NS2-88-3.05-50](#) [GSX-NS-88-3.05-50](#) [PT-108A-8C-UL](#) [PT-J951-8C](#) [PTS-J531-8CS-50UL](#) [1-1775629-2](#) [A-2014-0-4](#) [GWLX-S-88-GR](#) [GWLX-S9-88-YG](#) [DC-1021-8-WH-6](#) [1300530003](#) [1324640-4](#) [RJ11FTVC2G](#) [RJ11FTVC2N](#) [RJFTVX2SA1G](#) [132764-001](#) [1413235](#) [MP88X-1000](#) [MPS88RX-5000](#) [E5288-S000K3-L](#) [E5908-15A242-L](#) [155302-001](#)