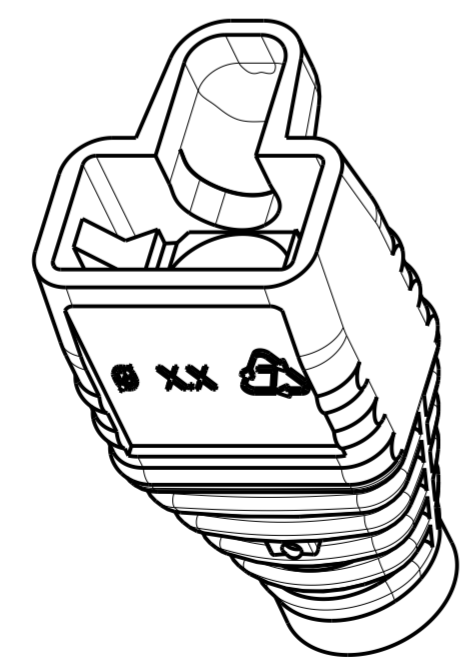
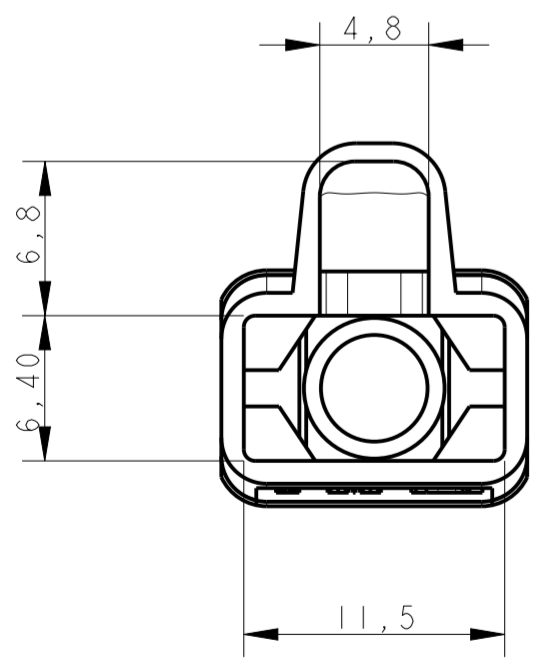
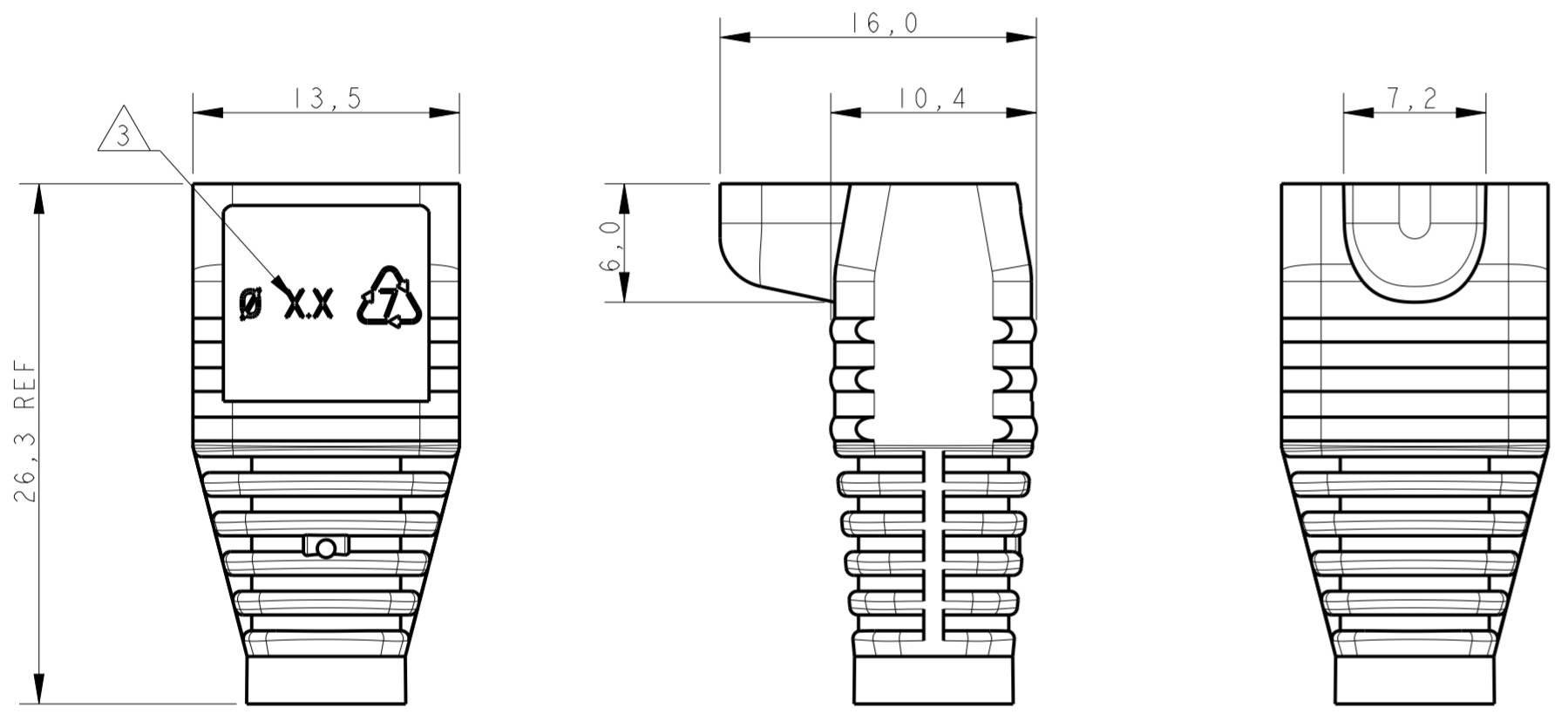


RELEASED FOR PUBLICATION
 © 2016 COMMSCOPE, INC. CONFIDENTIAL
 NOTICE: THESE DRAWINGS AND SPECIFICATIONS ARE THE PROPRIETARY PROPERTY OF COMMSCOPE, INC. AND MAY BE USED ONLY FOR THE SPECIFIC PURPOSE AUTHORIZED IN WRITING BY COMMSCOPE, INC.

REVISIONS				
P	LTR	DESCRIPTION	DATE	APVD
L		ECR-15-001017	26JAN2015	RM JS
M		REV; 40028721MCO	19FEB2016	GG JG
N		REV PER BNS_CD_BRAND	02FEB2017	GG DC

- 1 PACKAGING: SEE TABLE
- 2 MAY BE USED WITH
 - 336330
 - 336352
 - 1375202
 - 1375204
 - 1711345
- 3 MAXIMUM CABLE DIAMETER MARKING IN APPROX. AREA.
- 4 MATERIAL: TPE-S, UL LISTED. FLAME RATING UL94- HB.
- 5 PRODUCT SPEC:
 - 108-1990 or
 - 108-19102
- 6 APPLICATION SPEC:
 - 114-13035 or
 - 114-22008 or
 - 114-93006



PACKAGING QUANTITY	STATUS	APPLICABLE CABLE RANGE	MAX CABLE DIAM	COLOR	PART NUMBER
100	ACTIVE	Ø5.3 - Ø6.0	Ø6.0	BLACK	9-737893-7
				YELLOW	9-737893-6
				GREEN	9-737893-5
				BLUE	9-737893-4
				RED	9-737893-3
				GREY	9-737893-2
				WHITE	9-737893-1
100	ACTIVE	Ø4.7 - Ø5.5	Ø5.5	BLACK	8-737893-7
				YELLOW	8-737893-6
				GREEN	8-737893-5
				BLUE	8-737893-4
				RED	8-737893-3
				GREY	8-737893-2
				WHITE	8-737893-1
2400	ACTIVE	Ø5.3 - Ø6.0	Ø6.0	BLACK	5-737893-7
				YELLOW	5-737893-6
				GREEN	5-737893-5
				BLUE	5-737893-4
				RED	5-737893-3
				GREY	5-737893-2
				WHITE	5-737893-1
2400	ACTIVE	Ø4.7 - Ø5.5	Ø5.5	BLACK	4-737893-7
				YELLOW	4-737893-6
				GREEN	4-737893-5
				BLUE	4-737893-4
				RED	4-737893-3
				GREY	4-737893-2
				WHITE	4-737893-1
	SUPERSD BY	Ø5.5 - Ø6.0	Ø6.0	BLACK	1-737893-7
				YELLOW	1-737893-6
				GREEN	1-737893-5
				BLUE	1-737893-4
				RED	1-737893-3
				GREY	1-737893-2
				WHITE	1-737893-1
		Ø5.0 - Ø5.5	Ø5.5	BLACK	737893-7
				YELLOW	737893-6
				GREEN	737893-5
				BLUE	737893-4
				RED	737893-3
				GREY	737893-2
				WHITE	737893-1

THIS DRAWING IS A CONTROLLED DOCUMENT.

DWN	L de Dias	27May08
CHK	R Sole	28May08
APVD	J Sanabra	30May08

COMMSCOPE, INC.

NAME: BOOT, 8 POSN, ROUND CABLE, MOD PLUG

SIZE: A2 CAGE CODE: - DRAWING NO: G-737893

RESTRICTED TO: -

SCALE: 3:1 SHEET: 1 OF 1 REV: N

X-ON Electronics

Largest Supplier of Electrical and Electronic Components

Click to view similar products for [Heat Shrink Cable Boots & End Caps](#) category:

Click to view products by [TE Connectivity](#) manufacturer:

Other Similar products are found below :

[577159N001](#) [645494-000](#) [CX4132-000](#) [687025-000](#) [705331-000](#) [718446-000](#) [725666N001](#) [729257-000](#) [F27131-000](#) [F85868-000](#) [770-003S106W2](#) [806542N001](#) [807507-000](#) [808059-000](#) [808362-000](#) [808618-000](#) [809125-000](#) [809130-000](#) [809218-000](#) [812014-000](#) [812047-000](#) [813166-000](#) [813767N002](#) [814741-000](#) [819117N001](#) [823026-000](#) [823070-000](#) [825002-000](#) [841189N001](#) [861471-000](#) [866647-000](#) [879515-000](#) [937577-000](#) [957073-000](#) [982033-2](#) [A77813-000](#) [R280576000](#) [D96192-000](#) [163549-000](#) [MTPSRBCL-C](#) [1954015-1](#) [200W531-3-0](#) [202A163-4-0-CS5067](#) [202A343-3-00-0](#) [202B221-13-0](#) [202B231-13-0](#) [202B563-25-07-0](#) [202C241-13-0](#) [202D121-4-01/86-0](#) [202D132-4-07/42-0](#)