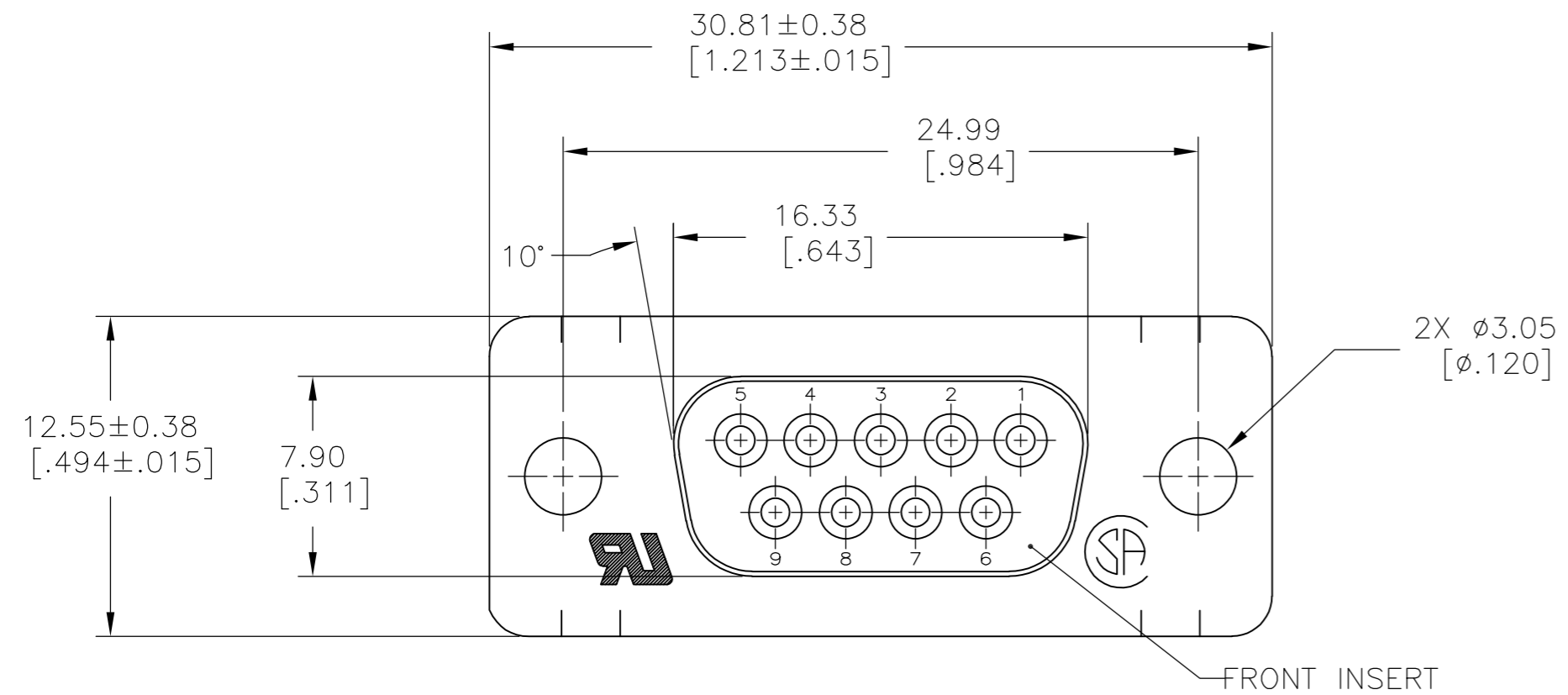
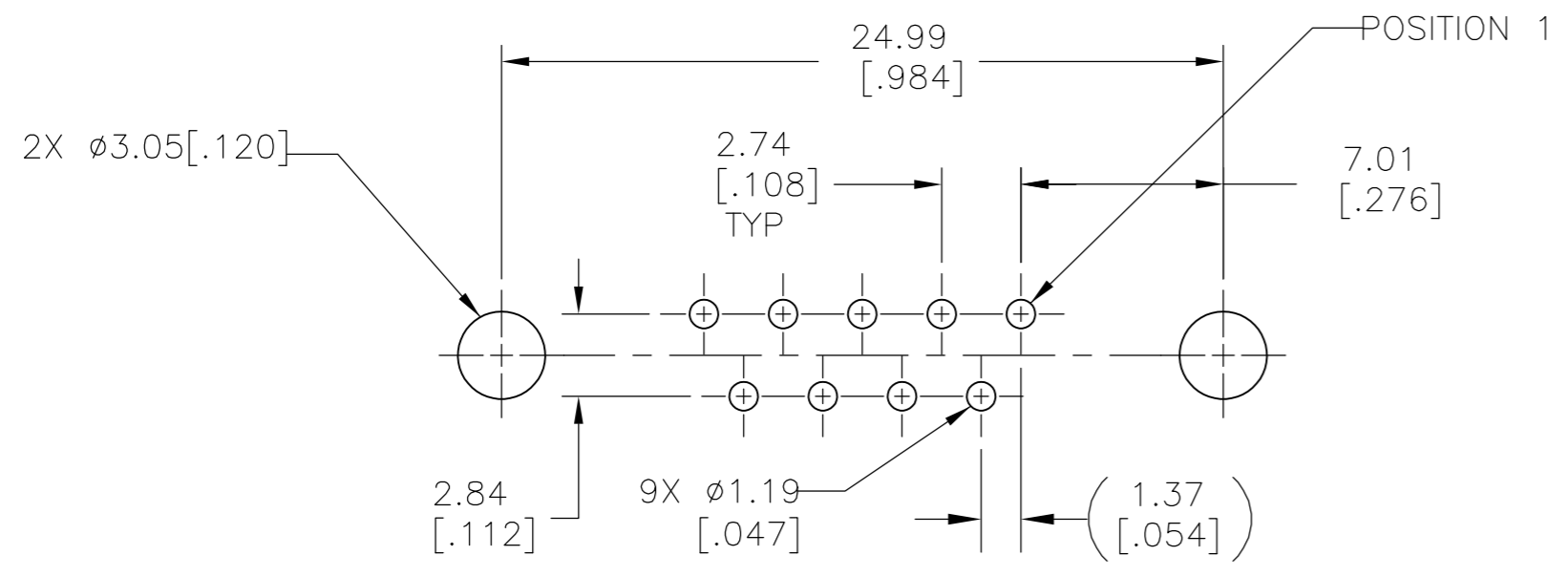
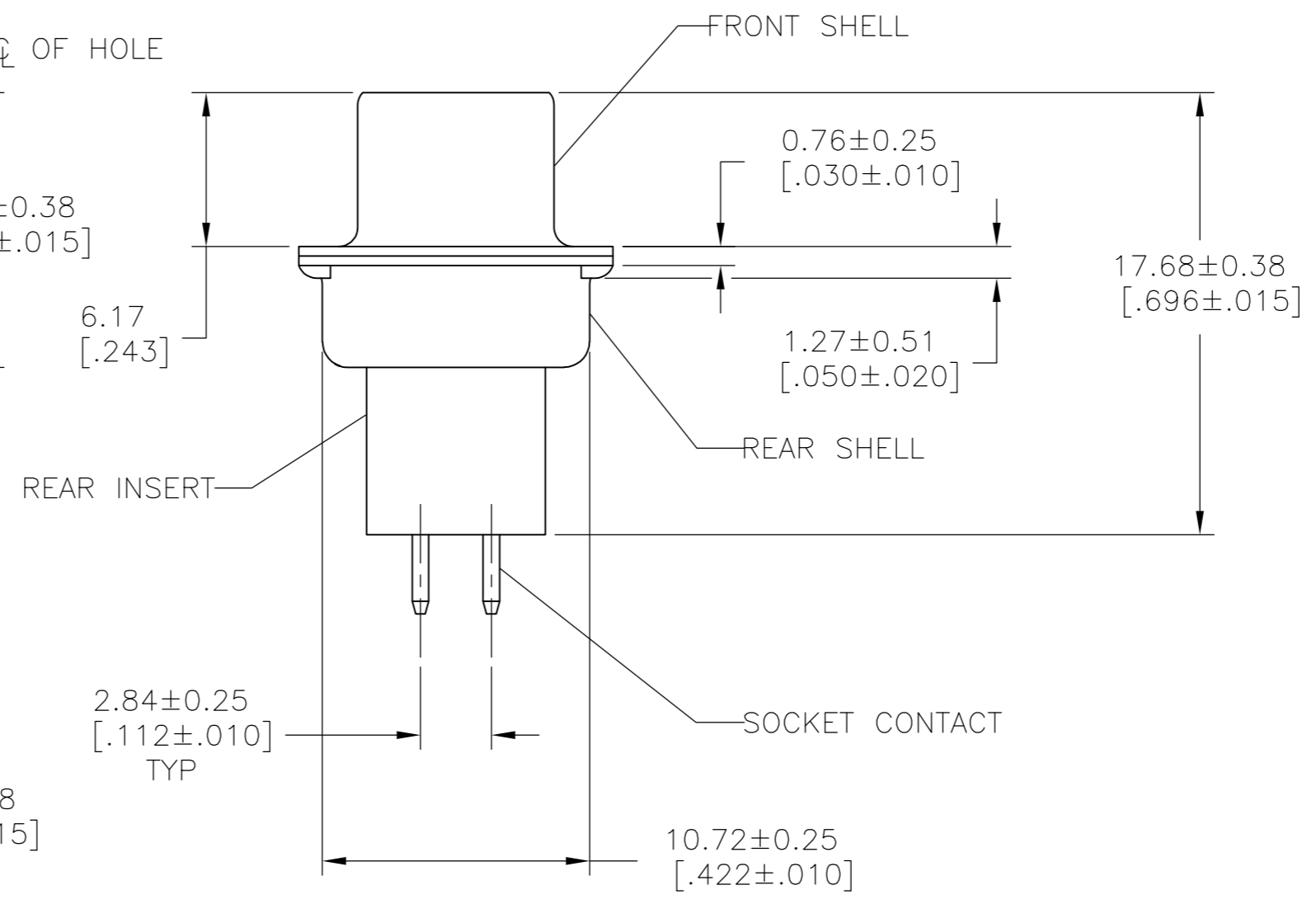
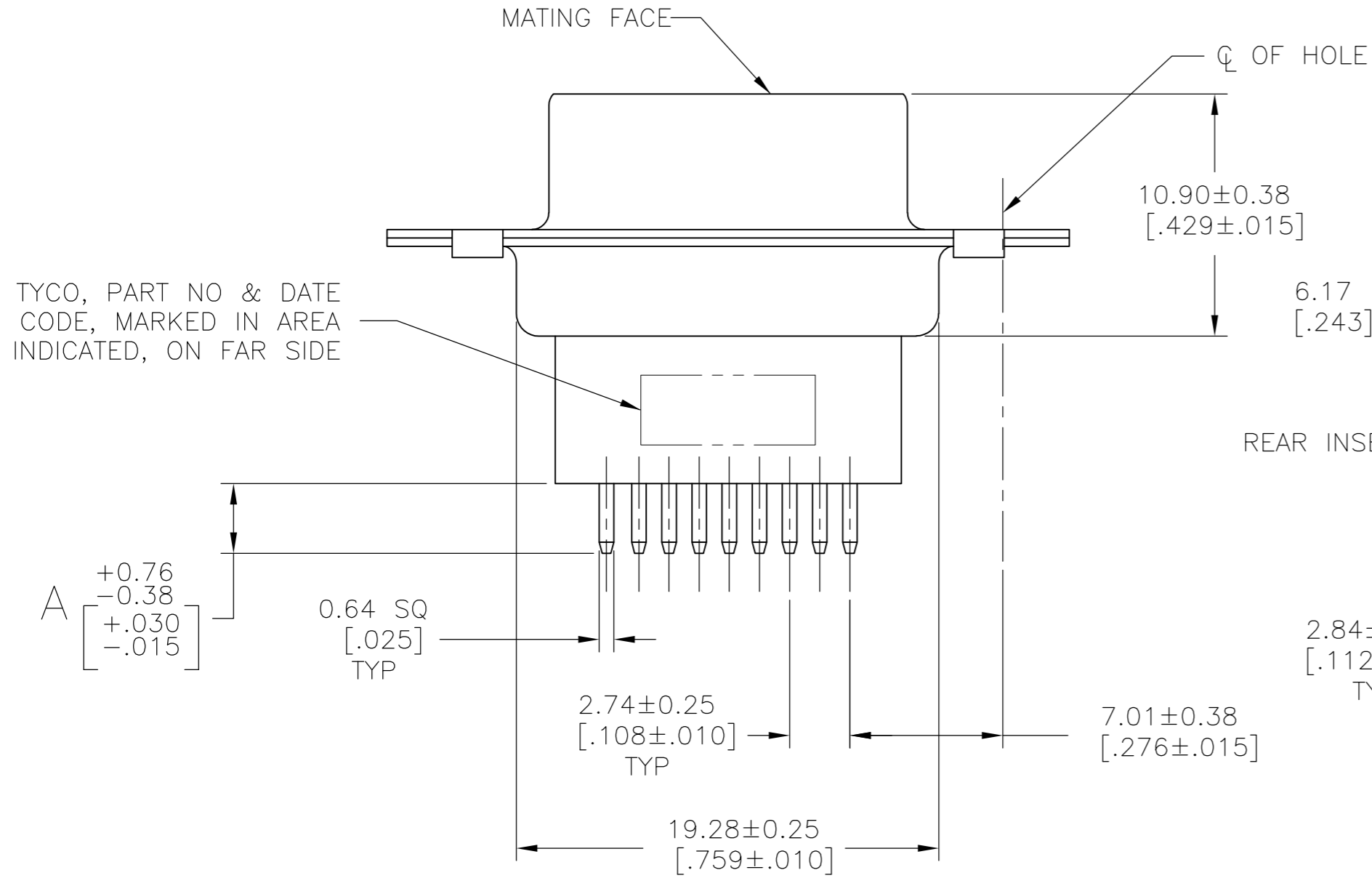


THIS DRAWING IS UNPUBLISHED. RELEASED FOR PUBLICATION
 © COPYRIGHT 2005 By - ALL RIGHTS RESERVED.

| LOC | | DIST | | REVISIONS | | | |
|-----|-----|---------------------------|-----------|-----------|------|--|--|
| P | LTR | DESCRIPTION | DATE | DWN | APVD | | |
| GP | 00 | | | | | | |
| | D | REVISED PER ECO-14-011808 | 11AUG2014 | AP | SB | | |



- ⚠ MOLDED PARTS: GLASS-FILLED PBT OR GLASS-FILLED NYLON, UL94V-0 RATED. COLOR: BLACK.
SHELLS: CARBON STEEL
CONTACTS: PHOS BRONZE
- ⚠ SHELLS: $5.08 \mu\text{m}$ [.000200] MIN TIN OVER $2.54 \mu\text{m}$ [.000100] MIN COPPER.
CONTACTS: SEE TABLE
- ⚠ $0.76 \mu\text{m}$ [.000030] MIN GOLD ON MATING END, $2.54 \mu\text{m}$ [.000100] MIN TIN ON SOLDER END, BOTH OVER $1.27 \mu\text{m}$ [.000050] MIN NICKEL
-OR-
GOLD FLASH OVER PALLADIUM-NICKEL, $0.76 \mu\text{m}$ [.000030] MIN TOTAL ON MATING END, $2.54 \mu\text{m}$ [.000100] MIN TIN ON SOLDER END, BOTH OVER $1.27 \mu\text{m}$ [.000050] MIN NICKEL.
- ⚠ GOLD FLASH ON SOLDER END, $2.54 \mu\text{m}$ [.000100] MIN TIN ON SOLDER END, BOTH OVER $1.27 \mu\text{m}$ [.000050] MIN NICKEL.



P.C. BOARD MOUNTING DIMENSIONS

| | | |
|-------------|-----------------|-------------|
| ⚠ | 4.78 [.188] | 5745183-7 |
| ⚠ | 10.85 [.427] | 5745183-3 |
| ⚠ | 3.18 [.125] | 5745183-2 |
| ⚠ | 3.18 [.125] | 5745183-1 |
| GOLD FINISH | A | PART NUMBER |

| | | | | |
|--|--|---------------------------------|---|-----------|
| THIS DRAWING IS A CONTROLLED DOCUMENT. | | DWN B. LATTUCA 07SEPT05 | | |
| DIMENSIONS: mm [INCHES] | | CHK S. BOLASH 07SEPT05 | | |
| TOLERANCES UNLESS OTHERWISE SPECIFIED: | | APVD M. WALMSLEY 07SEPT05 | NAME | |
| 0 PLC ± - | | PRODUCT SPEC | RECEPTACLE ASSY, SIZE 1, 9 POS, VERTICAL, AMPLIMITE HDP | |
| 1 PLC ± - | | APPLICATION SPEC | SIZE | CAGE CODE |
| 2 PLC ± 0.13 [.005] | | 114-40013 | A2 | 00779 |
| 3 PLC ± - | | WEIGHT | DRAWING NO | |
| 4 PLC ± - | | - | C=5745183 | |
| ANGLES ± 2° | | CUSTOMER DRAWING | SCALE | SHEET |
| FINISH | | 1 | NTS | 1 OF 1 |
| MATERIAL | | 2 | REV | D |

X-ON Electronics

Largest Supplier of Electrical and Electronic Components

Click to view similar products for [D-Sub Standard Connectors](#) category:

Click to view products by [TE Connectivity](#) manufacturer:

Other Similar products are found below :

[56F711-015](#) [012-9507-004](#) [LV242999-142T12](#) [015-0341-000](#) [015-0372-005](#) [015-0372-008](#) [015-8755-001](#) [020419-0104](#) [012-0467-000](#) [012-0515-000](#) [012-9507-034](#) [012-9507-114](#) [020745-0008](#) [609-25P](#) [M24308/2-23Z](#) [CT2-14S-2PCA34](#) [CT2-18-11PCAU](#) [CT6-10SL-3SC](#) [CT6-10SL-4SC](#) [CT6-14S-2SC](#) [CT6E14SA7SC](#) [M83513/01-FC](#) [M83723/76W24619 L/C](#) [M85049/48-3-2F](#) [6STD09PCM99B70X](#) [6STD09SCM99B30X](#) [6STD09SCT99S40X](#) [6STD15PCT99S40X](#) [6STD15SCM99B30X](#) [6STD15SCT99S40X](#) [6STF09PCM05B70X](#) [7-135760-9](#) [MC11E-10-6SN](#) [747552-3](#) [MD1-21PS](#) [MDM-15SCBRM7-F222](#) [MDM96517-699](#) [MDM96521-744](#) [MDVB1-21SL1](#) [MIK0-1-7SH003](#) [MIKQ6-7SH076](#) [MIKQ7-7PH077](#) [MIKQ7-7PH11](#) [MIKQ7-7PH32](#) [MJSV-28SL61](#) [MKJ4A1F14-55S](#) [8-135760-3](#) [8STD09PCM99B30X](#) [PG-KV/PV-16-GROM-SEALING](#) [GDA15P](#)