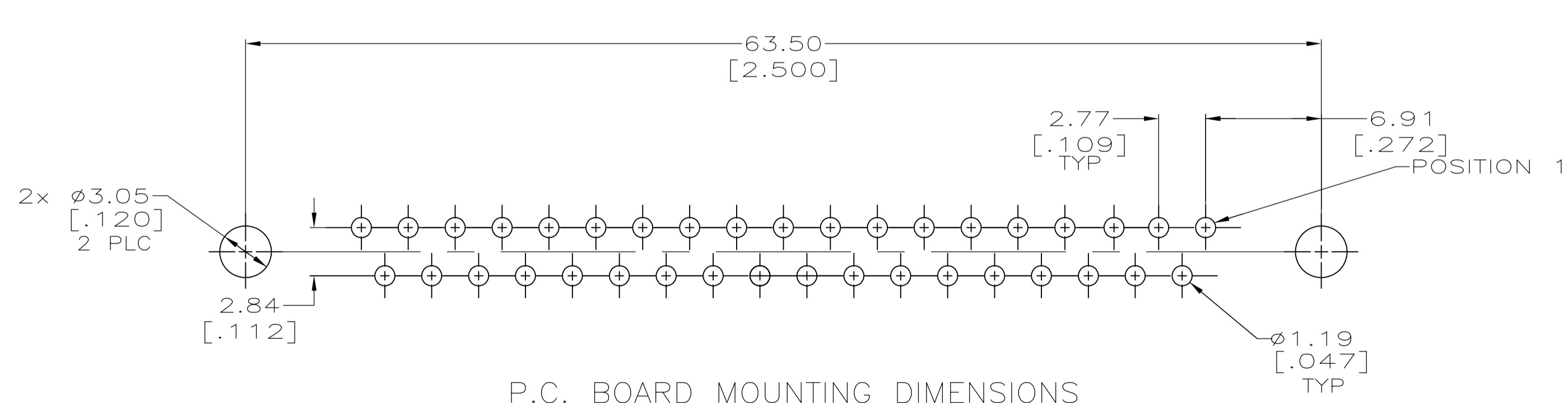
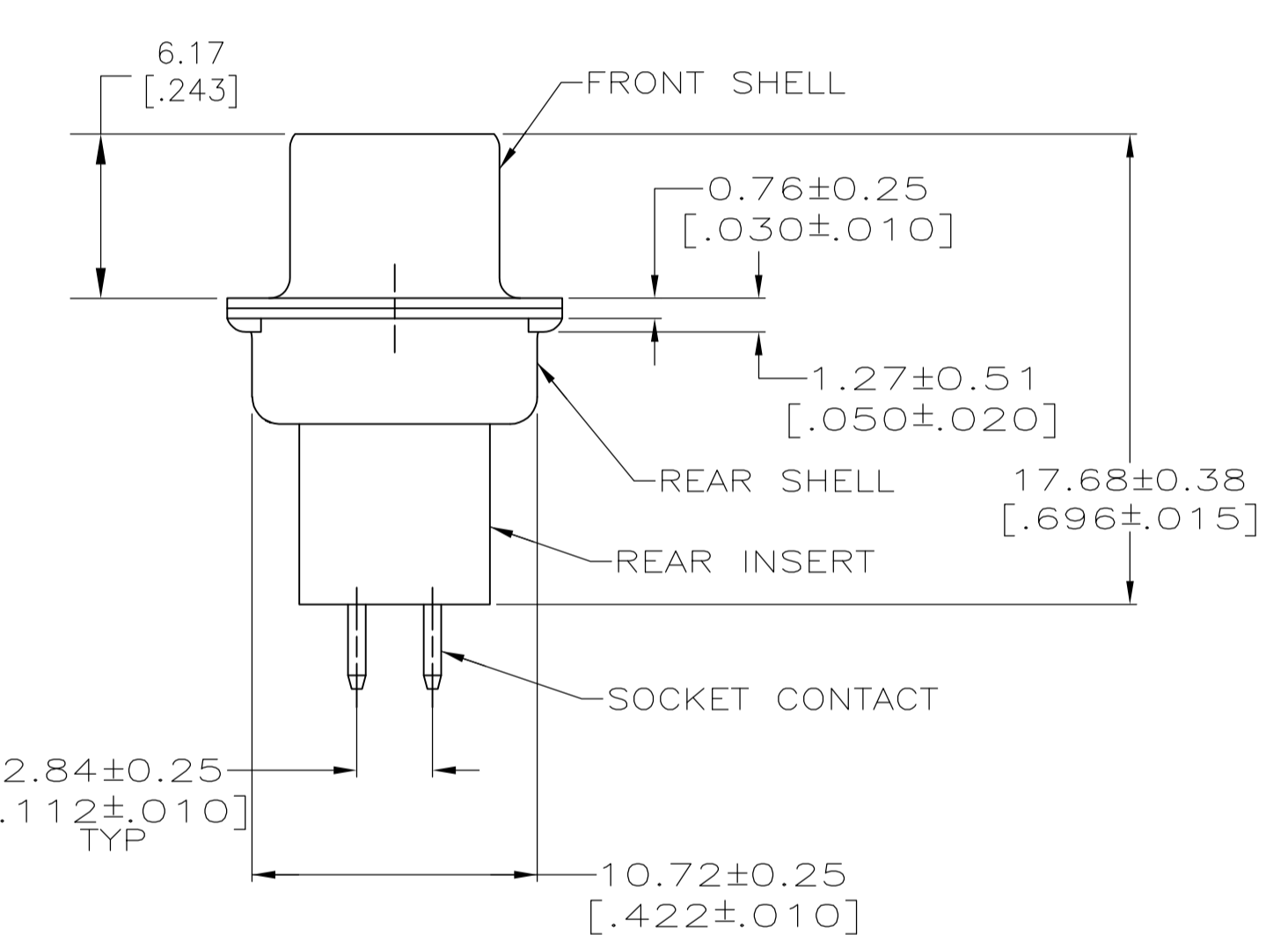
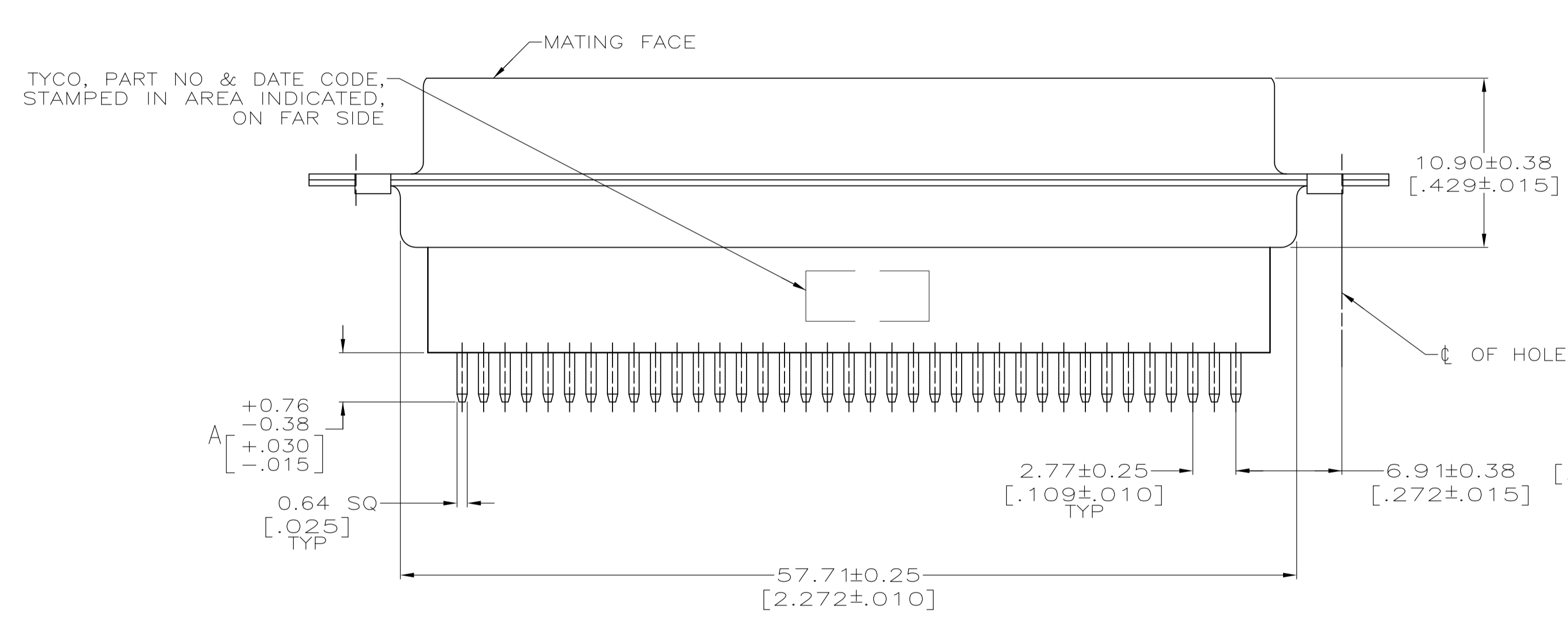
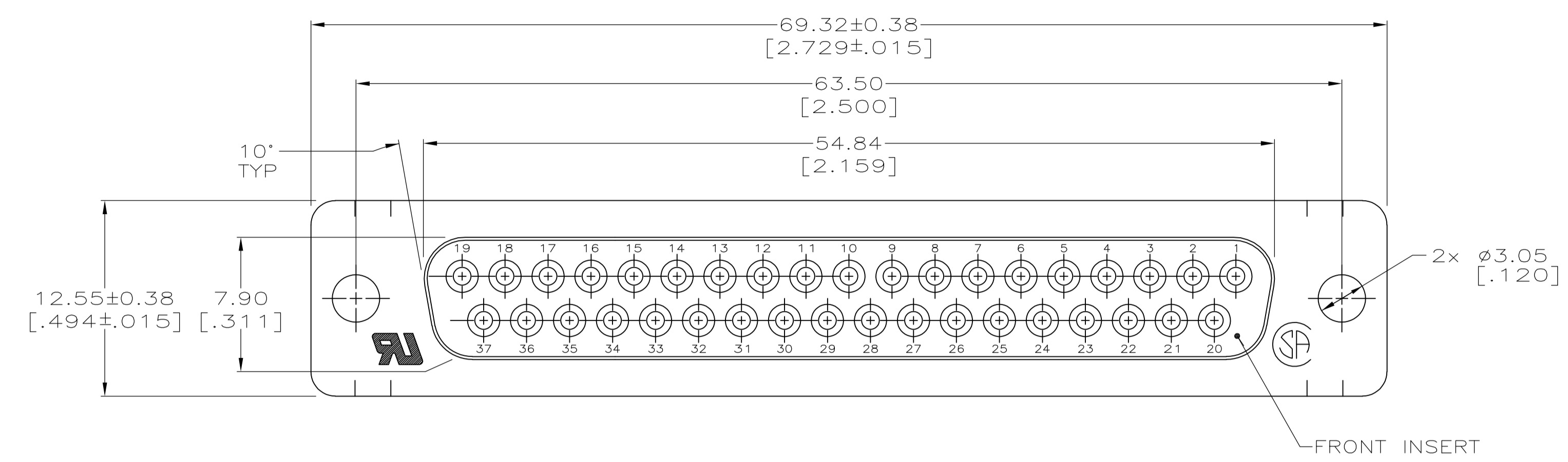


LOC		DIST		REVISIONS			
GP	00	REV	DATE	BY	CHK	APPV	
C		REVISED PER ECO-10-000073	2FEB2010	CJV	SB		

- ⚠ INSERTS: FLAME RETARDANT 94V-0 RATED THERMOPLASTIC; BLACK.  
SHELLS: CARBON STEEL.  
CONTACTS: PHOS BRONZE.
- ⚠ SHELLS: 5.08μm [.000200] MIN TIN OVER 2.54μm [.000100] MIN COPPER.  
CONTACTS: 0.76μm [.000030] MIN GOLD ON MATING SOLDER END, 2.54μm [.000100] MIN TIN ON SOLDER END, 1.27μm [.000050] MIN NICKEL  
-OR-  
GOLD FLASH OVER PALLADIUM-NICKEL 0.76μm [.000030] MIN TOTAL ON MATING END, 2.54μm [.000100] MIN TIN ON SOLDER END, 1.27μm [.000050] MIN NICKEL.



4.78 [.188]	5745189-7
3.18 [.125]	5745189-1
DIM A	PART NUMBER

THIS DRAWING IS A CONTROLLED DOCUMENT.

DIMENSIONS: INCHES	TOLERANCES UNLESS OTHERWISE SPECIFIED:	DIN B. LATTUCA 14SEPT05	Tyco Electronics Corporation
0 PLC ± -	1 PLC ± -	CHK S. BOLASH 14SEPT05	Harrisburg, PA 17105-3608
1 PLC ± -	2 PLC ± 0.13 [.005]	APPV M. WALMSLEY 14SEPT05	RECEPTACLE ASSY, SIZE 4, 37 POS, VERTICAL, AMPLIMITE HDP
3 PLC ± -	4 PLC ± -	NAME	SIZE CAGE CODE DRAWING NO
4 PLC ± -	ANGLES ± °	108-40025	A1 00779 C=5745189
MATERIAL	FINISH	114-40013	RESTRICTED TO
1	2	WEIGHT	CUSTOMER DRAWING
		SCALE NTS	SHEET 1 OF 1 REV C

## X-ON Electronics

Largest Supplier of Electrical and Electronic Components

*Click to view similar products for [D-Sub Standard Connectors](#) category:*

*Click to view products by [TE Connectivity](#) manufacturer:*

Other Similar products are found below :

[56F711-015](#) [012-9507-004](#) [LV242999-142T12](#) [015-0341-000](#) [015-0349-000](#) [015-0372-005](#) [015-0372-008](#) [015-8755-001](#) [020419-0104](#) [012-0467-000](#) [012-0515-000](#) [012-9507-034](#) [012-9507-114](#) [020745-0008](#) [609-25P](#) [M24308/2-23Z](#) [CT2-14S-2PCA34](#) [CT2-18-11PCAU](#) [CT2-36-15SC](#) [CT6-14S-2SC](#) [CT6E14SA7SC](#) [CT6E22-14PC](#) [CT6E22-14PS](#) [CT6E22-22PS](#) [M83513/01-FC](#) [M85049/48-3-2F](#) [6STD09PCM99B70X](#) [6STD09SCM99B30X](#) [6STD09SCT99S40X](#) [6STD15PCT99S40X](#) [6STD15SCM99B30X](#) [6STD15SCT99S40X](#) [6STF09PCM05B70X](#) [7-135760-9](#) [MC11E-10-6SN](#) [747552-3](#) [MD1-21PS](#) [MDM-15SCBRM7-F222](#) [MDM96517-699](#) [MDM96521-744](#) [MDVB1-21SL1](#) [MIK0-1-7SH003](#) [MIKQ6-7SH076](#) [MIKQ7-7PH077](#) [MIKQ7-7PH11](#) [MIKQ7-7PH32](#) [MIKQ9-7PH003](#) [MJSV-28SL61](#) [MKJ4A1F14-55S](#) [8-135760-3](#)