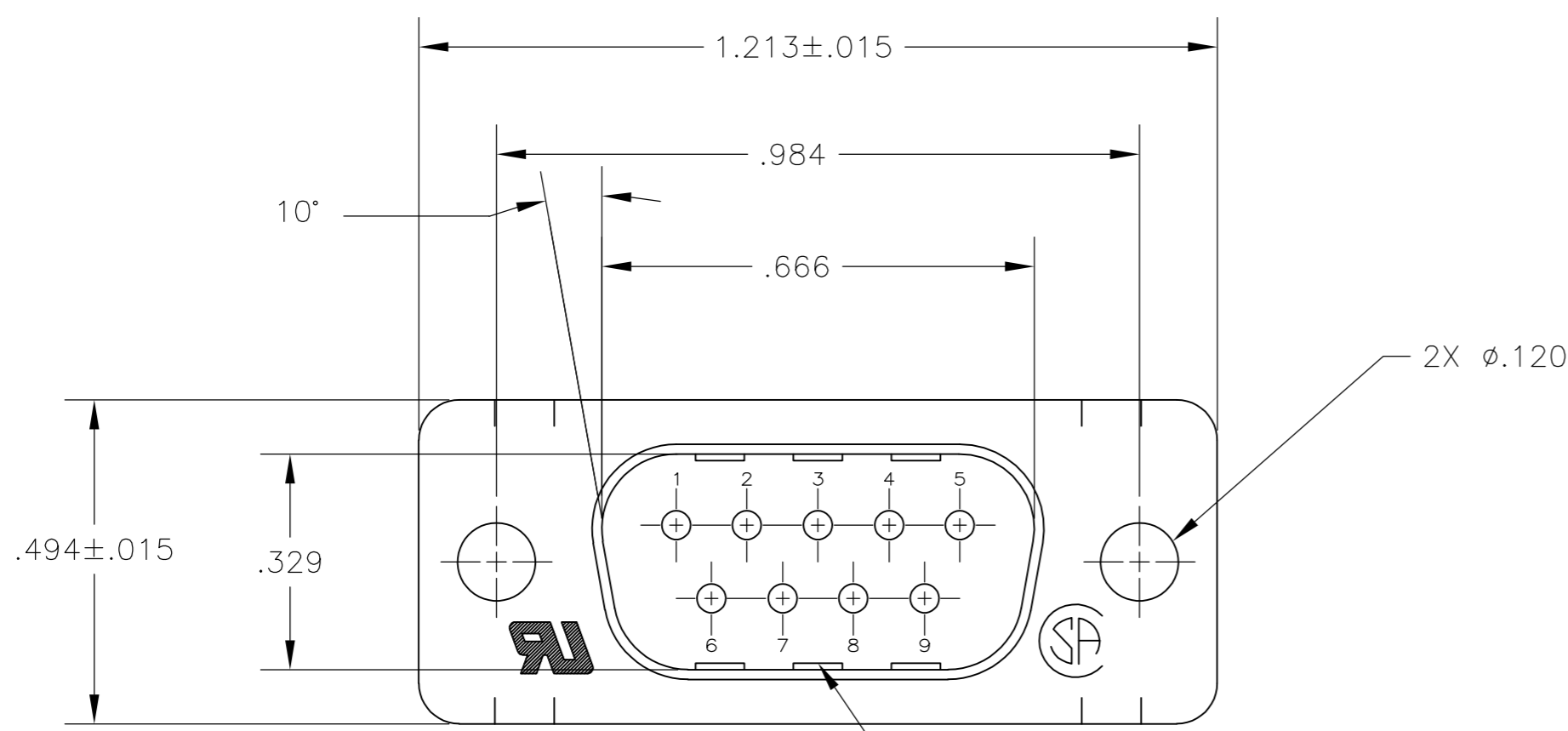
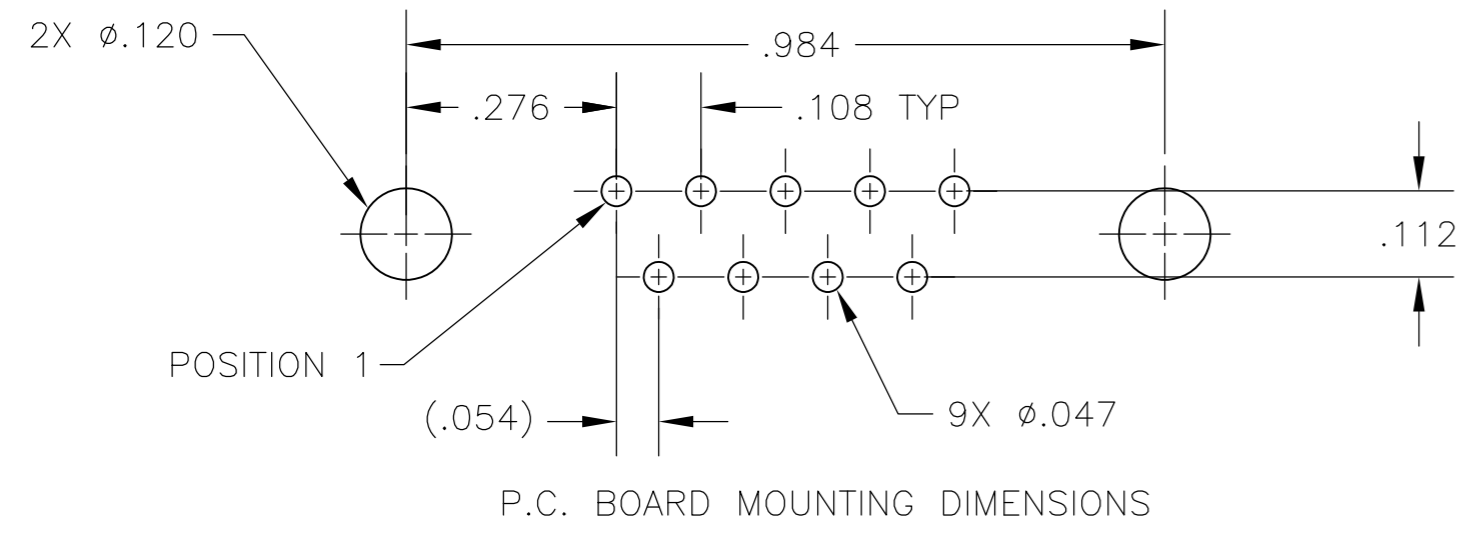
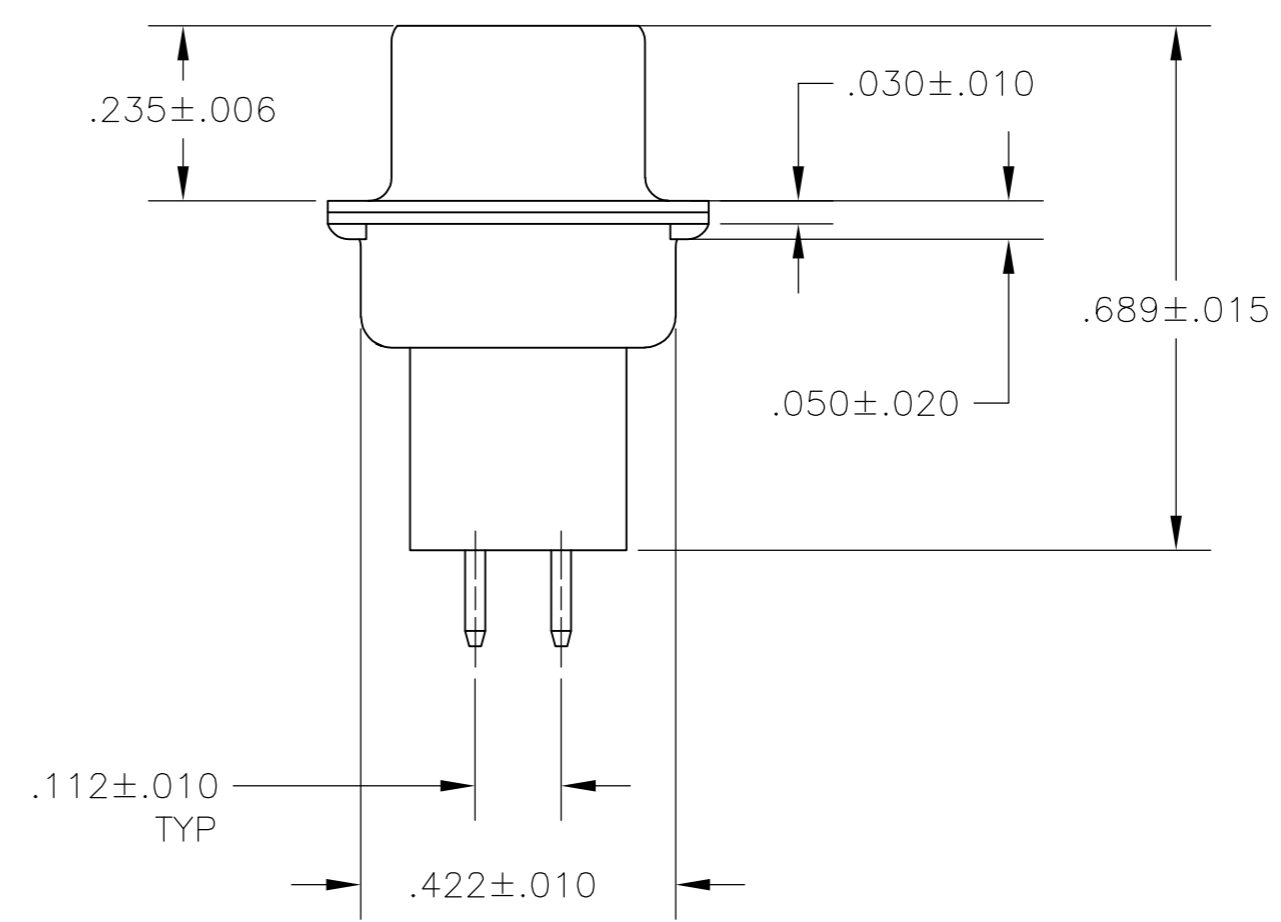
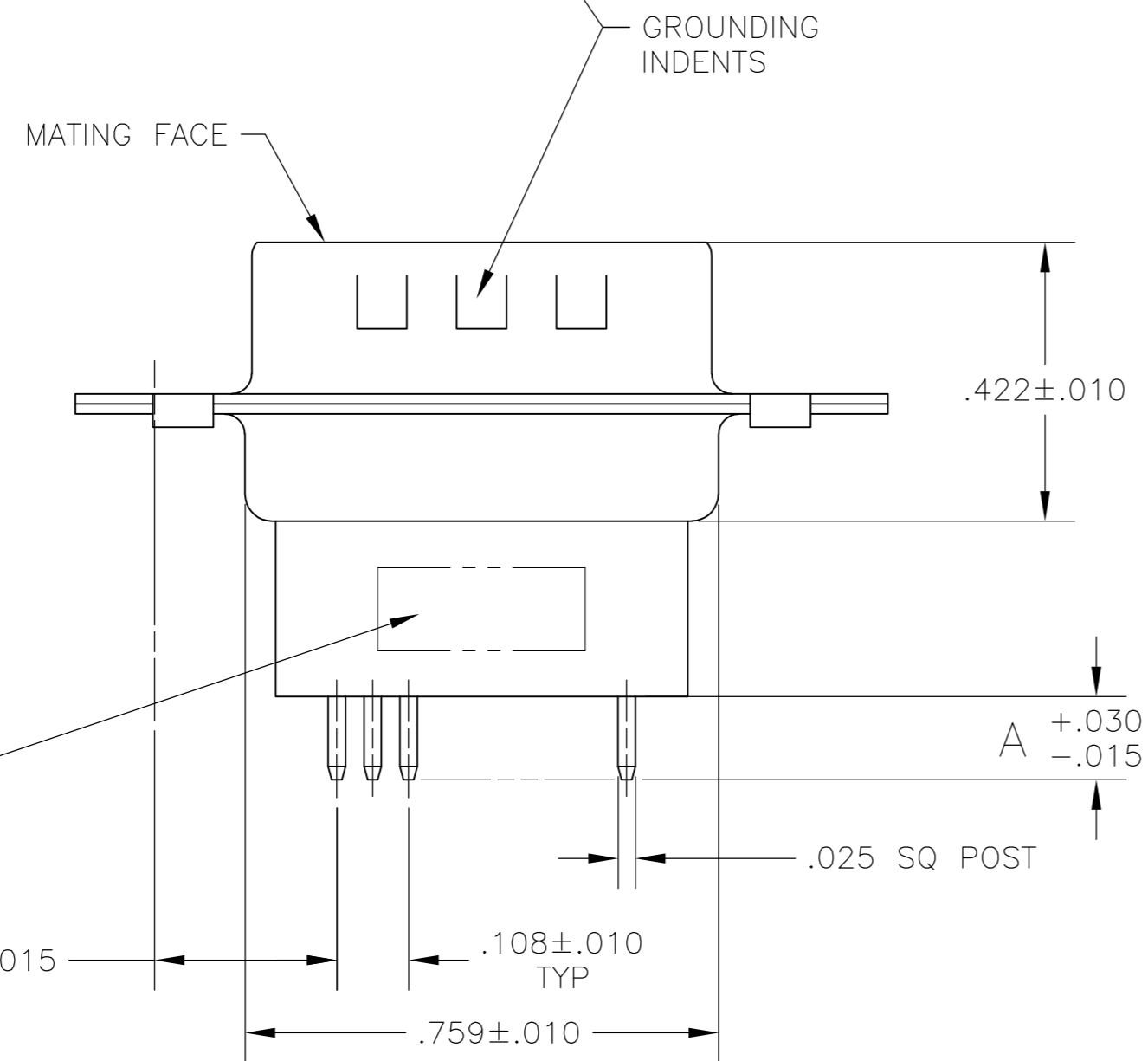


THIS DRAWING IS UNPUBLISHED. RELEASED FOR PUBLICATION
 © COPYRIGHT 2005 By - ALL RIGHTS RESERVED.

| Loc | | DIST | | REVISIONS | | | |
|-----|-----|-------------|---------------------------|-----------|-----|------|--|
| P | LTR | DESCRIPTION | | DATE | DWN | APVD | |
| GP | 00 | D | REVISED PER ECO-14-011808 | 11AUG2014 | AP | SB | |



- 1 MOLDED PARTS: GLASS-FILLED PBT OR GLASS-FILLED NYLON, UL94V-0 RATED. COLOR: BLACK.
SHELLS: CARBON STEEL
CONTACTS: BRASS
- 2 SHELLS: .000200 MIN TIN OVER .000100 MIN COPPER.
CONTACTS: GOLD PLATING FOR A LENGTH OF .150 MIN FROM MATING END, .000030 MIN GOLD IN MATED AREA, .000100 MIN TIN ON SOLDER END, BOTH OVER .000050 MIN NICKEL.
-OR-
GOLD FLASH OVER PALLADIUM-NICKEL PLATED FOR A LENGTH OF .150 MIN FROM MATING END, .000030 MIN TOTAL IN MATED AREA, .000100 MIN TIN ON SOLDER END, BOTH OVER .000050 MIN NICKEL.



| | |
|------|-----------|
| .188 | 5745410-7 |
| .125 | 5745410-1 |
| A | PART NO |

| | | | | |
|--|--|------------------|-------------|---|
| THIS DRAWING IS A CONTROLLED DOCUMENT. | | DWN | 15SEPT05 | STE TE Connectivity |
| DIMENSIONS: INCHES | | CHK | 15SEPT05 | |
| TOLERANCES UNLESS OTHERWISE SPECIFIED: | | APVD | 15SEPT05 | |
| 0 PLC ± - 1 PLC ± - 2 PLC ± - 3 PLC ± .005 4 PLC ± - ANGLES ± - FINISH ± - | | NAME | M. WALMSLEY | |
| MATERIAL | | PRODUCT SPEC | | PLUG ASSEMBLY, SIZE 1, 9 POSN, VERTICAL, .025 SQ. POSTS, GROUNDING INDENTS, AMPLIMITE HDP |
| 1 | | APPLICATION SPEC | | SIZE |
| 2 | | WEIGHT | | CAGE CODE |
| CUSTOMER DRAWING | | SCALE | | DRAWING NO |
| | | SHEET | | RESTRICTED TO |
| | | 1 of 1 | | REV |
| | | NTS | | D |

5745410

X-ON Electronics

Largest Supplier of Electrical and Electronic Components

Click to view similar products for [D-Sub Standard Connectors](#) category:

Click to view products by [TE Connectivity](#) manufacturer:

Other Similar products are found below :

[56F711-015](#) [012-9507-004](#) [LV242999-142T12](#) [015-0341-000](#) [015-0349-000](#) [015-0372-005](#) [015-0372-008](#) [015-8755-001](#) [020419-0104](#) [012-0467-000](#) [012-0515-000](#) [012-9507-034](#) [012-9507-114](#) [020745-0008](#) [609-25P](#) [CT2-14S-2PCA34](#) [CT2-18-11PCAU](#) [CT2-36-15SC](#) [CT6-14S-2SC](#) [CT6E14SA7SC](#) [CT6E22-14PC](#) [CT6E22-14PS](#) [CT6E22-22PS](#) [M83513/01-FC](#) [M85049/48-3-2F](#) [6STD09PCM99B70X](#) [6STD09SCM99B30X](#) [6STD09SCT99S40X](#) [6STD15PCT99S40X](#) [6STD15SCM99B30X](#) [6STD15SCT99S40X](#) [6STF09PCM05B70X](#) [7-135760-9](#) [MC11E-10-6SN](#) [747552-3](#) [MD1-21PS](#) [MDM-15SCBRM7-F222](#) [MDM96517-699](#) [MDM96521-744](#) [MDVB1-21SL1](#) [MIK0-1-7SH003](#) [MIKQ6-7SH076](#) [MIKQ7-7PH077](#) [MIKQ7-7PH11](#) [MIKQ7-7PH32](#) [MIKQ9-7PH003](#) [MJSV-28SL61](#) [MKJ4A1F14-55S](#) [8-135760-3](#) [8STD09PCM99B30X](#)