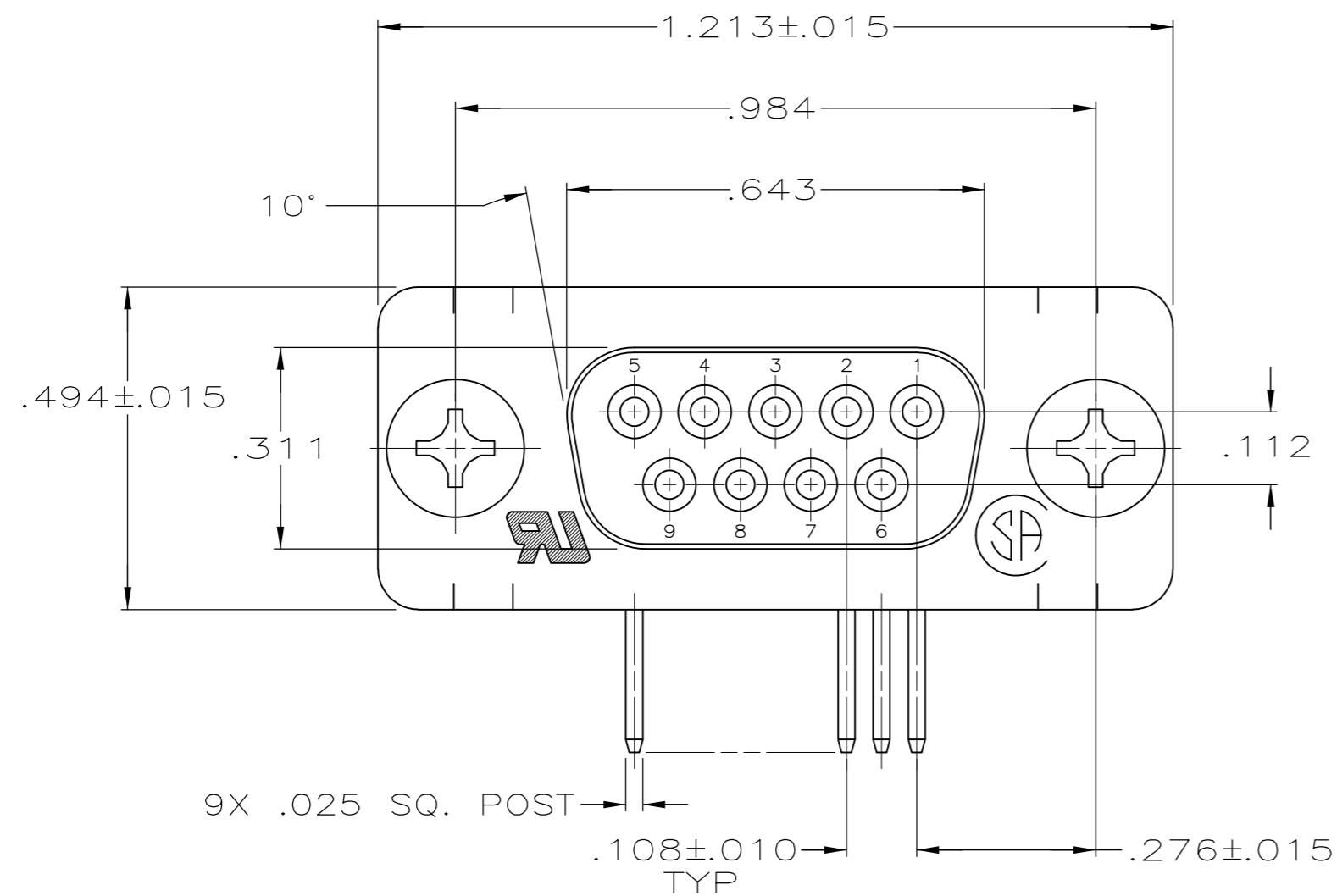
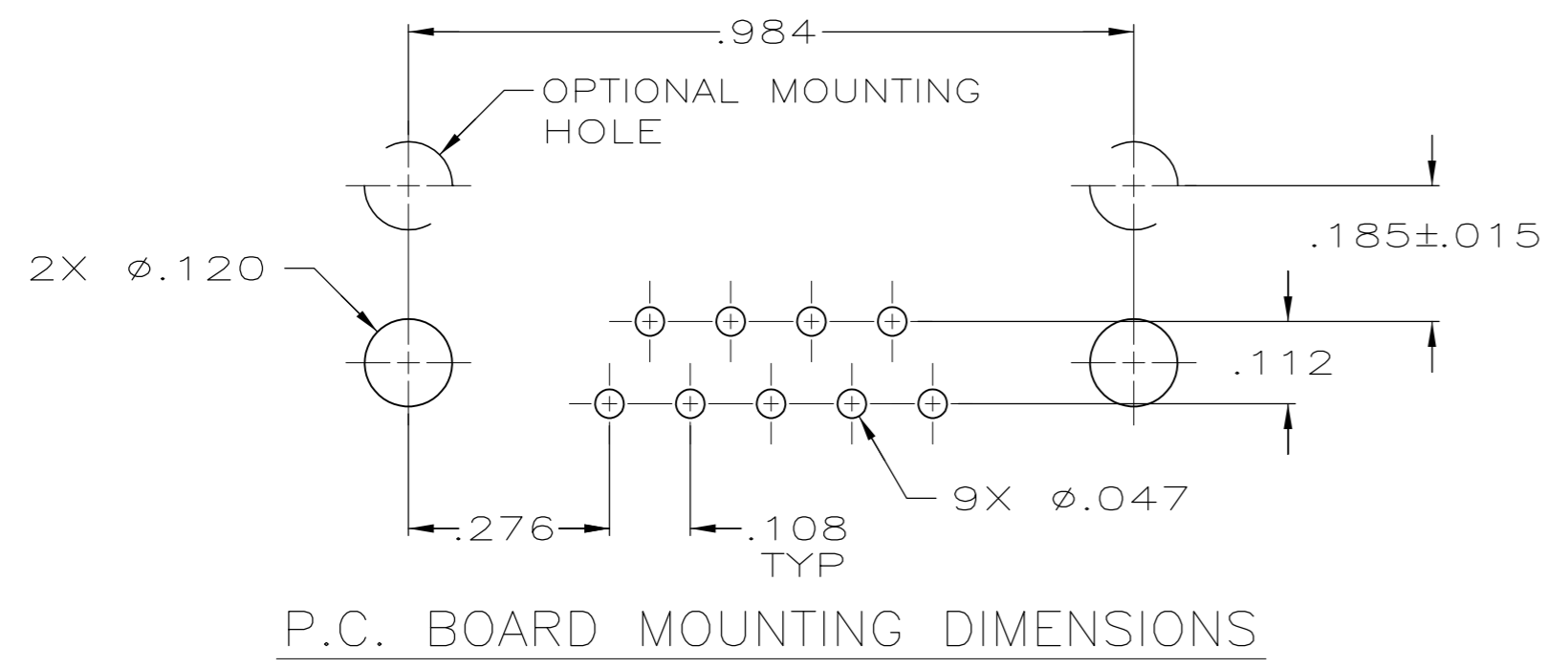
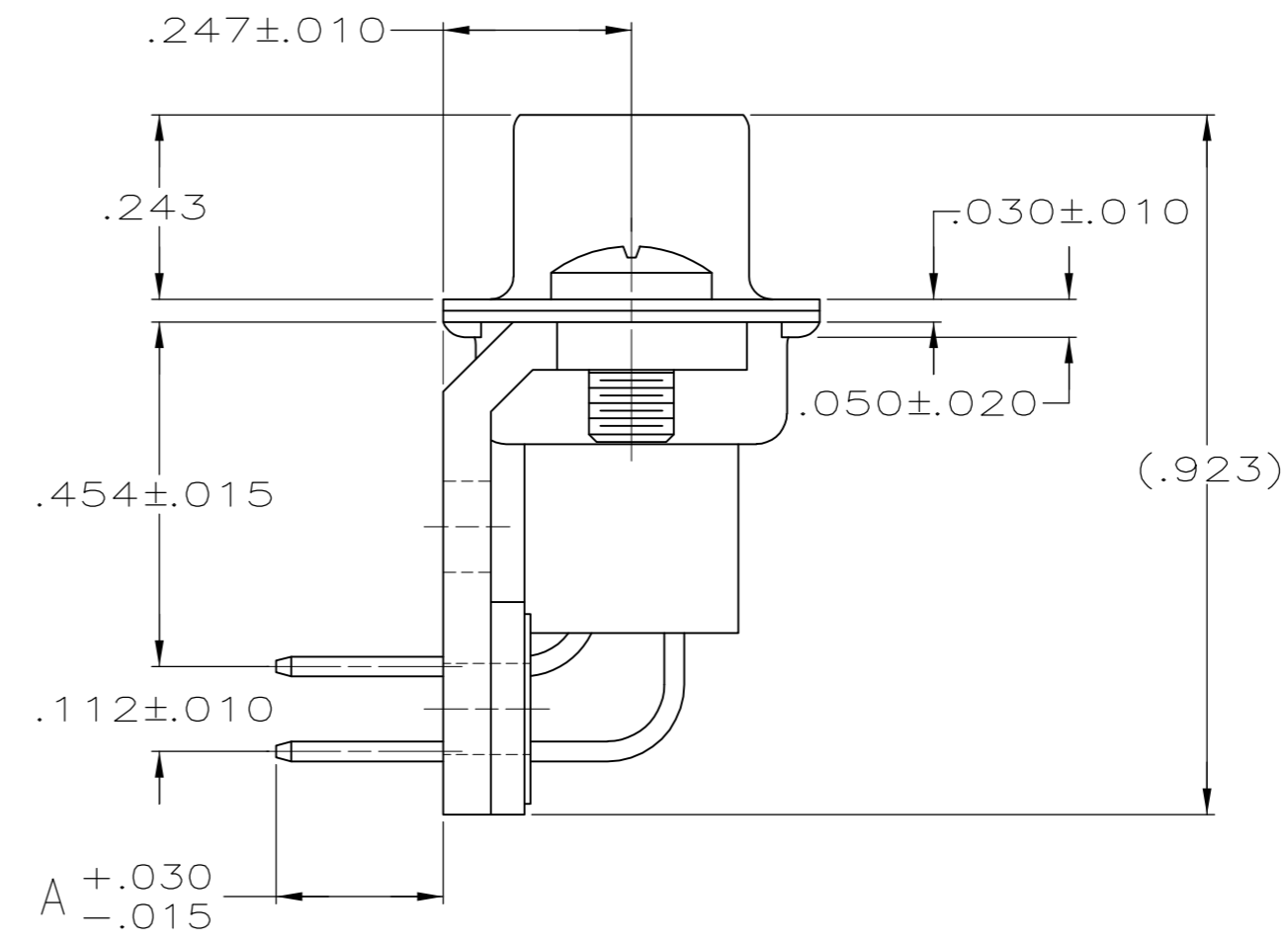
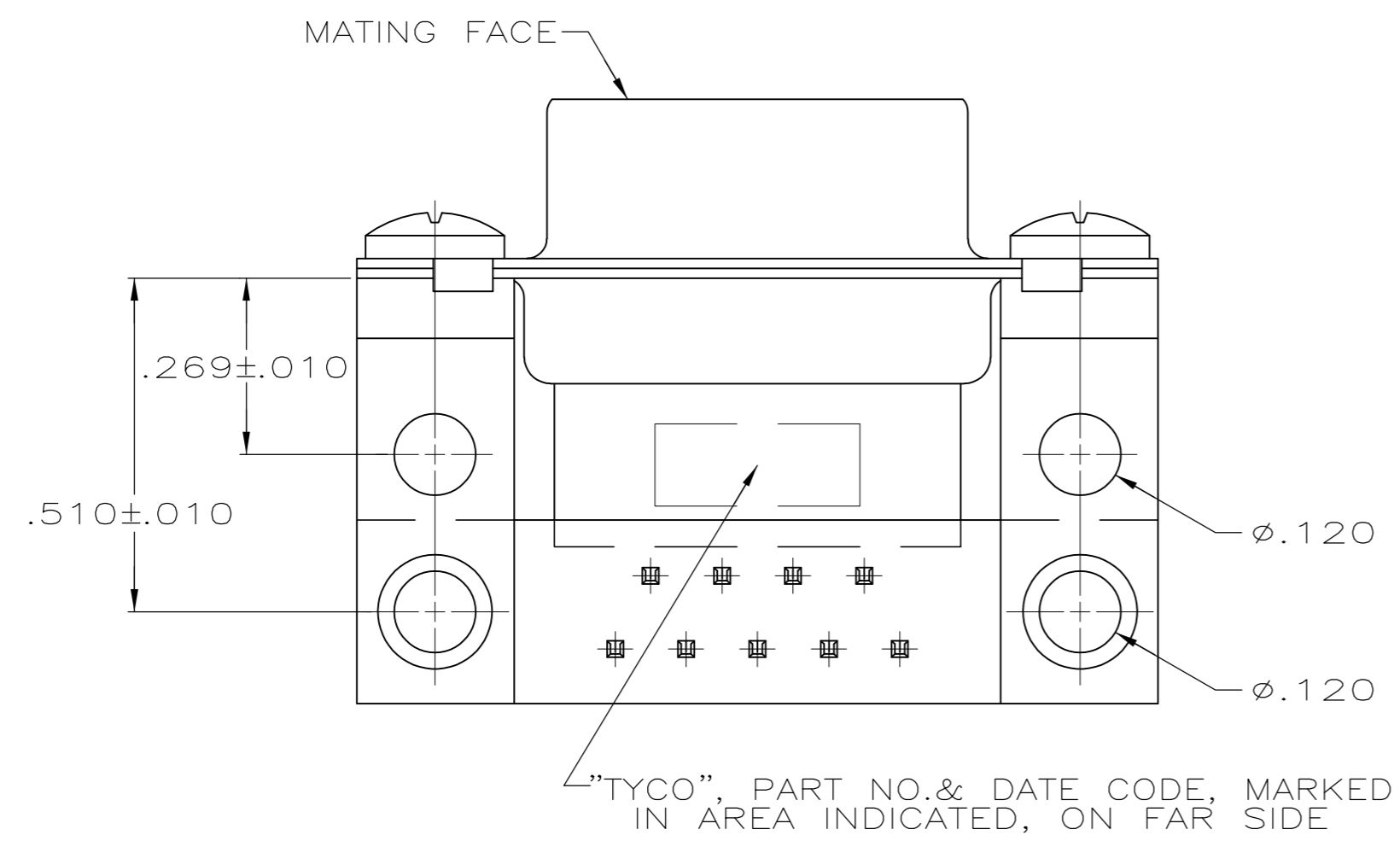


THIS DRAWING IS UNPUBLISHED. RELEASED FOR PUBLICATION  
 © COPYRIGHT 2005 By - ALL RIGHTS RESERVED.

LOC		DIST		REVISIONS			
P	LTR	DESCRIPTION	DATE	DWN	APVD		
GP	00						
	C	REVISED PER ECO-14-011808	11AUG2014	AP	SB		



- 1 MOLDED PARTS: GLASS-FILLED PBT OR GLASS-FILLED NYLON, UL94V-0 RATED. COLOR: BLACK.  
SHELLS & BRACKETS: CARBON STEEL.  
CONTACTS: PHOSPHOR BRONZE.
- 2 SHELLS: .000200 MIN TIN OVER .000100 MIN COPPER.  
BRACKETS: .000200 MIN TIN OVER .000050 MIN COPPER.  
CONTACTS: SEE TABLE
- 3 GOLD FLASH FOR A LENGTH OF .100 MINIMUM FROM MATING END, .000100 MINIMUM TIN ON OPPOSITE END, BOTH OVER .000050 MINIMUM NICKEL.
- 4 .000030 MIN GOLD FOR A LENGTH OF .100 MIN FROM MATING END, .000100 MIN TIN ON OPPOSITE END, BOTH OVER .000050 MIN NICKEL.  
-OR-  
GOLD FLASH OVER .000030 MIN PALLADIUM NICKEL PLATED FOR A LENGTH OF .100 MIN FROM MATING END, .000100 MIN TIN ON OPPOSITE END, BOTH OVER .000050 MIN NICKEL.



	.125	4	5745438-4
OBSOLETE	.125	3	5745438-3
	.220	3	5745438-1
	A	CONTACT FINISH	PART NUMBER

THIS DRAWING IS A CONTROLLED DOCUMENT. DIMENSIONING AND TOLERANCING PER ASME Y14.5M-2009		DWN D. HENNY 8-31-05	<b>STE</b> TE Connectivity	
DIMENSIONS: INCHES		CHK S. BOLASH 8-31-05		
TOLERANCES UNLESS OTHERWISE SPECIFIED:		APVD M. WALMSLEY 8-31-05	NAME RECEPTACLE ASSEMBLY, SIZE 1, 9 POSITION, RIGHT ANGLE, .454 SERIES, .025 SQ POSTS, AMPLIMITE HDP	
0 PLC ± -	1 PLC ± -	PRODUCT SPEC 108-40025	SIZE A2	CAGE CODE 00779
2 PLC ± -	3 PLC ± .005	APPLICATION SPEC 114-40013	DRAWING NO C=5745438	RESTRICTED TO -
4 PLC ± -	ANGLES ± 2°	WEIGHT -	SCALE 4:1	SHEET 1 of 1
MATERIAL 1	FINISH 2	CUSTOMER DRAWING	REV C	

## X-ON Electronics

Largest Supplier of Electrical and Electronic Components

*Click to view similar products for [D-Sub Standard Connectors](#) category:*

*Click to view products by [TE Connectivity](#) manufacturer:*

Other Similar products are found below :

[DCM37S732N](#) [DAM15P500](#) [DEV09S364GTLF](#) [DEM09P032N](#) [DDM50P732N](#) [DAM15S332N](#) [173109-2218](#) [173109-2466](#) [173109-2469](#)  
[173109-2435](#) [56F706-005-LI](#) [56F711-015](#) [015-0341-000](#) [017041-0005](#) [012-9507-114](#) [012-9534-001](#) [609-25P](#) [M24308/2-23Z](#) [M243082310F](#)  
[M24308/2-36Z](#) [M243082411F](#) [M24308315F](#) [M24308/4-21](#) [M243084437F](#) [CT0M22-23SS](#) [CT1N36-5SC](#) [CT2-16S-17PS](#) [CT2-20-15PCAU](#)  
[CT2-24-12PS](#) [CT2-24-28PSF127A206](#) [CT6F9767-14-4-14S-5PC](#) [CT7-18-10SC](#) [CT7-18-10SCAU](#) [CT7-18-12SCAU](#) [CT7-18-1PC](#) [CT7-18-](#)  
[1PCAU](#) [CT7-18-1SC](#) [CT7-18-21SCAU](#) [CT9-16-12PS](#) [M83513/01-FC](#) [M83723/76W24619 L/C](#) [M85049/48-3-2F](#) [69001-865](#)  
[6STD09PCM99B70X](#) [6STD09SCM99B30X](#) [6STD09SCT99S40X](#) [6STD15PCT99S40X](#) [6STD15SCM99B30X](#) [6STD15SCT99S40X](#)  
[6STF09PCM05B70X](#)