

4

3

2

1

THIS DRAWING IS UNPUBLISHED.

RELEASED FOR PUBLICATION

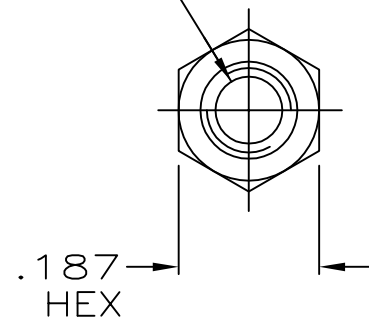
ALL RIGHTS RESERVED.

© COPYRIGHT - By -

REVISIONS

P	LTR	DESCRIPTION	DATE	DWN	APVD
R		REVISED PER ECO-17-005756	06NOV2017	AP	DG

#4-40 THREAD  
.120 MIN DEEP



FEMALE SCREWLOCK

WASHERS

LOCK WASHER

HEX NUT

#4-40 THREAD

.188

.250

1 ZINC PLATED .000200-.000400 THICK,  
YELLOW CHROMATE COATING.

2 ZINC PLATED .000200-.000400 THICK,  
CLEAR CHROMATE COATING.

3. PARTS PACKAGED UNASSEMBLED.

4 PARTS PACKAGED AS A UNIT KIT.

5 PARTS INDIVIDUALLY BULK PACKED & SHIPPED  
AS A UNIT PACKAGE.

1	1	2	1	4	1	5745563-5
2	2	4	2	5	2	5745563-4
2	2	4	2	4	2	5745563-3
2	2	4	2	4	1	5745563-1
HEX NUT QTY	LOCK WASHER QTY	WASHER QTY	FEMALE SCREWLOCK QTY	PACKAGING	FINISH	PART NUMBER

THIS DRAWING IS A CONTROLLED DOCUMENT.

DWN S.WAITMAN 30JUN05

CHK C.ROHDE 30JUN05

APVD M.WALMSLEY 30JUN05

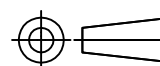
PRODUCT SPEC

APPLICATION SPEC

WEIGHT 0.000000

CUSTOMER DRAWING

DIMENSIONS:  
INCHES



TOLERANCES UNLESS OTHERWISE SPECIFIED:

0 PLC	± -
1 PLC	± -
2 PLC	± -
3 PLC	± .005
4 PLC	± -
ANGLES	± -

MATERIAL  
STEEL

FINISH  
SEE TABLE

**STE** TE Connectivity

NAME  
KIT, SCREWLOCK, FEMALE,  
PLASTIC OR METAL SERIES, SHORT,  
AMPLIMITE HDE

SIZE	CAGE CODE	DRAWING NO	RESTRICTED TO
A3	00779	C=5745563	-

SCALE	SHEET	REV
4:1	1 of 1	R

## X-ON Electronics

Largest Supplier of Electrical and Electronic Components

*Click to view similar products for [D-Sub Tools & Hardware](#) category:*

*Click to view products by [TE Connectivity](#) manufacturer:*

Other Similar products are found below :

[000-01-09-132](#) [000-01-21-132](#) [000-01-31-162](#) [572019-00105-70](#) [000-01-37-162](#) [621-250-113-115](#) [D110550-2](#) [D20418-137](#) [780-518-50SG6-WS](#) [86552009](#) [86553115TLF](#) [86553117TLF](#) [1230032-1](#) [1-5021101-2](#) [1589283-4](#) [160-000-005R031](#) [16-000230](#) [160-025-004R031](#) [160-000-137R000](#) [160-020-209R000](#) [164C03939A](#) [177-505-A-2-2](#) [1-966830-8](#) [21018-6](#) [21028-2](#) [2-1393560-9](#) [JS-1000](#) [L17D204182M3E](#) [L17D53018](#) [300X10779X](#) [160X10189X](#) [160X10419X](#) [160X10959X](#) [162-000-050R000](#) [21018-5](#) [212561-3](#) [248C21550X](#) [CF15P](#) [QLOCKPOST-2](#) [D110277](#) [500-008NF1K-01](#) [500-008NF3R3KS-01](#) [500-017M09FN](#) [500-017M15MHN](#) [500-024M1](#) [500-068M3](#) [5-1393561-5](#) [C115373-0001](#) [C115373-0002](#) [3342-4-KIT](#)