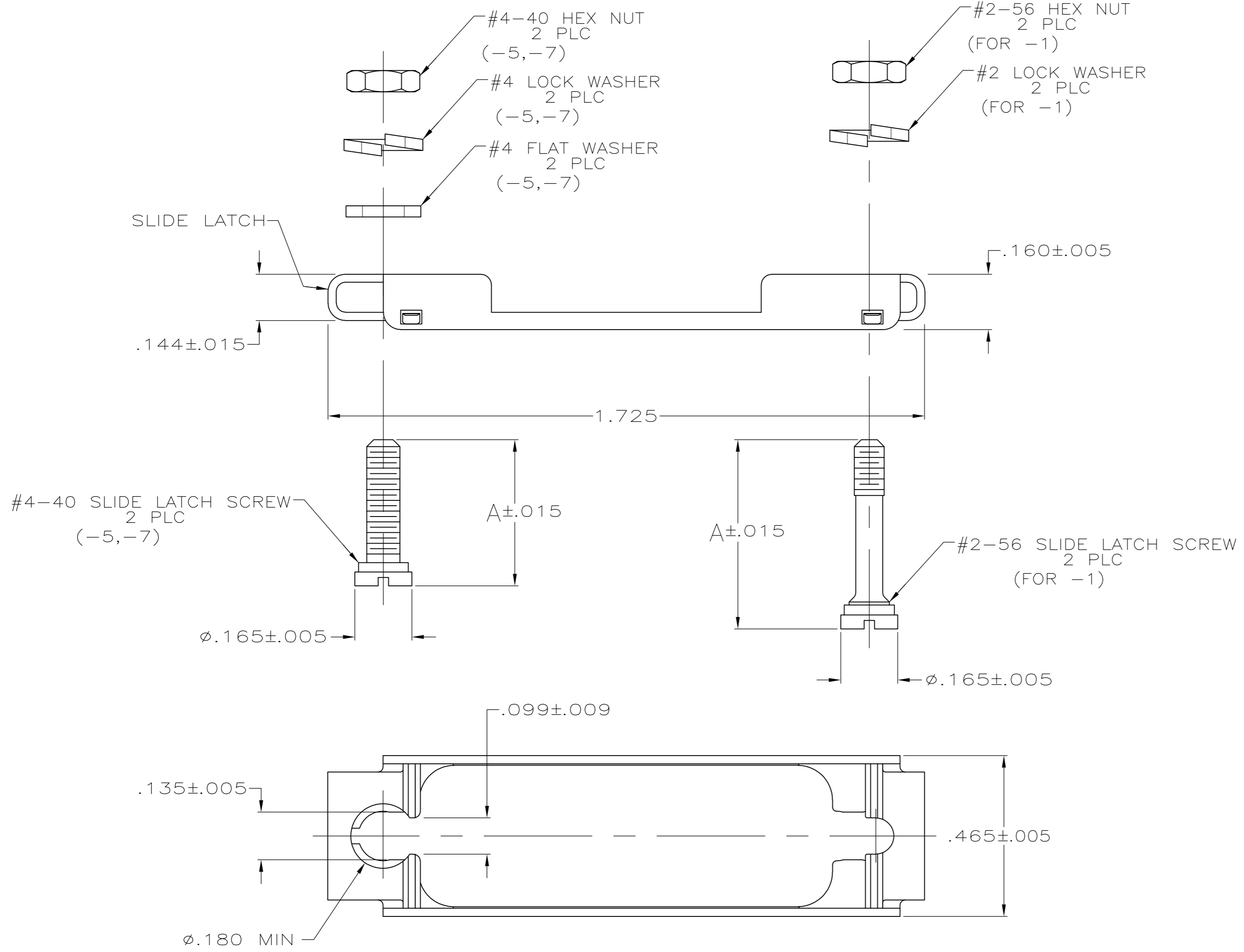


THIS DRAWING IS UNPUBLISHED. RELEASED FOR PUBLICATION
 © COPYRIGHT - By - ALL RIGHTS RESERVED.

LOC	DIST	REVISIONS					
GP	00	P	LTR	DESCRIPTION	DATE	DWN	APVD
		P		REVISED PER ECO-11-004835	11MAR11	RK	HMR



- PARTS PACKAGED UNASSEMBLED.
 - PARTS PACKAGED AS A UNIT KIT.
- ③ ZINC PLATED .000200-.000400 THICK, CLEAR CHROMATE COATING.
 - ④ ZINC PLATED .000200-.000400 THICK, YELLOW CHROMATE COATING.
 - ⑤ THIS KIT CAN BE USED WITH TWO-PIECE STRAIGHT/90° EXIT CABLE CLAMPS, RFI/EMI CABLE CLAMPS OR UNIVERSAL CABLE CLAMPS.
 - ⑥ THIS KIT CAN BE USED WITH ONE-PIECE STRAIGHT/45° EXIT CABLE CLAMPS, ONE-PIECE STRAIGHT/90° EXIT CABLE CLAMPS OR ON CONNECTORS WITHOUT CABLE CLAMPS.

.450	④	#4-40	⑥	5745583-7
.415	④	#4-40	⑥	5745583-5
.547	③	#2-56	⑤	5745583-1
A	HARDWARE FINISH	THREAD TYPE	PART NUMBER	

THIS DRAWING IS A CONTROLLED DOCUMENT.		DWN	S.WAITMAN	30JUN05		TE Connectivity																	
DIMENSIONS: INCHES		CHK	C.ROHDE	30JUN05		NAME																	
TOLERANCES UNLESS OTHERWISE SPECIFIED:		APVD	M.WALMSLEY	30JUN05		KIT, SLIDE LATCH, SIZE 2, 15 POSITION, AMPLIMITE																	
<table border="1"> <tr><td>0 PLC</td><td>±</td><td>-</td></tr> <tr><td>1 PLC</td><td>±</td><td>-</td></tr> <tr><td>2 PLC</td><td>±</td><td>-</td></tr> <tr><td>3 PLC</td><td>±</td><td>.010</td></tr> <tr><td>4 PLC</td><td>±</td><td>-</td></tr> <tr><td>ANGLES</td><td>±</td><td>-</td></tr> </table>		0 PLC	±	-		1 PLC	±	-	2 PLC	±	-	3 PLC	±	.010	4 PLC	±	-	ANGLES	±	-	PRODUCT SPEC	-	
0 PLC	±	-																					
1 PLC	±	-																					
2 PLC	±	-																					
3 PLC	±	.010																					
4 PLC	±	-																					
ANGLES	±	-																					
MATERIAL	SLIDE LATCH: STAINLESS STEEL HARDWARE: STEEL	FINISH	HARDWARE: SEE TABLE		WEIGHT	-	SIZE	CAGE CODE	DRAWING NO	RESTRICTED TO													
CUSTOMER DRAWING		A2 00779		C=5745583		SCALE	4:1	SHEET	1 of 1	REV	P												

5745583

X-ON Electronics

Largest Supplier of Electrical and Electronic Components

Click to view similar products for [D-Sub Tools & Hardware](#) category:

Click to view products by [TE Connectivity](#) manufacturer:

Other Similar products are found below :

[173112-0667](#) [173112-0759](#) [173112-0967](#) [173112-0291](#) [173112-0456](#) [000-01-09-132](#) [000-01-21-132](#) [000-01-31-162](#) [572019-00105-70](#)
[000-01-37-162](#) [621-250-113-115](#) [D20418-2R](#) [D20418-J3F](#) [70521CLF](#) [70524BLF](#) [70527BLF](#) [70527CLF](#) [F1042-1PLAH](#) [750643-1](#) [780-010-06G4-00C](#) [780-518-50SG6-WS](#) [863004ATLF](#) [86552009](#) [86553115TLF](#) [86553117TLF](#) [86553156LF](#) [FSGK1/5](#) [980-8554-000](#) [980-8555-000](#)
[980-8557-000](#) [980-8558-000](#) [1230032-1](#) [1-5021101-2](#) [15-000050](#) [1589283-4](#) [160-000-005R031](#) [16-000230](#) [160-020-109R000](#) [160-025-004R031](#) [160-015-003R031](#) [160-020-209R000](#) [160X10909X](#) [164C03939A](#) [177-505-A-2-2](#) [177-505-C-4-4](#) [179-013-1H](#) [1-966830-8](#) [21018-621028-3](#) [213622-5](#)