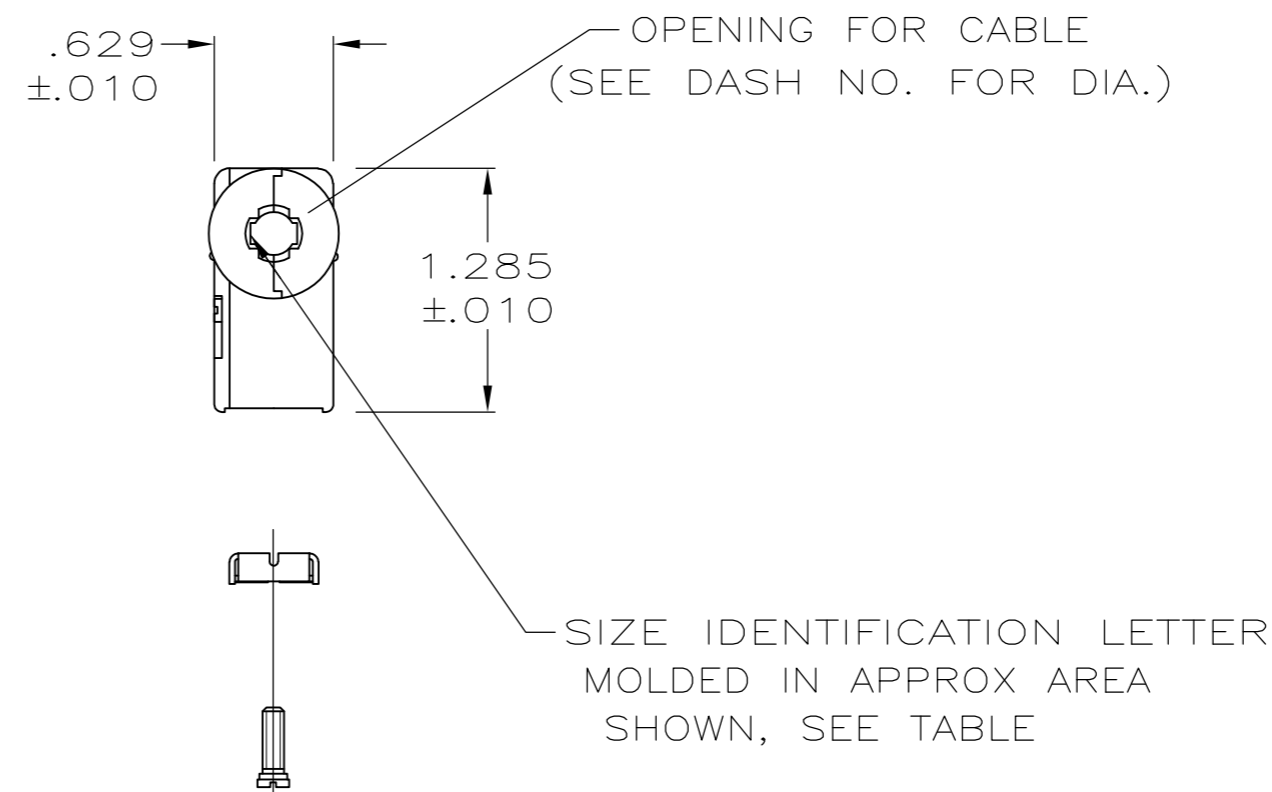
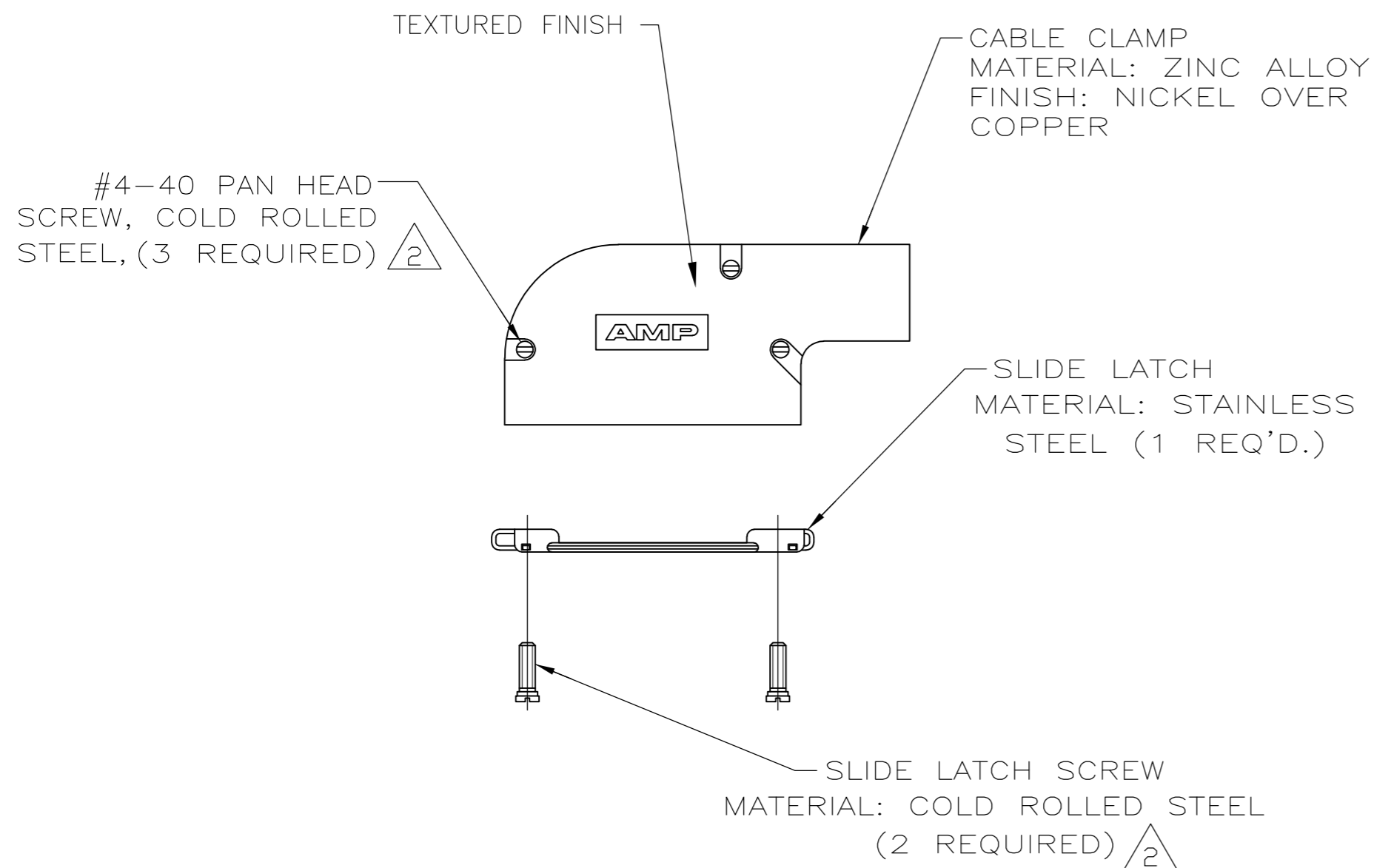
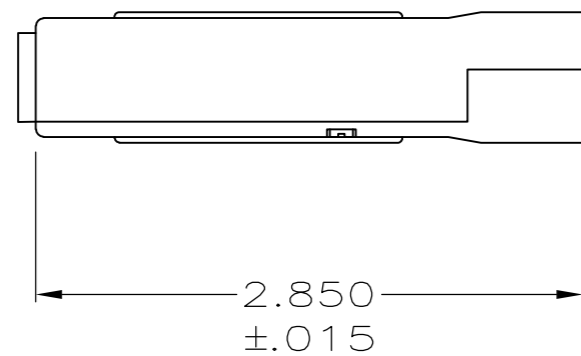


THIS DRAWING IS UNPUBLISHED. RELEASED FOR PUBLICATION
 © COPYRIGHT - By - ALL RIGHTS RESERVED.

LOC		DIST		REVISIONS			
P	LTR	DESCRIPTION		DATE	DWN	APVD	
GP	00	P		REVISED PER ECO-11-004835	11MAR11	RK HMR	

1. ALL PARTS PACKAGED UNASSEMBLED AS A UNIT KIT.
- △ ZINC PLATED .000200-.000400 THICK CLEAR CHROMATE COATING.



NECK IDENT	CABLE DIA	PART NO.
D	.280	5745653-5
G	.355	5745653-4
K	.430	5745653-3
M	.480	5745653-2
P	.530	5745653-1

THIS DRAWING IS A CONTROLLED DOCUMENT.		DWN	12AUG05	STE TE Connectivity																	
DIMENSIONS: INCHES		CHK	12AUG05																		
TOLERANCES UNLESS OTHERWISE SPECIFIED:		APVD	12AUG05																		
<table border="0"> <tr><td>0 PLC</td><td>±</td><td>-</td></tr> <tr><td>1 PLC</td><td>±</td><td>-</td></tr> <tr><td>2 PLC</td><td>±</td><td>-</td></tr> <tr><td>3 PLC</td><td>±</td><td>.005</td></tr> <tr><td>4 PLC</td><td>±</td><td>-</td></tr> <tr><td>ANGLES</td><td>±</td><td>-</td></tr> </table>		0 PLC	±		-	1 PLC	±	-	2 PLC	±	-	3 PLC	±	.005	4 PLC	±	-	ANGLES	±	-	NAME
0 PLC	±	-																			
1 PLC	±	-																			
2 PLC	±	-																			
3 PLC	±	.005																			
4 PLC	±	-																			
ANGLES	±	-																			
MATERIAL SEE CALLOUTS		FINISH	SEE CALLOUTS	PRODUCT SPEC	-																
MATERIAL SEE CALLOUTS		FINISH	SEE CALLOUTS	APPLICATION SPEC	-																
MATERIAL SEE CALLOUTS		FINISH	SEE CALLOUTS	WEIGHT	-																
MATERIAL SEE CALLOUTS		FINISH	SEE CALLOUTS	CUSTOMER DRAWING	SCALE 1:1 SHEET 1 of 1 REV P																

5745653

X-ON Electronics

Largest Supplier of Electrical and Electronic Components

Click to view similar products for [D-Sub Backshells](#) category:

Click to view products by [TE Connectivity](#) manufacturer:

Other Similar products are found below :

[M85049/6-38N](#) [M85049/86-12N03](#) [M85049/90-13P03](#) [70.350.0636.4](#) [70.350.2435.1](#) [72.350.1035.2](#) [72.352.2435.1](#) [73.359.4035.3](#) [829472-1](#)
[PCS-E20W](#) [970-015-040R011](#) [970-025-040R011](#) [971-009-030R121](#) [971-009-040R011](#) [971-015-040R011](#) [1437013-9](#) [1484402-8](#) [156-3025-](#)
[EX](#) [16-500800](#) [165X02659X](#) [165X03329A](#) [165X03399A](#) [165X10259X](#) [165X11759X](#) [165X11889X](#) [165X13019X](#) [165X13029X](#)
[165X13169X](#) [165X13199X](#) [165X13239X](#) [165X13389X](#) [165X13489X](#) [165X14219X](#) [165X14449X](#) [165X17409X](#) [165X17439X](#)
[165X17569X](#) [165X17599X](#) [165X17609X](#) [165X17889X](#) [165X17979X](#) [L171373](#) [971-025-030R121](#) [300X10989X](#) [165X02609X](#)
[165X02639X](#) [165X02689X](#) [165X04219A](#) [165X10469X](#) [165X11279X](#)