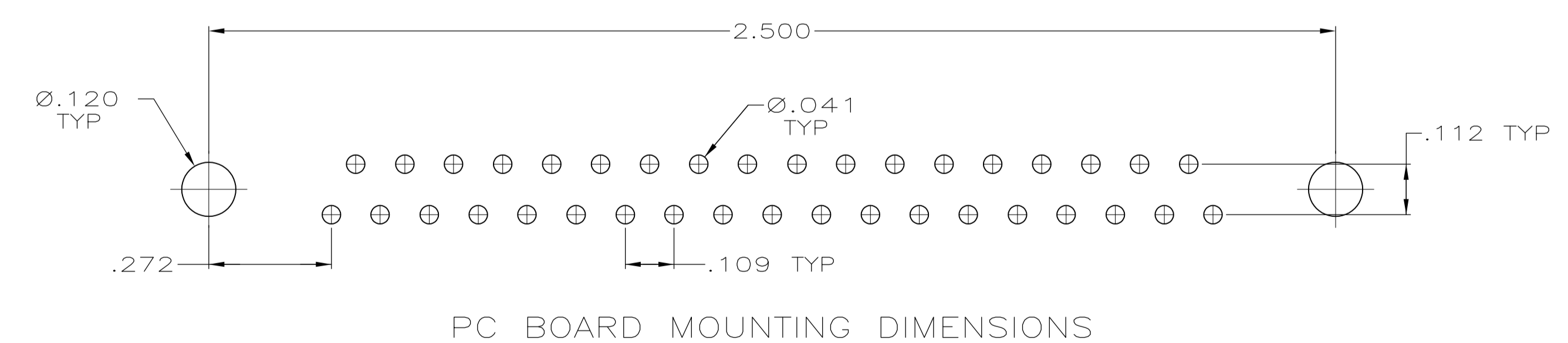
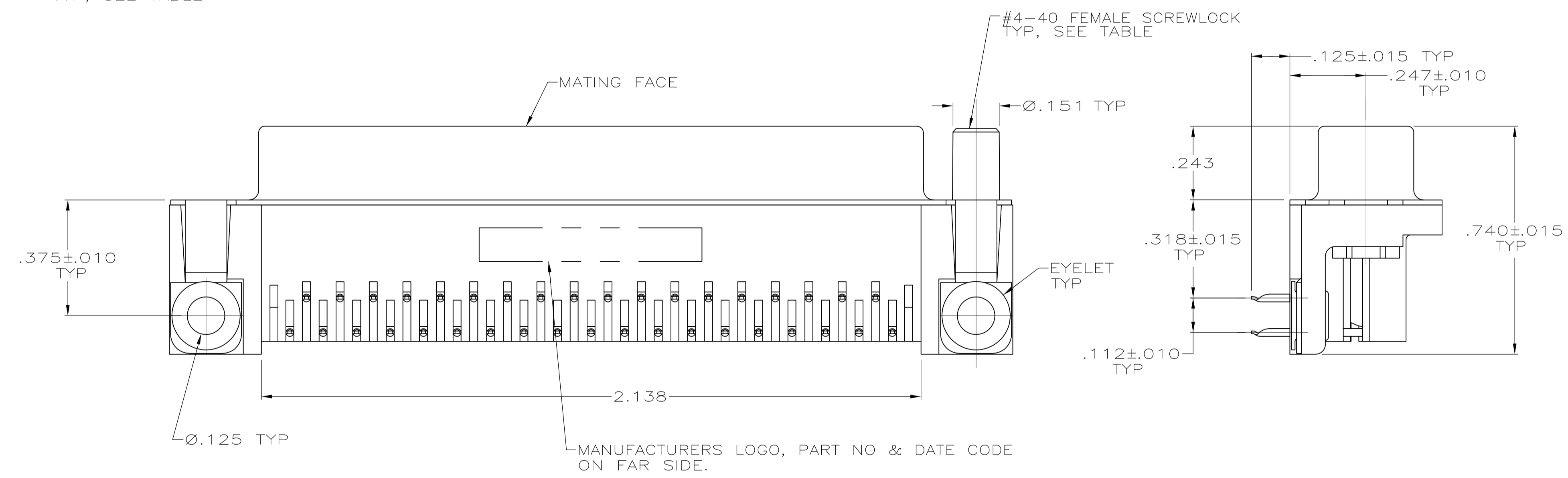


- 1 MOLDDED PARTS: FLAME RETARDANT 94V-0 RATED THERMOPLASTIC, BLACK.  
SHELL: CARBON STEEL  
CONTACTS: PHOSPHOR BRONZE  
EYELETS: BRASS  
SCREWLOCKS: ZINC  
INSERTS: ZINC
- 2 SHELL: .000100 MIN TIN OVER .000050 MIN COPPER.  
CONTACTS: .000030 MIN GOLD FOR A DISTANCE OF .100 MIN FROM MATING END, .000100 MIN TIN ON OPPOSITE END, ALL OVER .000050 MIN NICKEL.  
EYELETS: .000100 MIN TIN OVER COPPER FLASH.  
SCREWLOCKS: CLEAR CHROMATE  
INSERTS: CLEAR CHROMATE
- 3 OBSOLETE PARTS: OBSOLETE CIS STREAMLINING PER D.RENAUD/D.SINISI



3 OBSOLETE

FEMALE SCREWLOCKS	5745784-6
THREADED INSERTS	5745784-4
NONE	<del>5745784-2</del>
MOUNTING HARDWARE	PART NUMBER

**COPYRIGHT 2005  
TE CONNECTIVITY CORP  
ALL RIGHTS RESERVED**

THIS DRAWING IS A CONTROLLED DOCUMENT.		DIN A FERNANDEZ-DOCKS 04-07-05		TE Connectivity																															
DIMENSIONS: INCHES		TOLERANCES UNLESS OTHERWISE SPECIFIED:																																	
<table border="1"> <tr><td>0. PLC</td><td>± .005</td></tr> <tr><td>1. PLC</td><td>± .005</td></tr> <tr><td>2. PLC</td><td>± .005</td></tr> <tr><td>3. PLC</td><td>± .005</td></tr> <tr><td>4. PLC</td><td>± .005</td></tr> <tr><td>ANGLES</td><td>± .2°</td></tr> </table>		0. PLC	± .005	1. PLC	± .005	2. PLC	± .005	3. PLC	± .005	4. PLC	± .005	ANGLES	± .2°	<table border="1"> <tr><td>APVD</td><td>M. WALMSLEY</td><td>04-07-05</td><td>NAME</td></tr> <tr><td>PRODUCT SPEC</td><td colspan="3">RCPT ASSY, SIZE 4, 37 POSN, RTANG, AMPLIMITE HD-20, WITH METAL SHELL, WITH OR WITHOUT SCREWLOCKS OR INSERTS</td></tr> <tr><td>APPLICATION SPEC</td><td colspan="3">108-40025</td></tr> <tr><td>SIZE</td><td>114-40010</td><td>CAGE CODE</td><td>DRAWING NO</td></tr> <tr><td>WEIGHT</td><td>-</td><td>A1</td><td>00779</td></tr> </table>		APVD	M. WALMSLEY	04-07-05	NAME	PRODUCT SPEC	RCPT ASSY, SIZE 4, 37 POSN, RTANG, AMPLIMITE HD-20, WITH METAL SHELL, WITH OR WITHOUT SCREWLOCKS OR INSERTS			APPLICATION SPEC	108-40025			SIZE	114-40010	CAGE CODE	DRAWING NO	WEIGHT	-	A1	00779
0. PLC	± .005																																		
1. PLC	± .005																																		
2. PLC	± .005																																		
3. PLC	± .005																																		
4. PLC	± .005																																		
ANGLES	± .2°																																		
APVD	M. WALMSLEY	04-07-05	NAME																																
PRODUCT SPEC	RCPT ASSY, SIZE 4, 37 POSN, RTANG, AMPLIMITE HD-20, WITH METAL SHELL, WITH OR WITHOUT SCREWLOCKS OR INSERTS																																		
APPLICATION SPEC	108-40025																																		
SIZE	114-40010	CAGE CODE	DRAWING NO																																
WEIGHT	-	A1	00779																																
MATERIAL 1		FINISH 2		CUSTOMER DRAWING																															
		SCALE 4:1		SHEET 1 OF 1 REV P																															

## X-ON Electronics

Largest Supplier of Electrical and Electronic Components

*Click to view similar products for [D-Sub Standard Connectors](#) category:*

*Click to view products by [TE Connectivity](#) manufacturer:*

Other Similar products are found below :

[56F711-015](#) [012-9507-004](#) [LV242999-142T12](#) [015-0341-000](#) [015-0372-005](#) [015-0372-008](#) [015-8755-001](#) [020419-0104](#) [012-0467-000](#) [012-0515-000](#) [012-9507-034](#) [012-9507-114](#) [020745-0008](#) [609-25P](#) [M24308/2-23Z](#) [CT2-14S-2PCA34](#) [CT2-18-11PCAU](#) [CT6-10SL-3SC](#) [CT6-10SL-4SC](#) [CT6-14S-2SC](#) [CT6E14SA7SC](#) [M83513/01-FC](#) [M83723/76W24619 L/C](#) [M85049/48-3-2F](#) [6STD09PCM99B70X](#) [6STD09SCM99B30X](#) [6STD09SCT99S40X](#) [6STD15PCT99S40X](#) [6STD15SCM99B30X](#) [6STD15SCT99S40X](#) [6STF09PCM05B70X](#) [7-135760-9](#) [MC11E-10-6SN](#) [747552-3](#) [MD1-21PS](#) [MDM-15SCBRM7-F222](#) [MDM96517-699](#) [MDM96521-744](#) [MDVB1-21SL1](#) [MIK0-1-7SH003](#) [MIKQ6-7SH076](#) [MIKQ7-7PH077](#) [MIKQ7-7PH11](#) [MIKQ7-7PH32](#) [MJSV-28SL61](#) [MKJ4A1F14-55S](#) [8-135760-3](#) [8STD09PCM99B30X](#) [PG-KV/PV-16-GROM-SEALING](#) [GDA15P](#)