

4

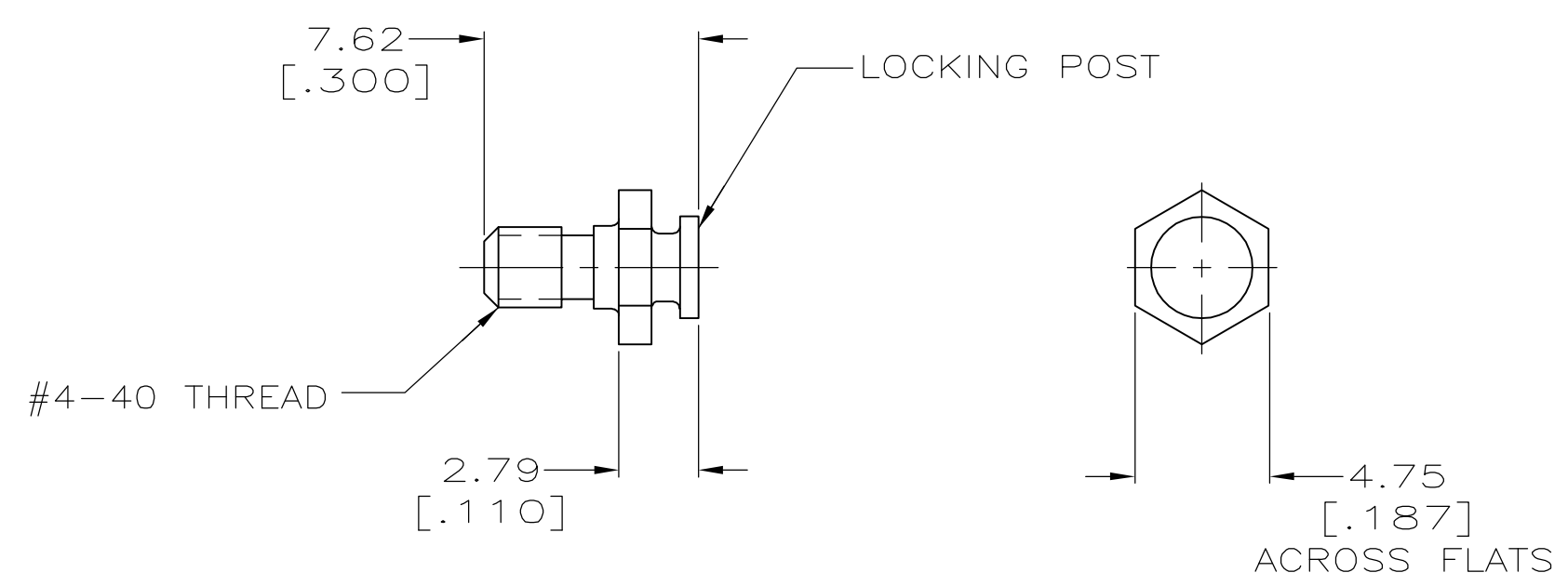
3

2

1

THIS DRAWING IS UNPUBLISHED. RELEASED FOR PUBLICATION
 © COPYRIGHT BY TYCO ELECTRONICS CORPORATION. ALL RIGHTS RESERVED.

LOC	DIST	REVISIONS			
P	LTR	DESCRIPTION	DATE	DWN	APVD
GP	00	0	RELEASED PER EC 0S13-0207-05	27JUN05	RR JG



1 ZINC PLATED .000200-.000400 THICK
 CLEAR CHROMATE COATING.

5745969-3
 PART NO

THIS DRAWING IS A CONTROLLED DOCUMENT.		DWN R.RICHARDSON 27JUN05	Tyco Electronics Corporation Harrisburg, Pa 17105-3608														
DIMENSIONS: mm [INCHES]		CHK C.ROHDE 27JUN05															
TOLERANCES UNLESS OTHERWISE SPECIFIED:		APVD M.WALMSLEY 27JUN05	NAME LOCKING POST, AMPLIMITE														
<table border="0"> <tr><td>0 PLC</td><td>± -</td></tr> <tr><td>1 PLC</td><td>± -</td></tr> <tr><td>2 PLC</td><td>± 0.13 [.005]</td></tr> <tr><td>3 PLC</td><td>± -</td></tr> <tr><td>4 PLC</td><td>± -</td></tr> <tr><td>ANGLES</td><td>± -</td></tr> </table>		0 PLC	± -	1 PLC	± -	2 PLC	± 0.13 [.005]	3 PLC	± -	4 PLC	± -	ANGLES	± -	PRODUCT SPEC -	SIZE A3		
0 PLC	± -																
1 PLC	± -																
2 PLC	± 0.13 [.005]																
3 PLC	± -																
4 PLC	± -																
ANGLES	± -																
MATERIAL CARBON STEEL		FINISH 1	CAGE CODE 00779	DRAWING NO C-5745969	RESTRICTED TO -												
CUSTOMER DRAWING			SCALE 4:1	SHEET 1 OF 1	REV 0												

X-ON Electronics

Largest Supplier of Electrical and Electronic Components

Click to view similar products for [TE Connectivity](#) manufacturer:

Other Similar products are found below :

[017667013](#) [222S163-25S-0](#) [DMC-MD 26 B](#) [AFD56-20-41SW-1A](#) [BACC63CM2842PNA](#) [AFD51-16-26PN-1A](#) [6EL1SCM](#) [1599027-1](#)
[KUP93-14A13-120](#) [IMC21-2007X](#) [2052-1618-02](#) [MS27467T17B8S](#) [1971862-2](#) [CB10LH103M](#) [CBT25J1M0](#) [0598034002](#) [8-917542-2](#)
[894645-000](#) [PCH-124D2MH,000](#) [568176-6](#) [5-690482-4](#) [570831-000](#) [5745438-3](#) [5745652-2](#) [CRB-48-70180](#) [5767006-7](#) [58061-1](#) [58062-1](#)
[58113-5](#) [58284-1](#) [582843-6](#) [58380-2](#) [58425-3](#) [585435-000](#) [58552-1](#) [58595-1](#) [586863-000](#) [592588-5](#) [013750-000](#) [59826-1](#) [0-1393092-2](#)
[5J0-1000LG-SIL](#) [5JO-1000CD-SIL](#) [5R4-SS-PAL](#) [5ROS-99168](#) [600259N006](#) [0113-201-2029](#) [601156-000](#) [604200-1](#) [6059628-1](#)