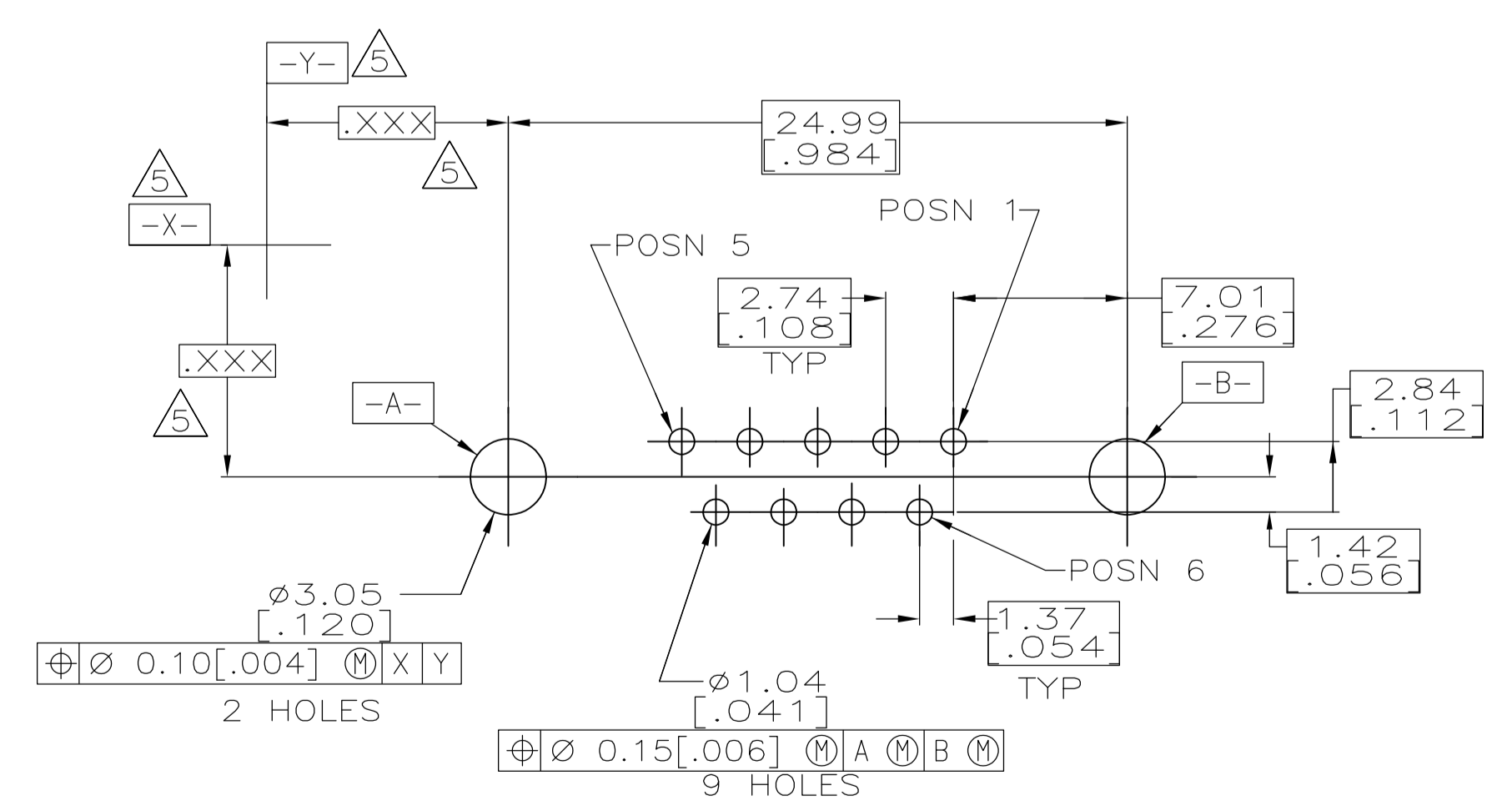
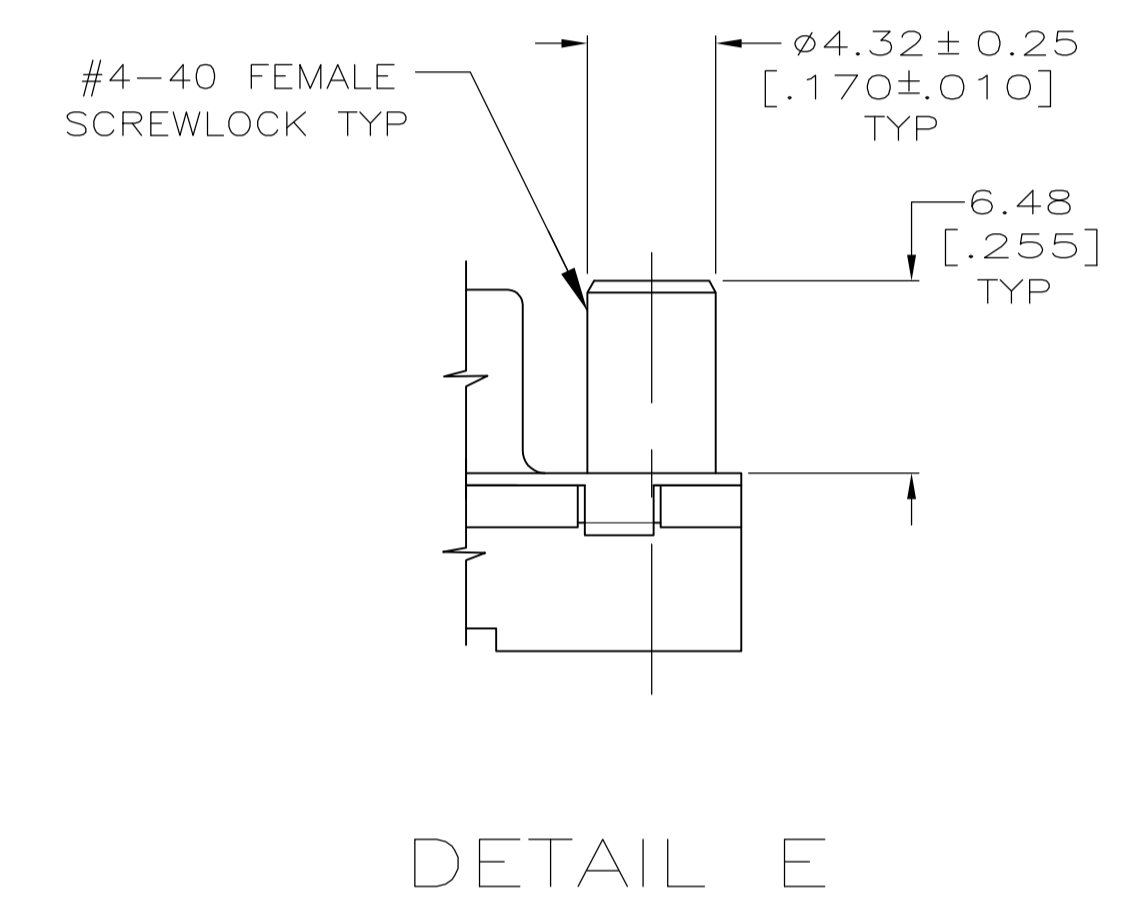
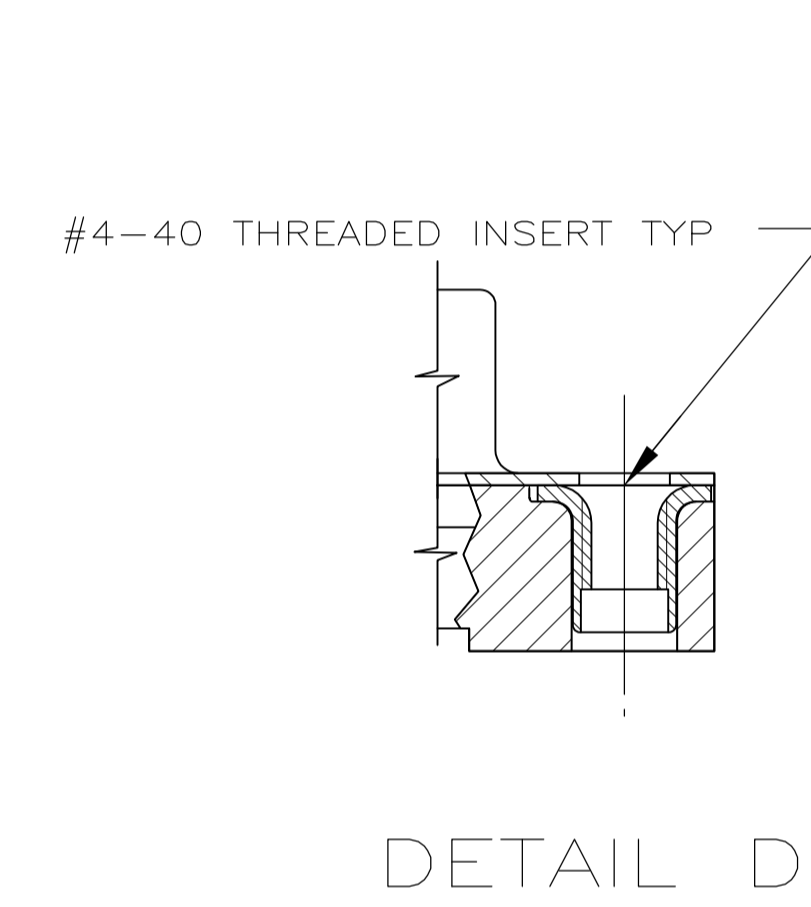
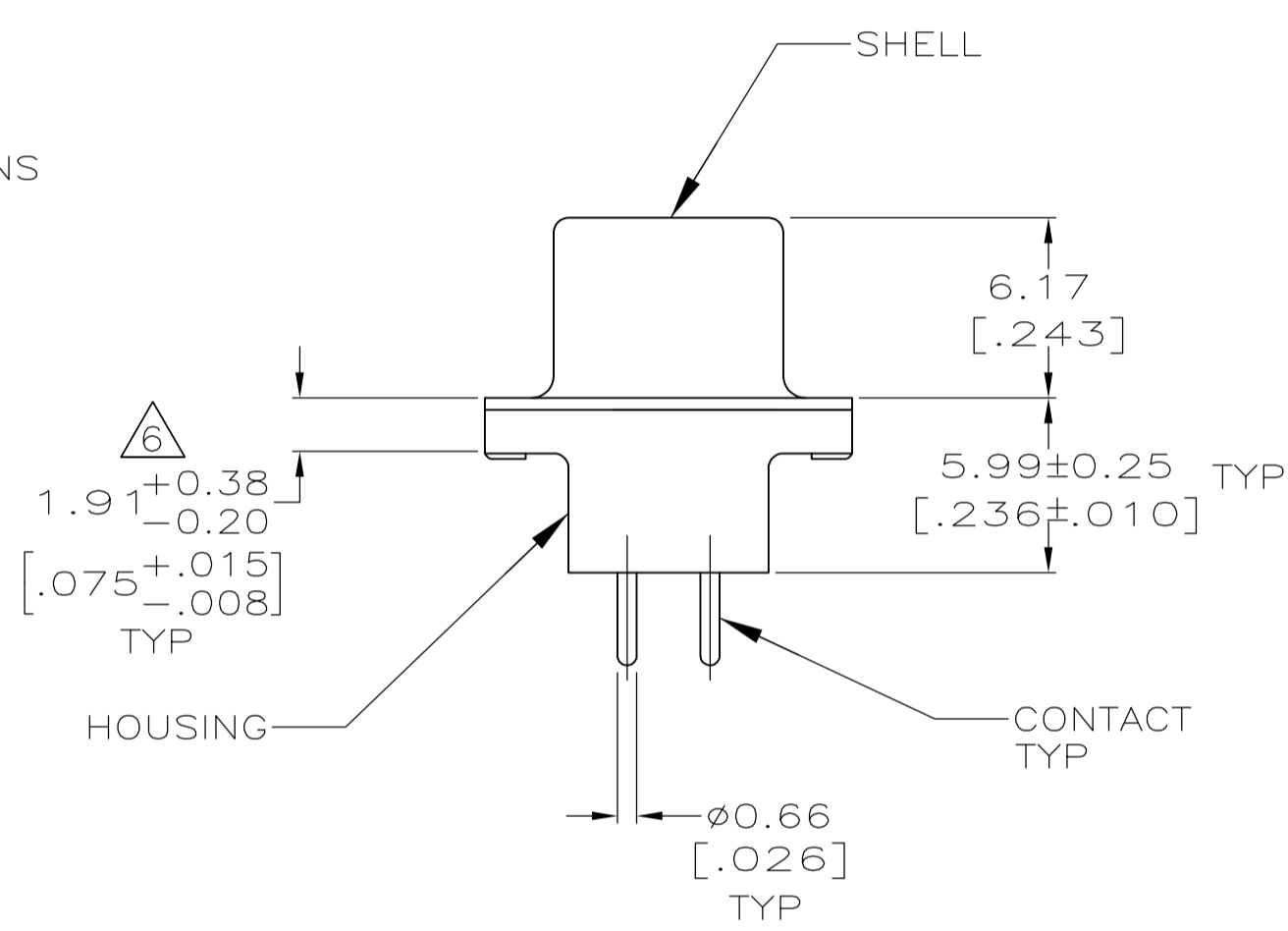
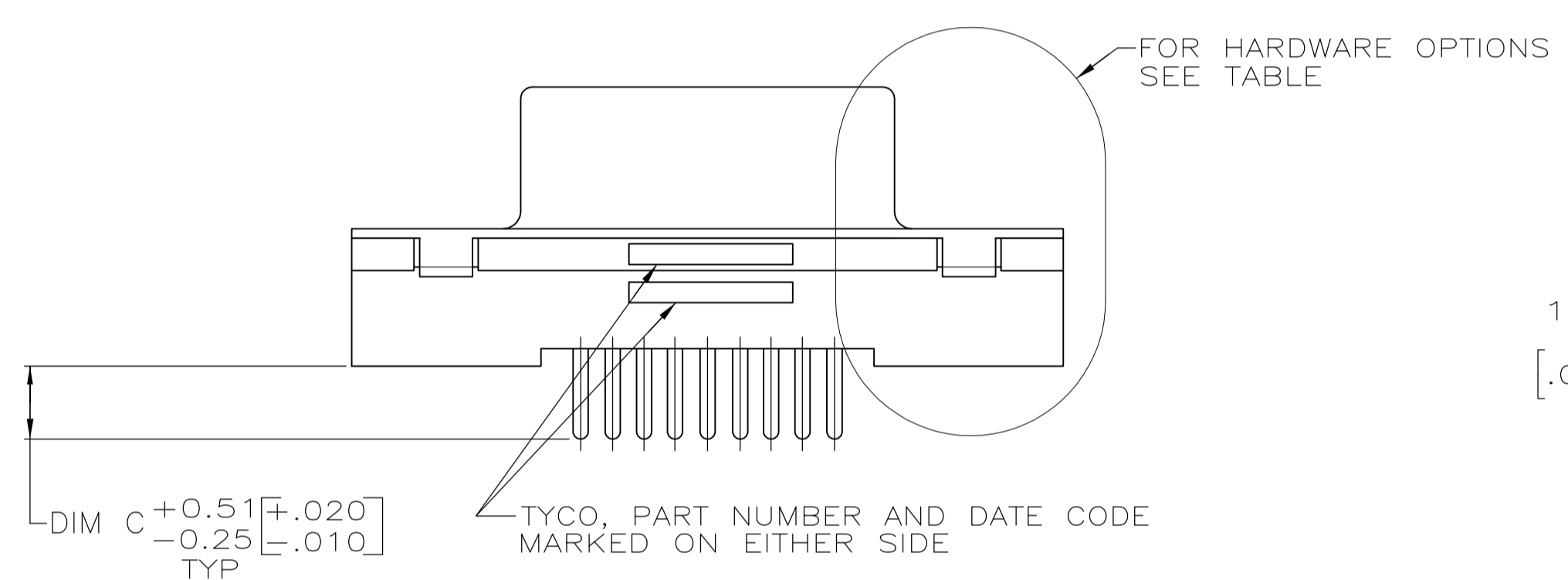
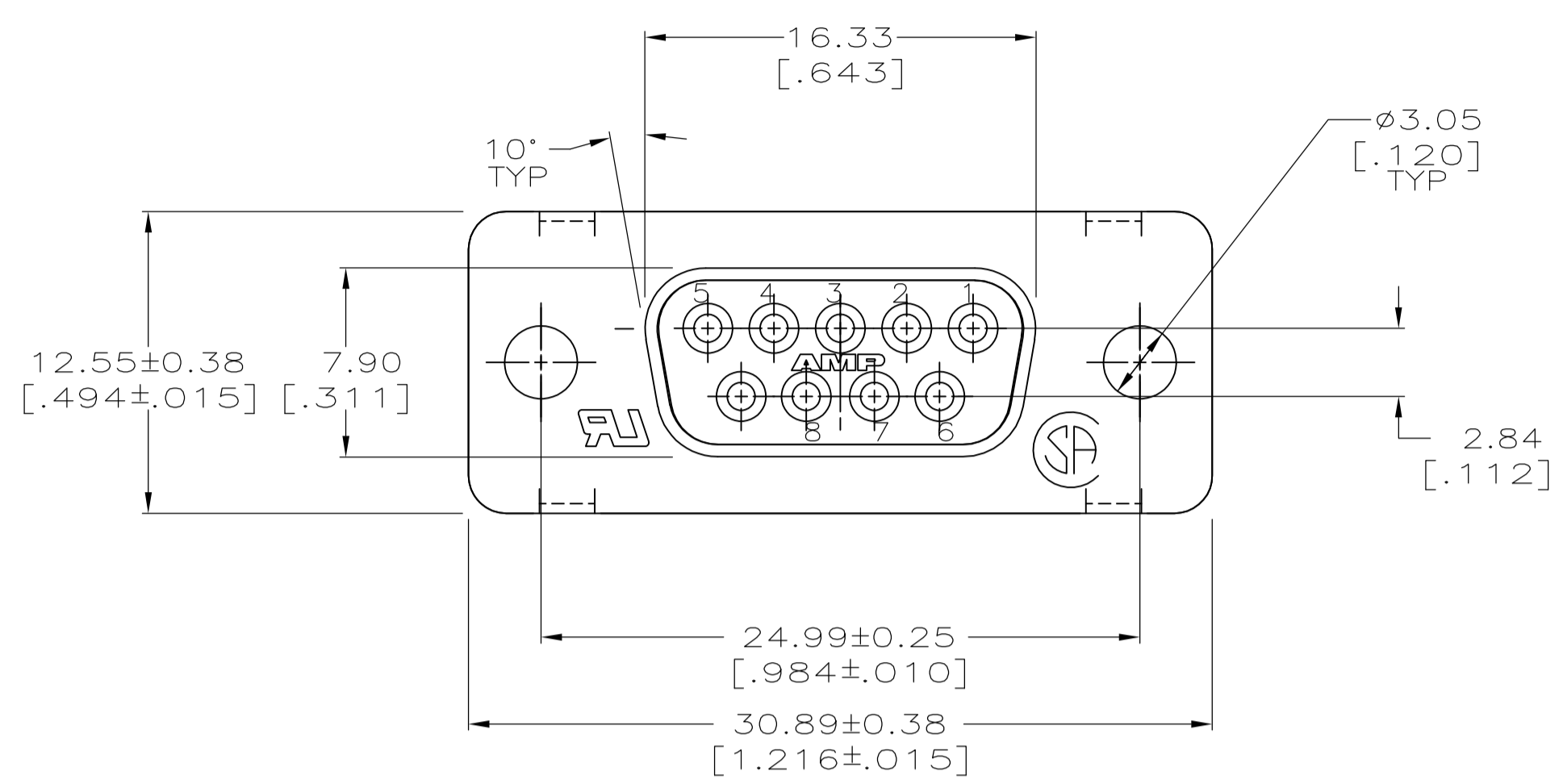


LOC	DIST	REVISIONS				
GP	00	REV	DESCRIPTION	DATE	OWN	APVD
A1		REVISED PER	ECO-11-004835	11MAR11	RK	HMR



RECOMMENDED PC BOARD LAYOUT
CONNECTOR SIDE OF PC BOARD

- ⚠ MATERIAL:
HOUSING: POLYESTER, UL 94V-0 RATED, BLACK.
SHELL: CARBON STEEL.
CONTACTS: PHOS. BRONZE.
SCREWLOCKS: ZINC
INSERTS: BRASS
- ⚠ FINISH:
SHELL: 5.08µm [.000200] MIN TIN OVER 2.54µm [.000100] MIN COPPER.
CONTACTS: SEE TABLE.
- ⚠ GOLD FLASH FOR A LENGTH OF 2.54 [.100] MIN FROM MATING END, 2.54µm [.000100] MIN TIN ON OPPOSITE END, OVER 1.27µm [.000050] MIN NICKEL.
- ⚠ 0.76µm [.000030] MIN GOLD FOR A LENGTH OF 2.54 [.100] MIN FROM MATING END, 2.54µm [.000100] MIN TIN ON OPPOSITE END, OVER 1.27µm [.000050] MIN NICKEL.
- ⚠ DATUMS AND BASIC DIMENSIONS ESTABLISHED BY CUSTOMER.
- ⚠ 2.79 [.110] MAX IN SHELL TAB CLINCH AREAS.

DESCRIPTION	REV	DESCRIPTION	DATE	OWN	APVD
W/FEMALE SCREWLOCKS PER DETAIL E	4	4.32 [.170]	1-5747150-6		
	4	3.18 [.125]	1-5747150-4		
	3	3.18 [.125]	1-5747150-3		
W/THREADED INSERTS PER DETAIL D	5	4.32 [.170]	5747150-9		
	4	3.18 [.125]	5747150-8		
	3	3.18 [.125]	5747150-7		
WO/FEMALE SCREWLOCKS OR THREADED INSERTS AS SHOWN	4	4.32 [.170]	5747150-4		
	4	3.18 [.125]	5747150-2		
HARDWARE OPTIONS		CONTACTS FINISH	C		PART NO

THIS DRAWING IS A CONTROLLED DOCUMENT.		DWG: B. MCMASTER 18MAY05	TE Connectivity	
DIMENSIONS: MM [INCHES]		CHK: S. BOLASH 18MAY05		
TOLERANCES UNLESS OTHERWISE SPECIFIED:		APVD: M. WALMSLEY 18MAY05	NAME: RECEPTACLE ASSEMBLY, SIZE 1, 9 POSITION FRONT METAL SHELL, WITH OR WITHOUT SCREWLOCKS OR INSERTS.	
0 PLC ± -	1 PLC ± -	PRODUCT SPEC: 108-40025	SIZE: 114-40023	
2 PLC ± 0.13 [.005]	3 PLC ± -	APPLICATION SPEC: 114-40023	RESTRICTED TO: -	
4 PLC ± -	ANGLES ± -	WEIGHT: -	SCALE: 4:1 SHEET 1 OF 1 REV A1	
MATERIAL: 1	FINISH: 2	CUSTOMER DRAWING	DRAWING NO: 00779 ©=5747150	

X-ON Electronics

Largest Supplier of Electrical and Electronic Components

Click to view similar products for [D-Sub Standard Connectors](#) category:

Click to view products by [TE Connectivity](#) manufacturer:

Other Similar products are found below :

[56F711-015](#) [012-9507-004](#) [LV242999-142T12](#) [015-0341-000](#) [015-0349-000](#) [015-0372-005](#) [015-0372-008](#) [015-8755-001](#) [020419-0104](#) [012-0467-000](#) [012-0515-000](#) [012-9507-034](#) [012-9507-114](#) [020745-0008](#) [609-25P](#) [M24308/2-23Z](#) [M24308315F](#) [CT2-14S-2PCA34](#) [CT2-18-11PCAU](#) [CT2-36-15SC](#) [CT6-14S-2SC](#) [CT6E14SA7SC](#) [CT6E22-14PC](#) [CT6E22-14PS](#) [CT6E22-22PS](#) [M83513/01-FC](#) [M85049/48-3-2F](#) [6STD09PCM99B70X](#) [6STD09SCM99B30X](#) [6STD09SCT99S40X](#) [6STD15PCT99S40X](#) [6STD15SCM99B30X](#) [6STD15SCT99S40X](#) [6STF09PCM05B70X](#) [7-135760-9](#) [MC11E-10-6SN](#) [747552-3](#) [MD1-21PS](#) [MDM-15SCBRM7-F222](#) [MDM96517-699](#) [MDM96521-744](#) [MDVB1-21SL1](#) [MIK0-1-7SH003](#) [MIKQ6-7SH076](#) [MIKQ7-7PH077](#) [MIKQ7-7PH11](#) [MIKQ7-7PH32](#) [MIKQ9-7PH003](#) [MJSV-28SL61](#) [MKJ4A1F14-55S](#)