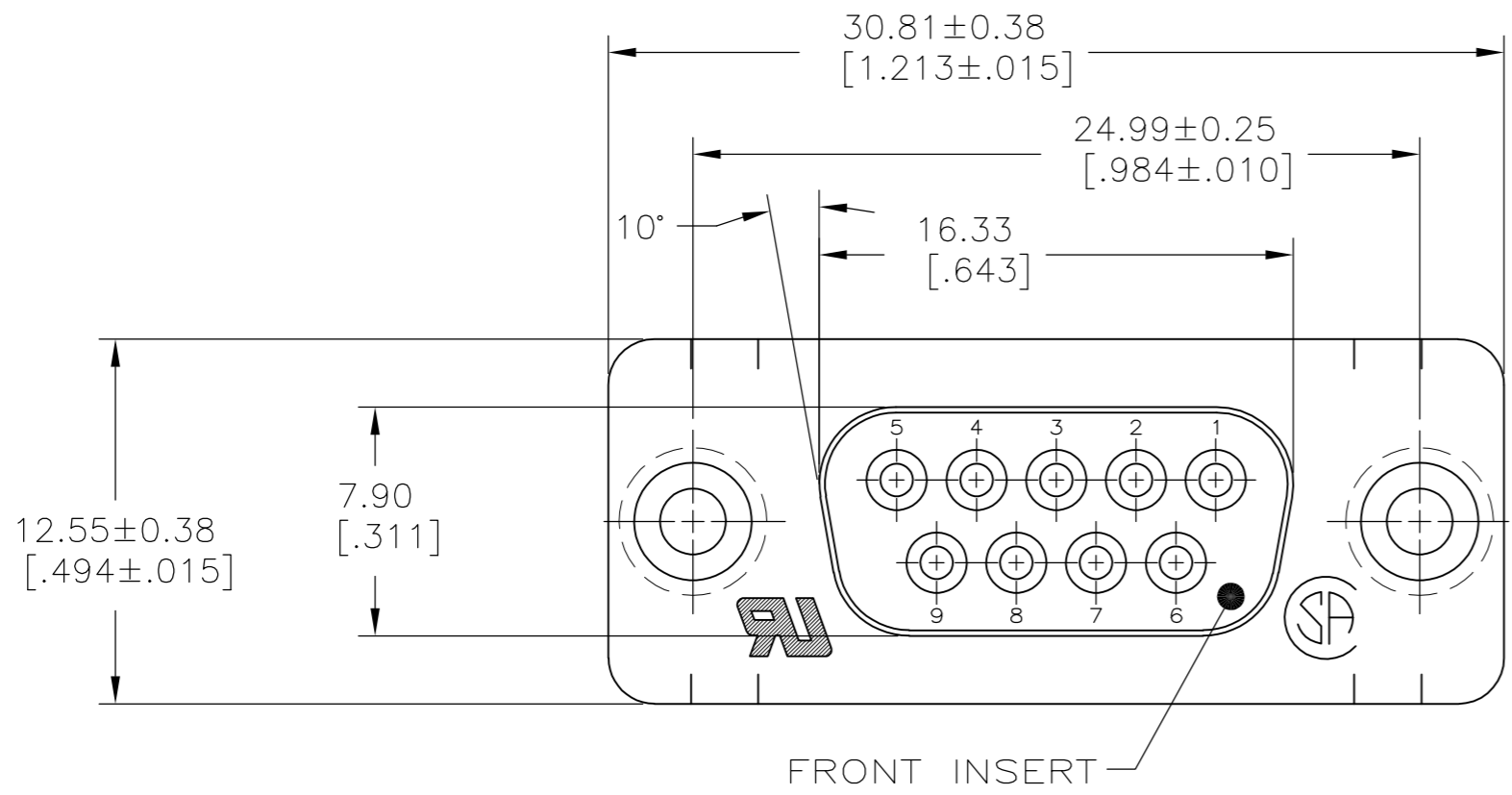
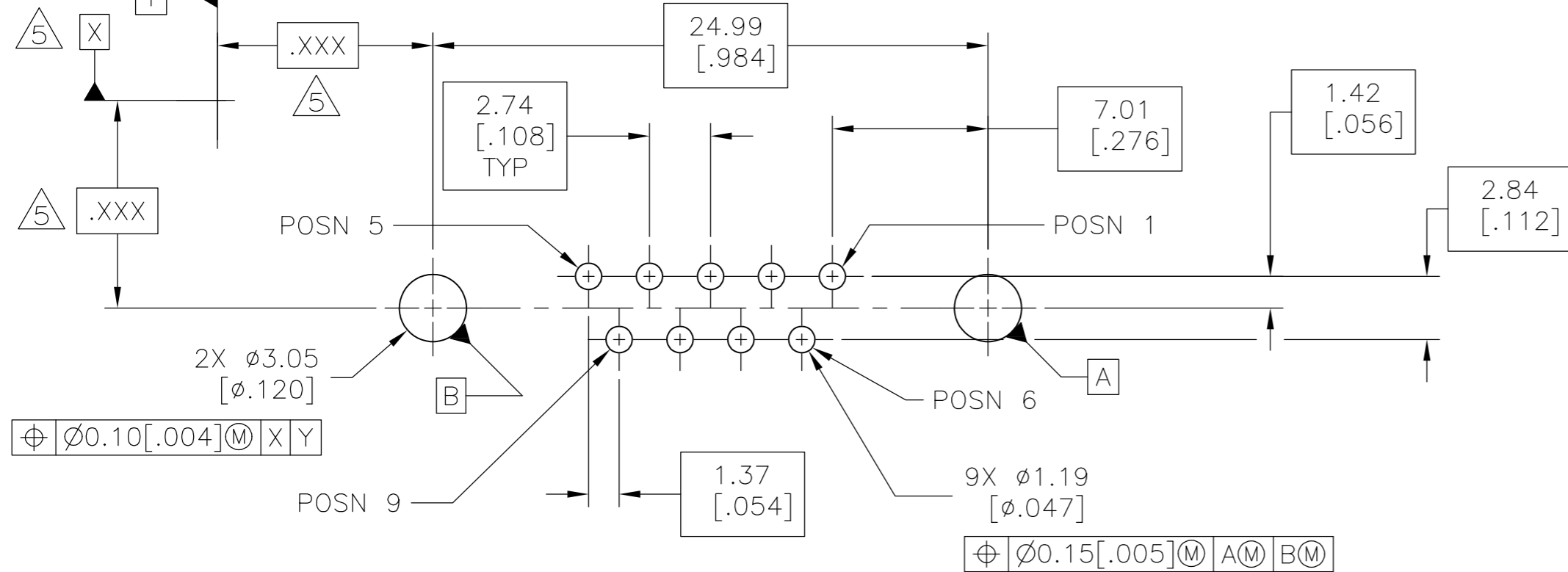
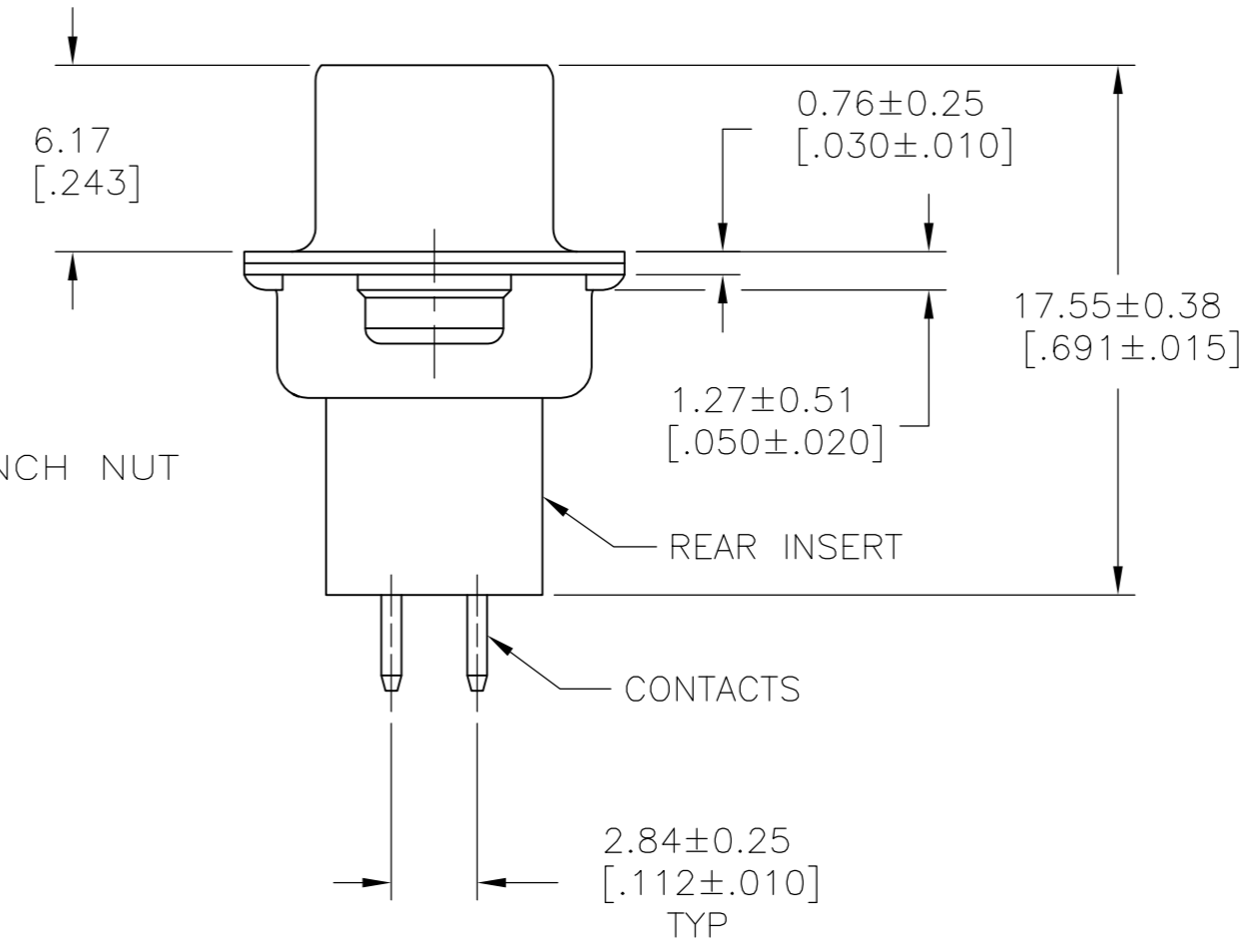
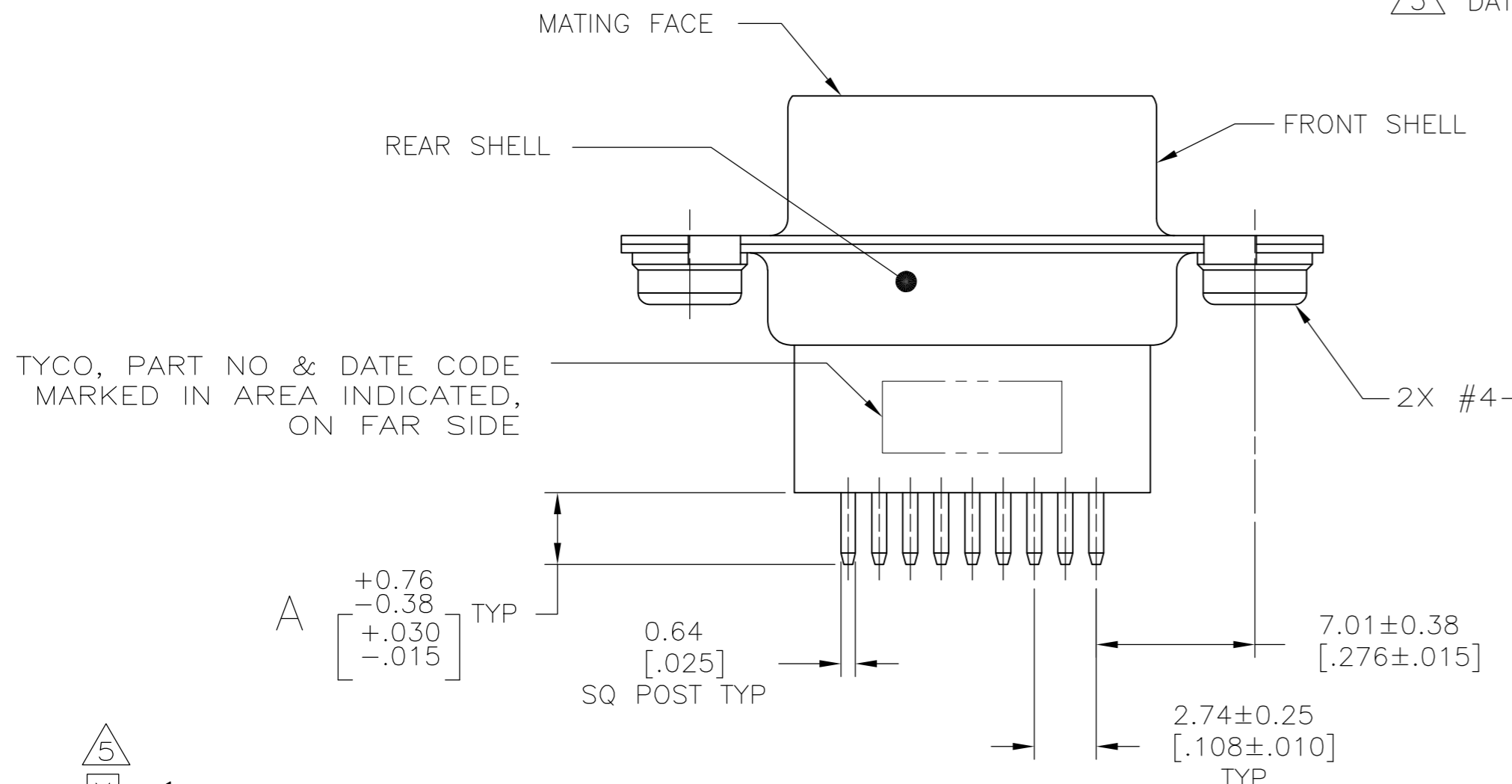


THIS DRAWING IS UNPUBLISHED. RELEASED FOR PUBLICATION
 © COPYRIGHT - E ALL RIGHTS RESERVED.

LOC		DIST		REVISIONS			
P	LTR	DESCRIPTION		DATE	DWN	APVD	
GP	00	E		REVISED PER ECO-14-011808	12AUG2014	AP	SB



- 1 MOLDED PARTS: GLASS-FILLED PBT OR GLASS-FILLED NYLON, UL94V-0 RATED. COLOR: BLACK.
SHELLS: CARBON STEEL
CLINCH NUTS: CARBON STEEL
CONTACTS: PHOSPHOR BRONZE
- 2 SHELLS: 5.08 μm [.000200] MIN TIN OVER 2.54 μm [.000100] MIN COPPER.
CONTACTS: SEE TABLE
CLINCH NUTS: CLEAR CHROMATE OVER ZINC PLATING.
- 3 GOLD FLASH FOR A LENGTH OF 1.90 [.075] MIN FROM MATING END, 2.54 μm [.000100] MIN TIN ON OPPOSITE END, BOTH OVER 1.27 μm [.000050] MIN NICKEL.
- 4 0.76 μm [.000030] MIN GOLD FOR A LENGTH OF 1.90 [.075] MIN FROM MATING END, 2.54 μm [.000100] MIN TIN ON OPPOSITE END, BOTH OVER 1.27 μm [.000050] MIN NICKEL.
-OR-
GOLD FLASH OVER PALLADIUM-NICKEL 0.76 μm [.000030] MIN TOTAL FOR A LENGTH OF 1.90 [.075] MIN FROM MATING END, 2.54 μm [.000100] MIN TIN ON OPPOSITE END, BOTH OVER 1.27 μm [.000050] MIN NICKEL.
- 5 DATUMS AND BASIC DIMENSIONS ESTABLISHED BY CUSTOMER.



RECOMMENDED PC BOARD LAYOUT
CONNECTOR SIDE OF BOARD

4	10.85 [.427]	5747190-5
4	4.78 [.188]	5747190-4
4	3.18 [.125]	5747190-2
3	3.18 [.125]	5747190-1
CONTACT FINISH		A PART NO

THIS DRAWING IS A CONTROLLED DOCUMENT.		DWN B. LATTUCA 21SEPT05		
DIMENSIONS: mm [INCHES]		CHK S. BOLASH 21SEPT05		
TOLERANCES UNLESS OTHERWISE SPECIFIED:		APVD M. WALMSLEY 21SEPT05	NAME	
0 PLC ± -	1 PLC ± -	PRODUCT SPEC	RECEPTACLE ASSEMBLY, SIZE 1, 9 POS., VERTICAL, .025 SQ. POSTS, W/CLINCH NUTS, AMPLIMITE HDP	
2 PLC ± .013 [.005]	3 PLC ± -	APPLICATION SPEC	SIZE	CAGE CODE
4 PLC ± -	ANGLES ± -	FINISH	114-40013	00779
MATERIAL		WEIGHT	DRAWING NO	
1		CUSTOMER DRAWING		RESTRICTED TO
2		SCALE NTS		SHEET 1 of 1
		REV E		

X-ON Electronics

Largest Supplier of Electrical and Electronic Components

Click to view similar products for D-Sub Standard Connectors category:

Click to view products by TE Connectivity manufacturer:

Other Similar products are found below :

[56F711-015](#) [012-9507-004](#) [LV242999-142T12](#) [015-0341-000](#) [015-0349-000](#) [015-0372-005](#) [015-0372-008](#) [015-8755-001](#) [020419-0104](#) [012-0467-000](#) [012-0515-000](#) [012-9507-034](#) [012-9507-114](#) [020745-0008](#) [609-25P](#) [M24308/2-23Z](#) [CT2-14S-2PCA34](#) [CT2-18-11PCAU](#) [CT2-36-15SC](#) [CT6-14S-2SC](#) [CT6E14SA7SC](#) [CT6E22-14PC](#) [CT6E22-14PS](#) [CT6E22-22PS](#) [M83513/01-FC](#) [M85049/48-3-2F](#) [6STD09PCM99B70X](#) [6STD09SCM99B30X](#) [6STD09SCT99S40X](#) [6STD15PCT99S40X](#) [6STD15SCM99B30X](#) [6STD15SCT99S40X](#) [6STF09PCM05B70X](#) [7-135760-9](#) [MC11E-10-6SN](#) [747552-3](#) [MD1-21PS](#) [MDM-15SCBRM7-F222](#) [MDM96517-699](#) [MDM96521-744](#) [MDVB1-21SL1](#) [MIK0-1-7SH003](#) [MIKQ6-7SH076](#) [MIKQ7-7PH077](#) [MIKQ7-7PH11](#) [MIKQ7-7PH32](#) [MIKQ9-7PH003](#) [MJSV-28SL61](#) [MKJ4A1F14-55S](#) [8-135760-3](#)