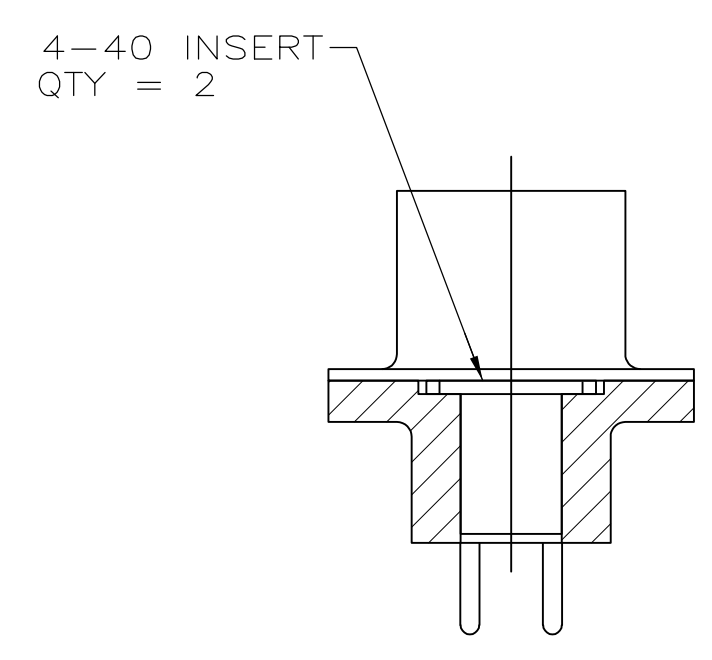
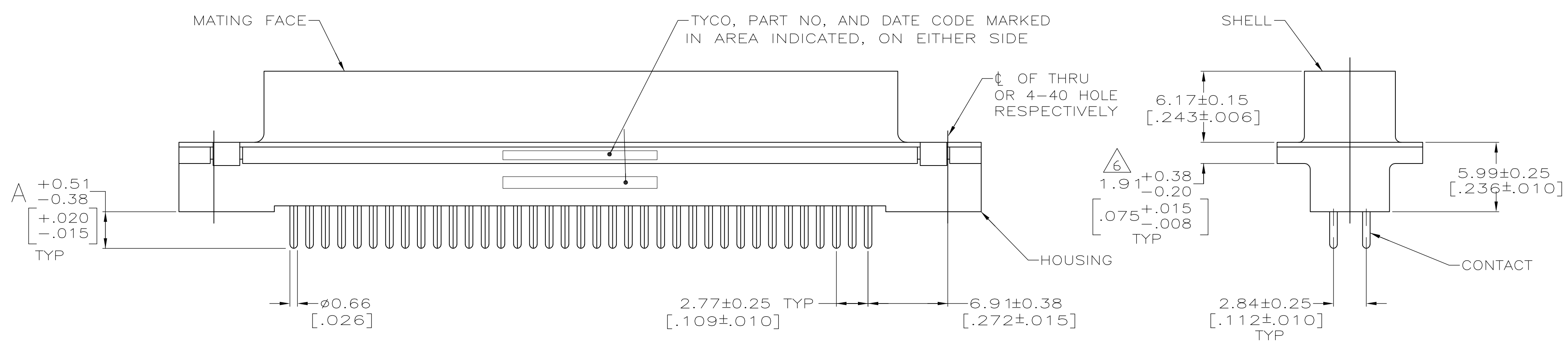
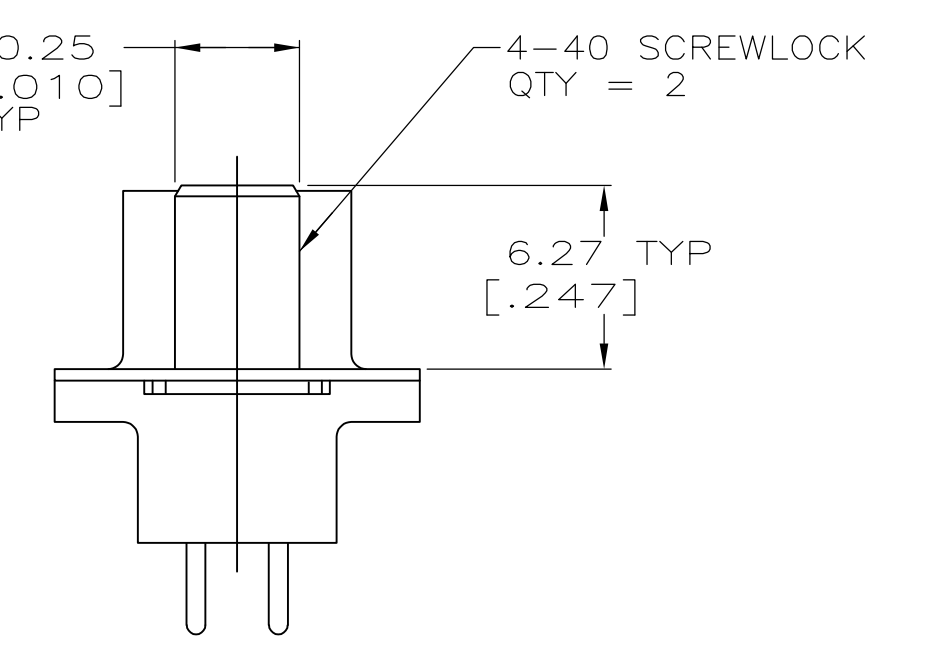


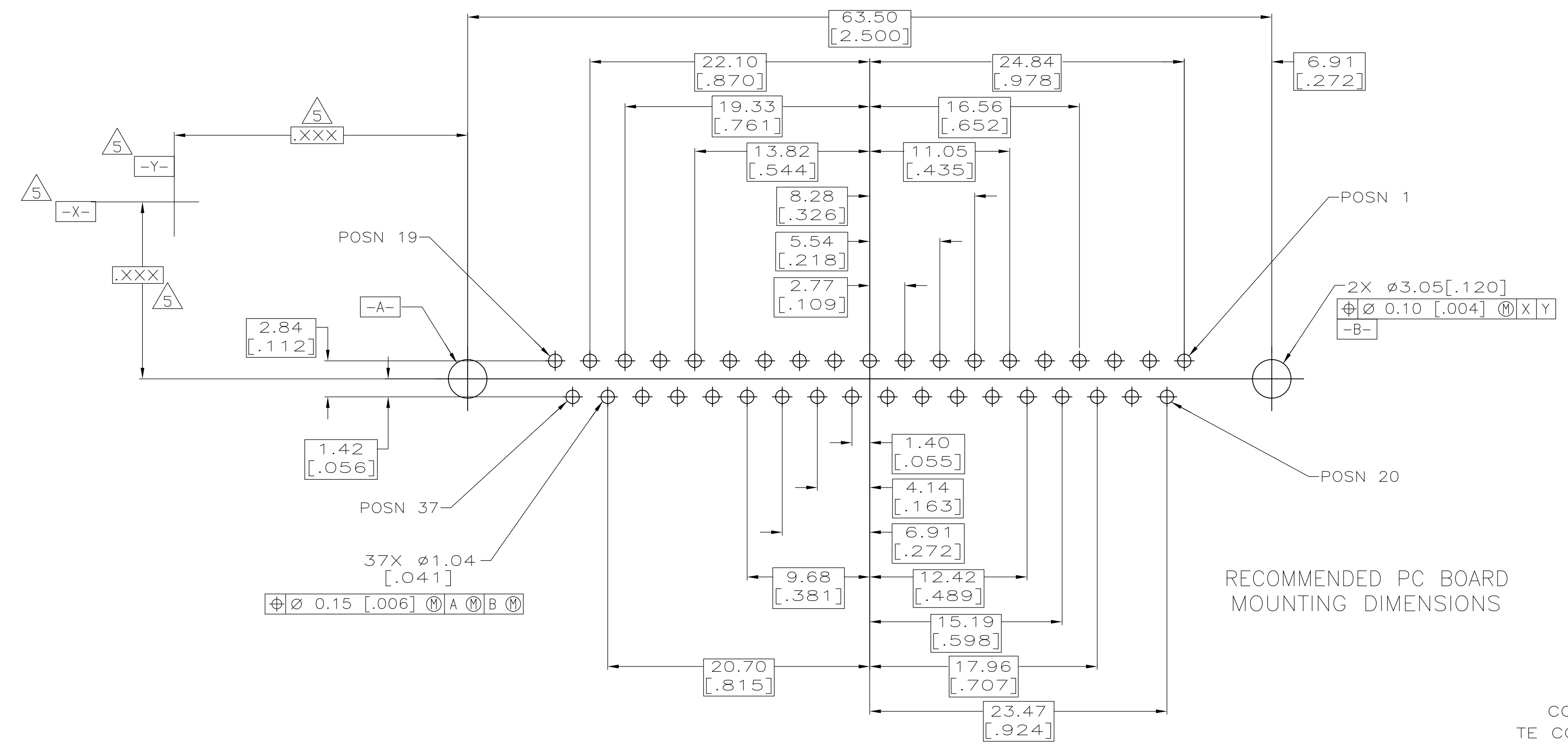
- 1 HOUSING: BLACK POLYESTER, UL 94V-0 RATED
CONTACTS: PHOSPHOR BRONZE
SHELL: CARBON STEEL
SCREWLOCKS: ZINC
INSERTS: BRASS
- 2 SHELL: 5.08µm[.000200] MIN TIN OVER 2.54µm[.000100] MIN COPPER.
CONTACTS: SEE TABLE
INSERTS: UNPLATED
SCREWLOCKS: CLEAR CHROMATE.
- 3 GOLD FLASH FOR A LENGTH OF 2.54 [.100] MIN FROM MATING END, 2.54µm[.000100] MIN TIN ON OPPOSITE END, BOTH OVER 1.27µm[.000050] MIN NICKEL.
- 4 0.76µm[.000030] MIN GOLD FOR A LENGTH OF 2.54 [.100] MIN FROM MATING END, 2.54µm[.000100] MIN TIN ON OPPOSITE END, BOTH OVER 1.27µm[.000050] MIN NICKEL.
- 5 DATUMS AND BASIC DIMENSIONS ESTABLISHED BY CUSTOMERS.
- 6 2.79 [.110] MAX IN SHELL TAB CLINCH AREAS.



DETAIL D



DETAIL E



RECOMMENDED PC BOARD MOUNTING DIMENSIONS

COPYRIGHT 2005
TE CONNECTIVITY CORP
ALL RIGHTS RESERVED

4.32 [.170]	4-40 SCREWLOCK (DETAIL E)	4	1-5747301-6
3.18 [.125]	4-40 SCREWLOCK (DETAIL E)	4	1-5747301-4
3.18 [.125]	4-40 INSERT (DETAIL D)	4	5747301-8
3.18 [.125]	4-40 INSERT (DETAIL D)	3	5747301-7
3.18 [.125]	-	1	5747301-2
A	MOUNTING HARDWARE	CONTACT FINISH	PART NO

THIS DRAWING IS A CONTROLLED DOCUMENT.		OWN: B. LATTUCA 22SEPT05	TE Connectivity	
DIMENSIONS: mm[INCHES]		CHK: S. BOLASH 22SEPT05	PRODUCT SPEC	
TOLERANCES UNLESS OTHERWISE SPECIFIED:		APVD: M. WALMSLEY 22SEPT05	NAME	
0 PLC ± -	1 PLC ± -	108-40025		
2 PLC ± 0.13 [005]	3 PLC ± -	APPLICATION SPEC		
4 PLC ± -	ANGLES ± -	114-40023		
MATERIAL	FINISH	WEIGHT	SIZE: A1	CAGE CODE: 00779
1	2	-	DRAWING NO: 5747301	REV: -
CUSTOMER DRAWING		SCALE: 4:1	SHEET: 1 OF 1	REV: A1

X-ON Electronics

Largest Supplier of Electrical and Electronic Components

Click to view similar products for [D-Sub Standard Connectors](#) category:

Click to view products by [TE Connectivity](#) manufacturer:

Other Similar products are found below :

[56F711-015](#) [012-9507-004](#) [LV242999-142T12](#) [015-0341-000](#) [015-0372-005](#) [015-0372-008](#) [015-8755-001](#) [020419-0104](#) [012-0467-000](#) [012-0515-000](#) [012-9507-034](#) [012-9507-114](#) [020745-0008](#) [609-25P](#) [M24308/2-23Z](#) [CT2-14S-2PCA34](#) [CT2-18-11PCAU](#) [CT6-10SL-3SC](#) [CT6-10SL-4SC](#) [CT6-14S-2SC](#) [CT6E14SA7SC](#) [M83513/01-FC](#) [M83723/76W24619 L/C](#) [M85049/48-3-2F](#) [6STD09PCM99B70X](#) [6STD09SCM99B30X](#) [6STD09SCT99S40X](#) [6STD15PCT99S40X](#) [6STD15SCM99B30X](#) [6STD15SCT99S40X](#) [6STF09PCM05B70X](#) [7-135760-9](#) [MC11E-10-6SN](#) [747552-3](#) [MD1-21PS](#) [MDM-15SCBRM7-F222](#) [MDM96517-699](#) [MDM96521-744](#) [MDVB1-21SL1](#) [MIK0-1-7SH003](#) [MIKQ6-7SH076](#) [MIKQ7-7PH077](#) [MIKQ7-7PH11](#) [MIKQ7-7PH32](#) [MJSV-28SL61](#) [MKJ4A1F14-55S](#) [8-135760-3](#) [8STD09PCM99B30X](#) [PG-KV/PV-16-GROM-SEALING](#) [GDA15P](#)