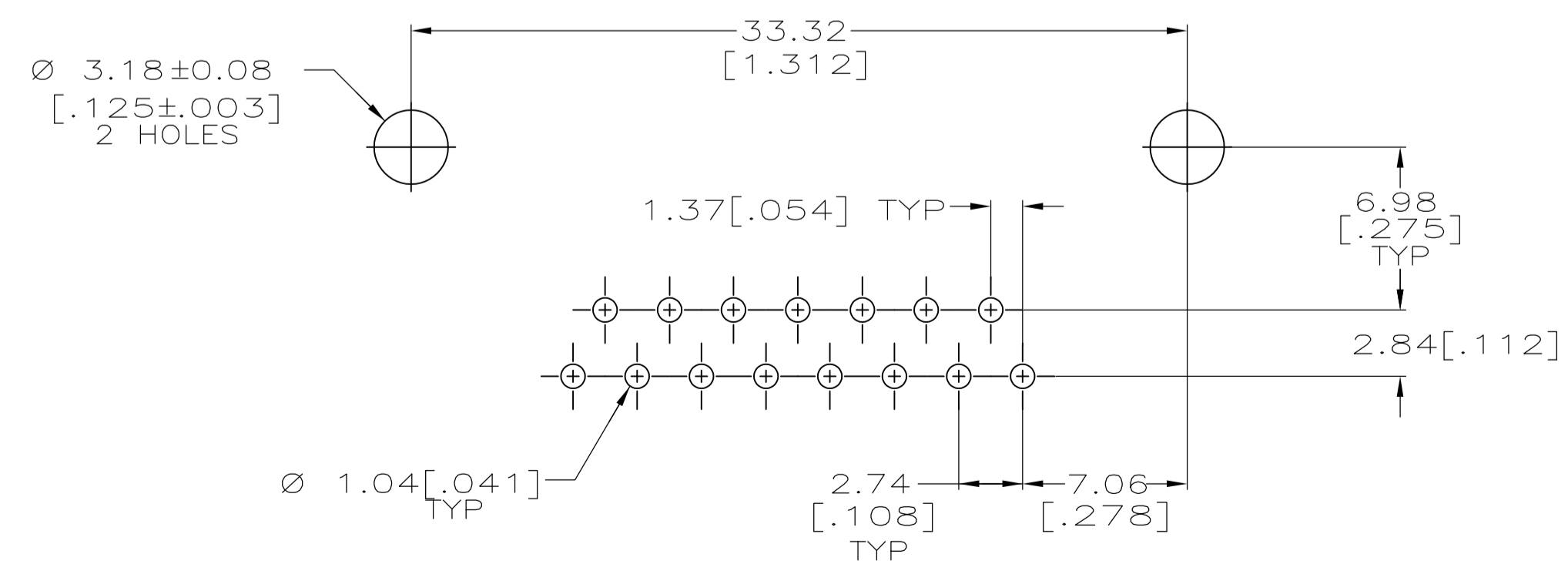
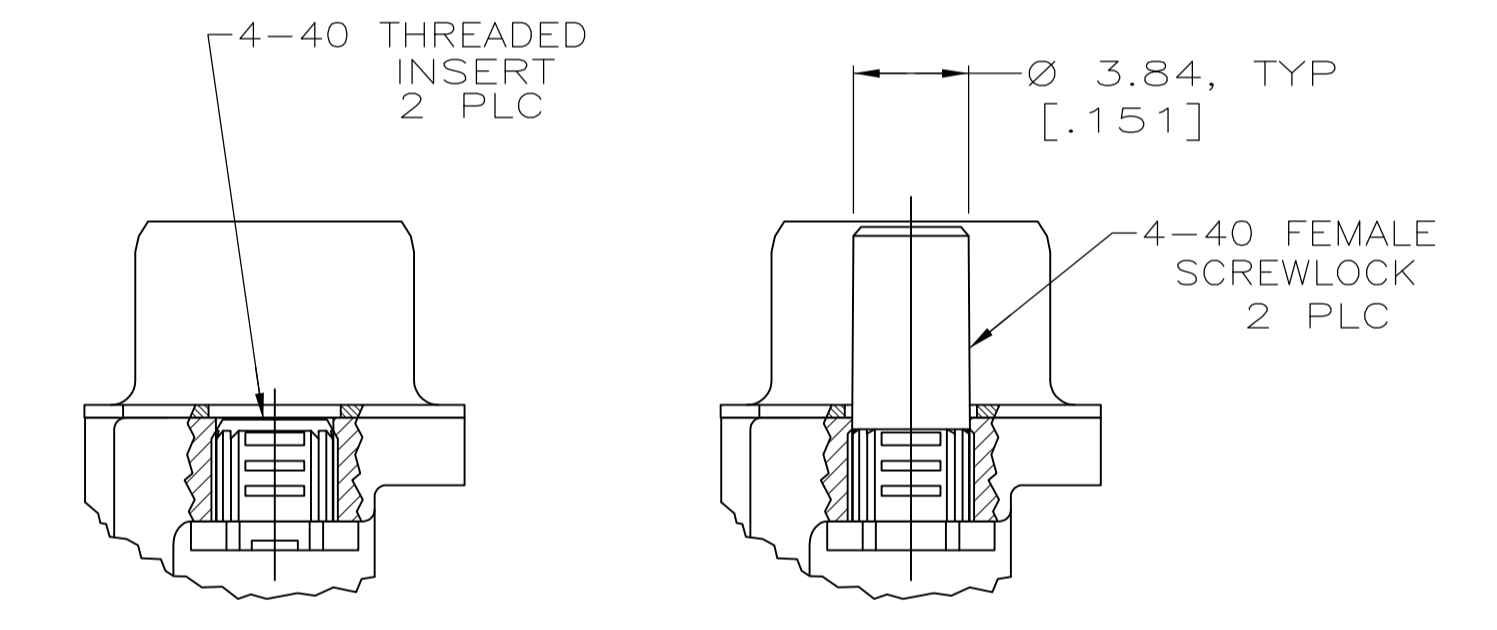
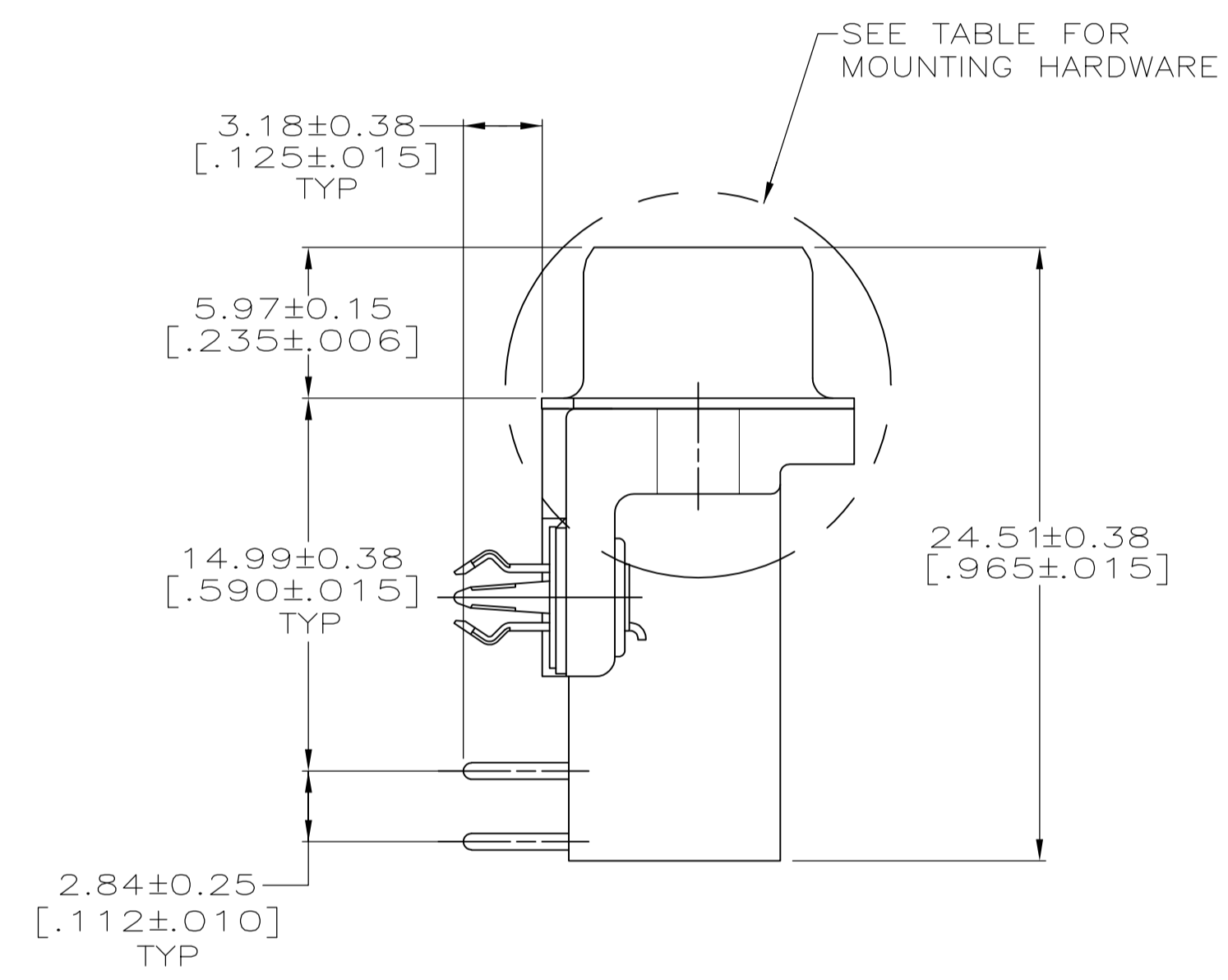
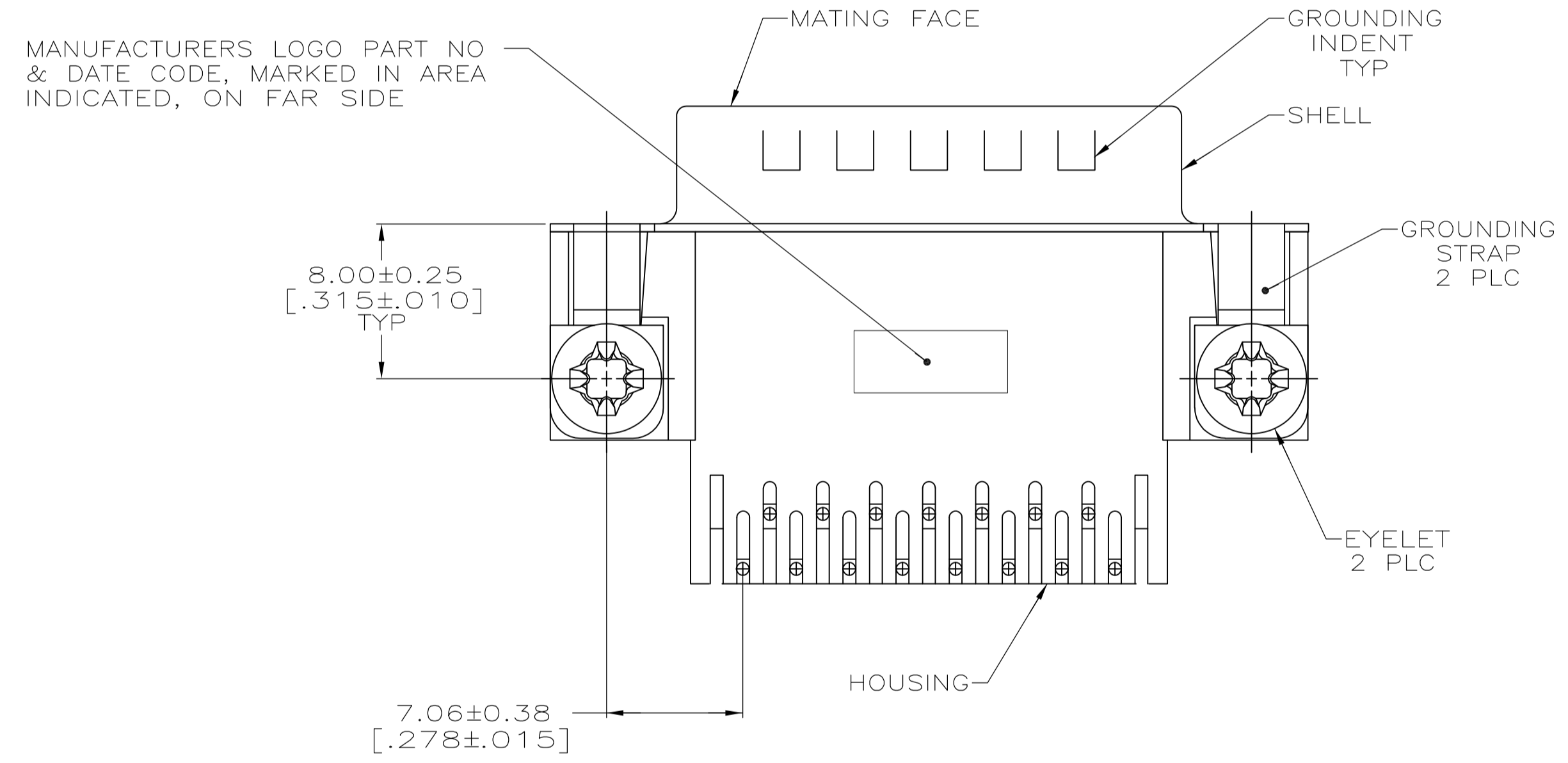
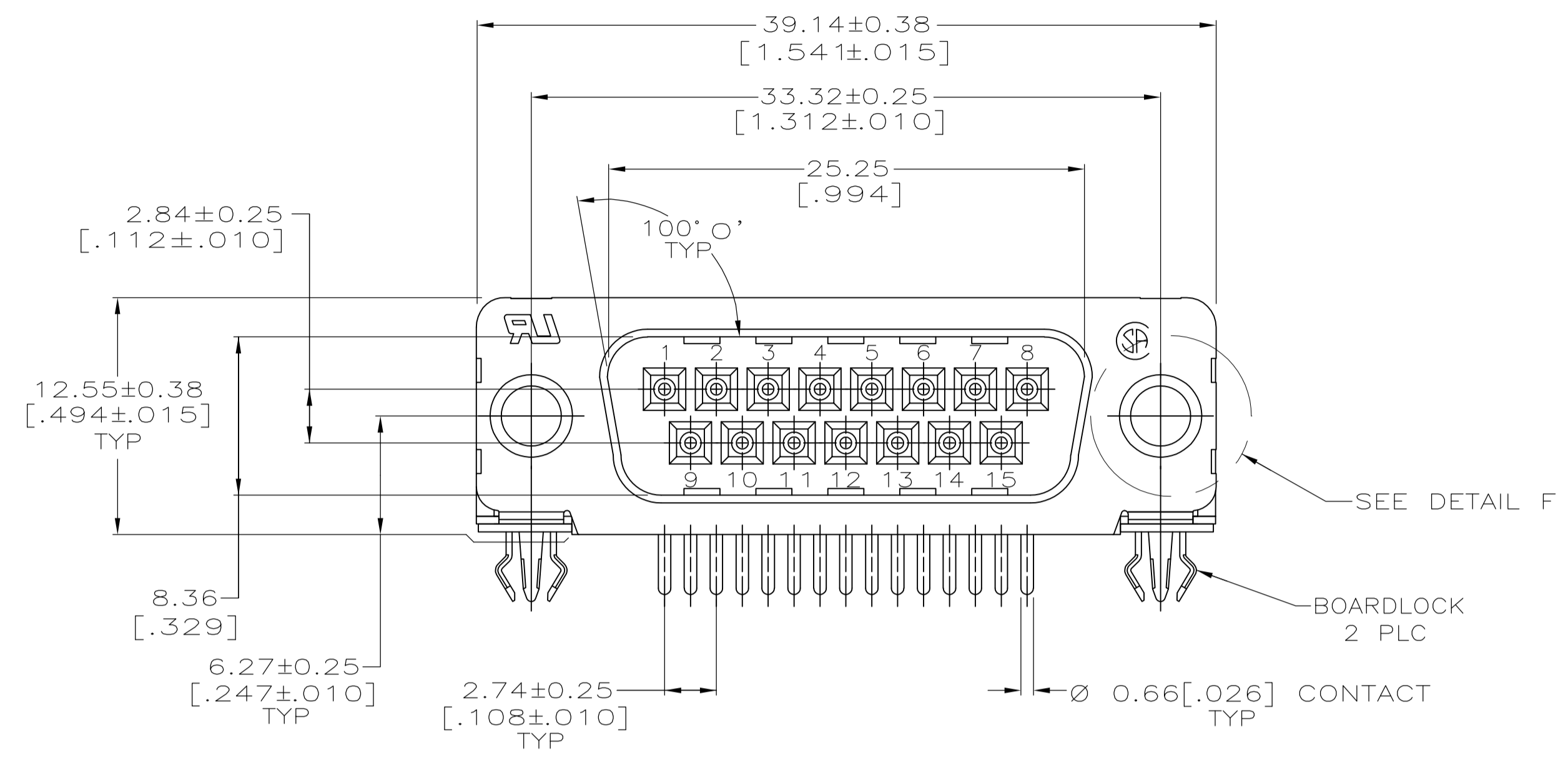
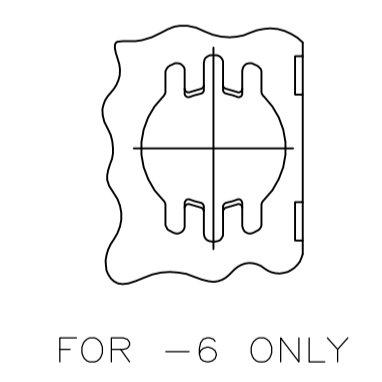


LOC		DIST		REVISIONS			
P	LTR	DATE	DMN	APVD			
C	REVISED PER ECO-12-022391	02JAN2013	CJV	SLB			



P.C. BOARD MOUNTING DIMENSIONS
P.C. BOARD THICKNESS: 1.57 [.062]

- 1 HOUSING: NYLON OR POLYESTER, FLAME RETARDANT, UL 94V-0 RATED, GLASS FILLED, BLACK.
CONTACTS: BRASS
SHELL: CARBON STEEL
EYELETS: BRASS
SCREWLOCKS & INSERTS: ZINC
BOARDLOCKS: COPPER ALLOY
- 2 SHELL: 2.54µm [.000100] MIN TIN OVER 1.27µm [.000050] MIN COPPER.
EYELETS: 2.54µm [.000100] MIN TIN OVER COPPER FLASH.
BOARDLOCKS: 3.81µm [.000150] MIN TIN OVER 1.27µm [.000050] MIN NICKEL.
CONTACTS: 0.76µm [.000030] MIN GOLD PLATE ON THE MATING SURFACES, 2.54µm [.000100] MIN TIN PLATE ON THE SOLDER END, 1.27µm [.000050] MIN NICKEL UNDERPLATE ON THE ENTIRE CONTACT
-OR-
GOLD FLASH OVER PALLADIUM-NICKEL PLATE, 0.76µm [.000030] MIN TOTAL ON THE MATING SURFACES, 2.54µm [.000100] MIN TIN PLATE ON THE SOLDER END, 1.27µm [.000050] MIN NICKEL UNDERPLATE ON THE ENTIRE CONTACT.



DETAIL F
2 PLC

SEE DETAIL E	5747833-6
SEE DETAIL D	5747833-4
MOUNTING HARDWARE	PART NUMBER

THIS DRAWING IS A CONTROLLED DOCUMENT. DIMENSIONING AND TOLERANCING PER ASME Y14.5M-2009		DIN G. ATTADIA - DOCKS 04-11-05 C/K S. BOLASH 04-11-05		APVD M. WALMSLEY 04-11-05		NAME																																			
DIMENSIONS: mm [INCHES]		TOLERANCES UNLESS OTHERWISE SPECIFIED:		PRODUCT SPEC		APPLICATION SPEC																																			
<table border="1"> <tr><td>0 PLC</td><td>± -</td></tr> <tr><td>1 PLC</td><td>± -</td></tr> <tr><td>2 PLC</td><td>± -</td></tr> <tr><td>3 PLC</td><td>± 0.13 [.005]</td></tr> <tr><td>4 PLC</td><td>± -</td></tr> <tr><td>ANGLES</td><td>± 2°</td></tr> </table>		0 PLC	± -	1 PLC	± -	2 PLC	± -	3 PLC	± 0.13 [.005]	4 PLC	± -	ANGLES	± 2°	<table border="1"> <tr><td>SIZE</td><td>108-40025</td></tr> <tr><td>WEIGHT</td><td>114-40010</td></tr> </table>		SIZE	108-40025	WEIGHT	114-40010	<table border="1"> <tr><td>SCALE</td><td>4:1</td></tr> <tr><td>SHEET</td><td>1 of 1</td></tr> <tr><td>REV</td><td>C</td></tr> </table>		SCALE	4:1	SHEET	1 of 1	REV	C	<table border="1"> <tr><td>CUSTOMER DRAWING</td><td>SCALE</td><td>4:1</td></tr> <tr><td>SCALE</td><td>4:1</td><td>SHEET</td></tr> <tr><td>SHEET</td><td>1 of 1</td><td>REV</td></tr> <tr><td>REV</td><td>C</td><td></td></tr> </table>		CUSTOMER DRAWING	SCALE	4:1	SCALE	4:1	SHEET	SHEET	1 of 1	REV	REV	C	
0 PLC	± -																																								
1 PLC	± -																																								
2 PLC	± -																																								
3 PLC	± 0.13 [.005]																																								
4 PLC	± -																																								
ANGLES	± 2°																																								
SIZE	108-40025																																								
WEIGHT	114-40010																																								
SCALE	4:1																																								
SHEET	1 of 1																																								
REV	C																																								
CUSTOMER DRAWING	SCALE	4:1																																							
SCALE	4:1	SHEET																																							
SHEET	1 of 1	REV																																							
REV	C																																								
MATERIAL				FINISH																																					

COPYRIGHT 2005
TYCO ELECTRONICS CORP
ALL RIGHTS RESERVED

X-ON Electronics

Largest Supplier of Electrical and Electronic Components

Click to view similar products for [D-Sub Standard Connectors](#) category:

Click to view products by [TE Connectivity](#) manufacturer:

Other Similar products are found below :

[56F711-015](#) [012-9507-004](#) [LV242999-142T12](#) [015-0341-000](#) [015-0349-000](#) [015-0372-005](#) [015-0372-008](#) [015-8755-001](#) [020419-0104](#) [012-0467-000](#) [012-0515-000](#) [012-9507-034](#) [012-9507-114](#) [020745-0008](#) [609-25P](#) [CT2-14S-2PCA34](#) [CT2-18-11PCAU](#) [CT2-36-15SC](#) [CT6-14S-2SC](#) [CT6E14SA7SC](#) [CT6E22-14PC](#) [CT6E22-14PS](#) [CT6E22-22PS](#) [M83513/01-FC](#) [M85049/48-3-2F](#) [6STD09PCM99B70X](#) [6STD09SCM99B30X](#) [6STD09SCT99S40X](#) [6STD15PCT99S40X](#) [6STD15SCM99B30X](#) [6STD15SCT99S40X](#) [6STF09PCM05B70X](#) [7-135760-9](#) [MC11E-10-6SN](#) [747552-3](#) [MD1-21PS](#) [MDM-15SCBRM7-F222](#) [MDM96517-699](#) [MDM96521-744](#) [MDVB1-21SL1](#) [MIK0-1-7SH003](#) [MIKQ6-7SH076](#) [MIKQ7-7PH077](#) [MIKQ7-7PH11](#) [MIKQ7-7PH32](#) [MIKQ9-7PH003](#) [MJSV-28SL61](#) [MKJ4A1F14-55S](#) [8-135760-3](#) [8STD09PCM99B30X](#)