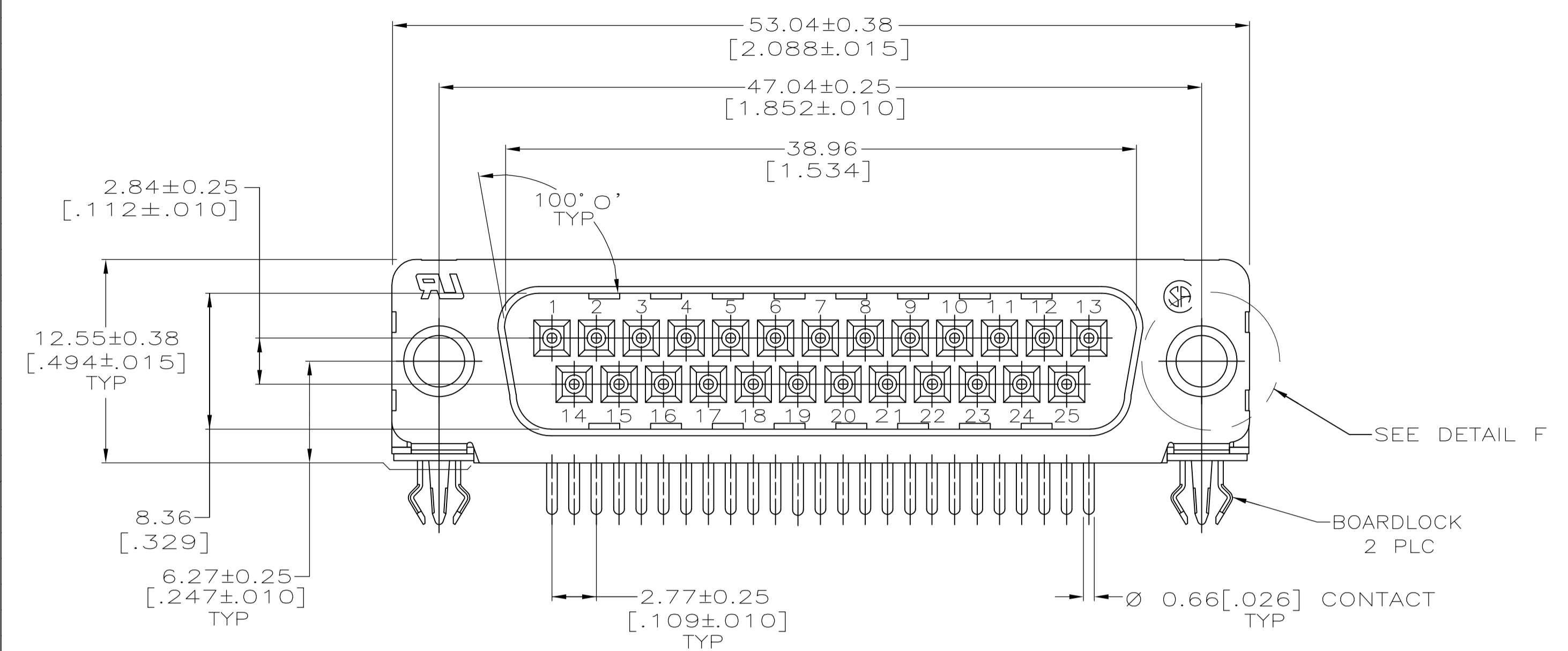
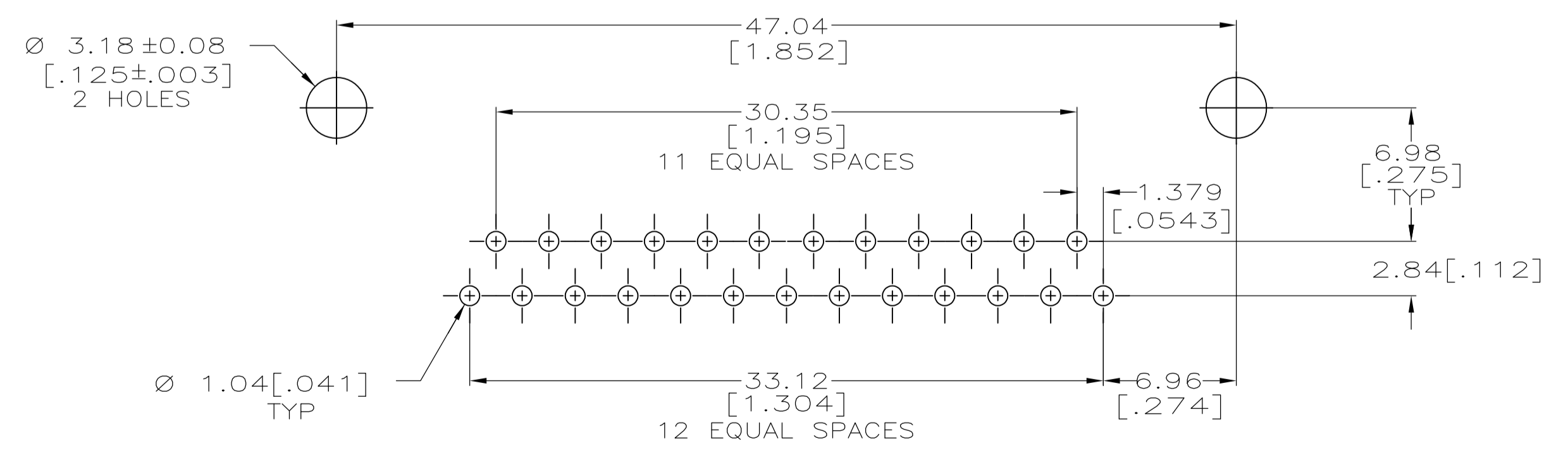
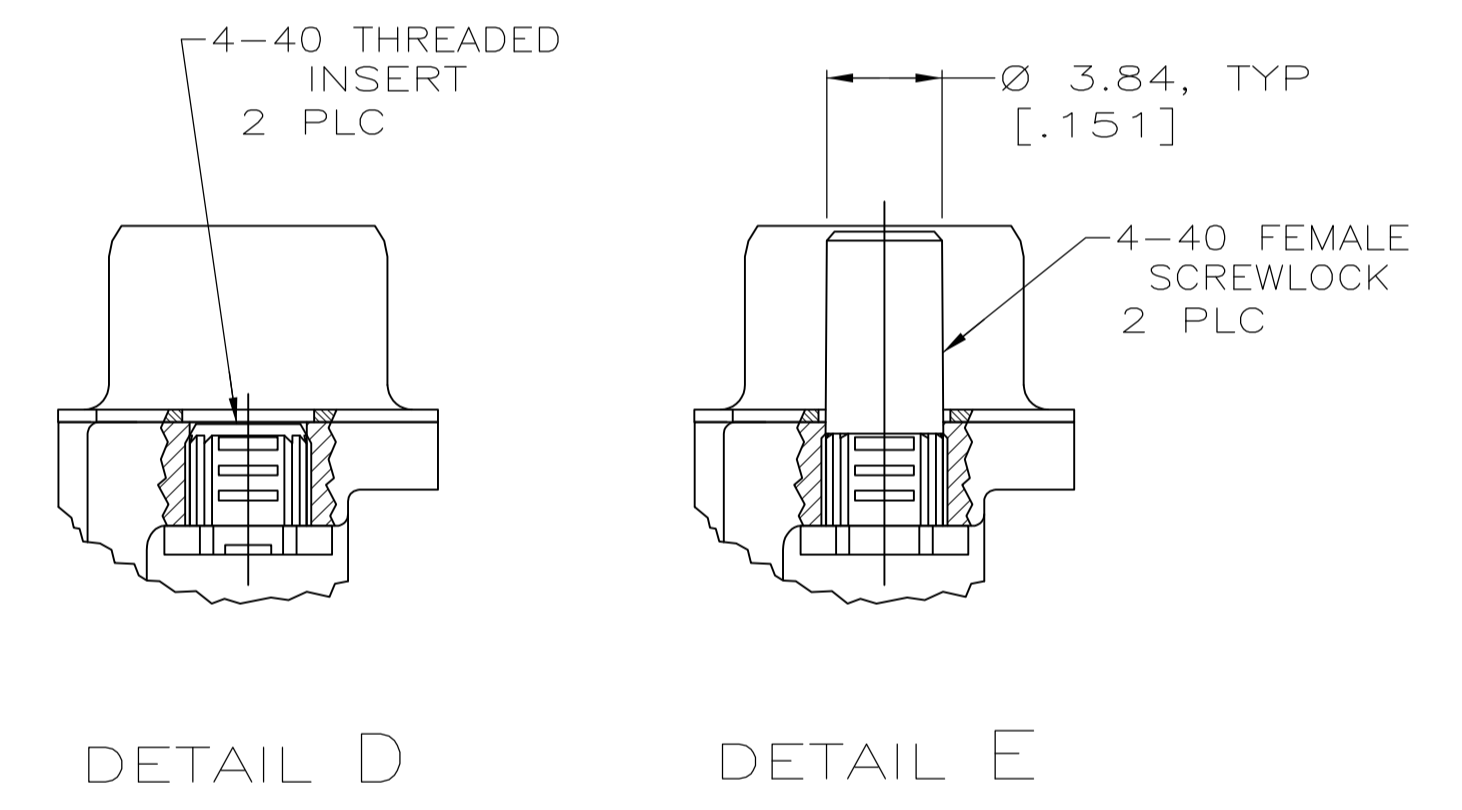
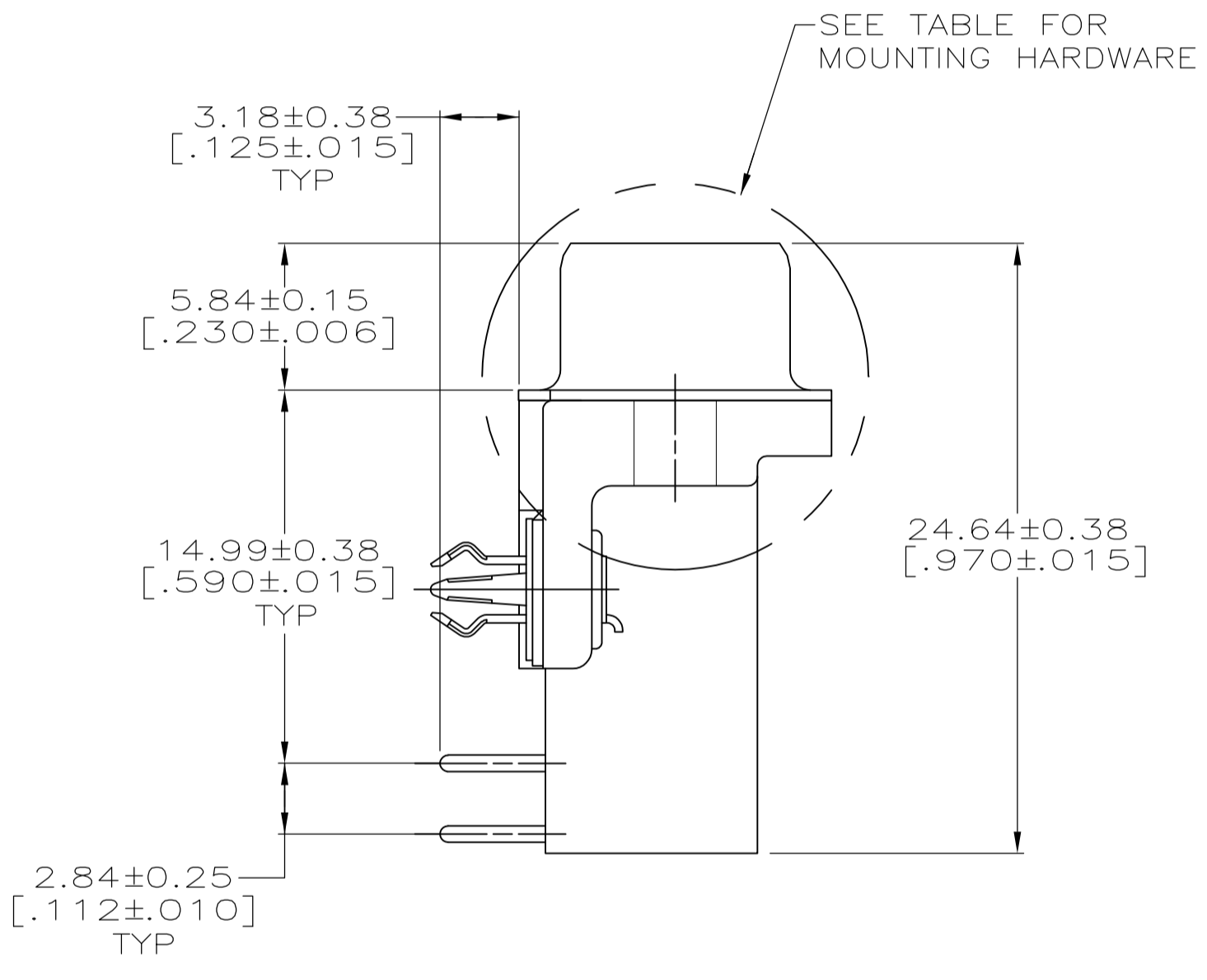
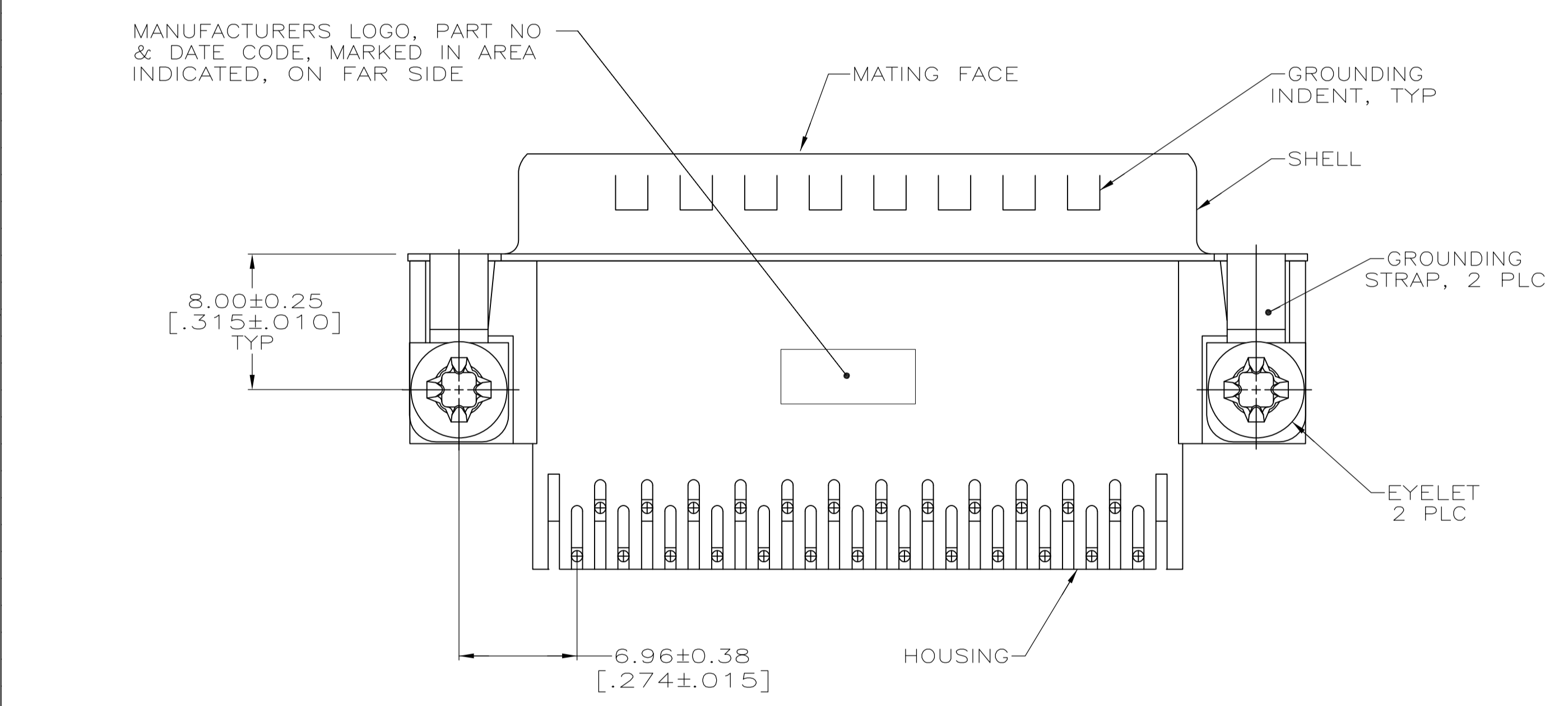


LOC		DIST		REVISIONS			
F	LTR	DESCRIPTION	DATE	DN	APVD		
C		REVISED PER ECO-12-022391	02JAN3013	CJV	SLB		



- 1 HOUSING: NYLON OR POLYESTER, FLAME RETARDANT, UL 94V-0 RATED, GLASS FILLED, BLACK.
CONTACTS: BRASS
SHELL: CARBON STEEL
EYELETS: BRASS.
BOARDLOCKS: COPPER ALLOY
SCREWLOCKS & INSERTS: ZINC
- 2 SHELL: $2.54 \mu\text{m}$ [.000100] MIN TIN OVER $1.27 \mu\text{m}$ [.000050] MIN COPPER.
EYELETS: $2.54 \mu\text{m}$ [.000100] MIN TIN OVER COPPER FLASH.
BOARDLOCKS: $3.81 \mu\text{m}$ [.000150] MIN TIN OVER $1.27 \mu\text{m}$ [.000050] MIN NICKEL.
CONTACTS: $0.76 \mu\text{m}$ [.000030] MIN GOLD PLATE ON THE MATING SURFACES,
 $2.54 \mu\text{m}$ [.000100] MIN TIN PLATE ON THE SOLDER END,
 $1.27 \mu\text{m}$ [.000050] MIN NICKEL UNDERPLATE ON THE ENTIRE CONTACT
-OR-
GOLD FLASH OVER PALLADIUM-NICKEL PLATE, $0.76 \mu\text{m}$ [.000030] MIN TOTAL ON THE MATING SURFACES, $2.54 \mu\text{m}$ [.000100] MIN TIN PLATE ON THE SOLDER END, $1.27 \mu\text{m}$ [.000050] MIN NICKEL UNDERPLATE ON THE ENTIRE CONTACT.
SCREWLOCKS & INSERTS: CLEAR CHROMATE.



RECOMMENDED P.C. BOARD MOUNTING DIMENSIONS
P.C. BOARD THICKNESS: 1.57 [.062]

COPYRIGHT 2005
TYCO ELECTRONICS CORP
ALL RIGHTS RESERVED

SEE DETAIL E	5747834-6
SEE DETAIL D	5747834-4
MOUNTING HARDWARE	PART NUMBER

THIS DRAWING IS A CONTROLLED DOCUMENT. DIMENSIONING AND TOLERANCING PER ASME Y14.5M-2009		DIN G. ATTADIA - DOCKS 04-11-05		CJK S. BOLASH 04-11-05		APVD M. WALMSLEY 04-11-05		NAME																																													
DIMENSIONS: mm [INCHES]		TOLERANCES UNLESS OTHERWISE SPECIFIED:		PRODUCT SPEC		APPLICATION SPEC		RESTRICTED TO																																													
<table border="1"> <tr> <td>0 PLC</td> <td>± .005</td> </tr> <tr> <td>1 PLC</td> <td>± .005</td> </tr> <tr> <td>2 PLC</td> <td>± .005</td> </tr> <tr> <td>3 PLC</td> <td>± .010 [.005]</td> </tr> <tr> <td>4 PLC</td> <td>± .010 [.005]</td> </tr> </table>		0 PLC	± .005	1 PLC	± .005	2 PLC	± .005	3 PLC	± .010 [.005]	4 PLC	± .010 [.005]	<table border="1"> <tr> <td>0.005</td> <td>± .005</td> </tr> <tr> <td>0.010</td> <td>± .010</td> </tr> <tr> <td>0.020</td> <td>± .020</td> </tr> <tr> <td>0.050</td> <td>± .050</td> </tr> <tr> <td>0.100</td> <td>± .100</td> </tr> <tr> <td>0.200</td> <td>± .200</td> </tr> <tr> <td>0.500</td> <td>± .500</td> </tr> <tr> <td>1.000</td> <td>± 1.000</td> </tr> <tr> <td>2.000</td> <td>± 2.000</td> </tr> <tr> <td>5.000</td> <td>± 5.000</td> </tr> <tr> <td>10.000</td> <td>± 10.000</td> </tr> </table>		0.005	± .005	0.010	± .010	0.020	± .020	0.050	± .050	0.100	± .100	0.200	± .200	0.500	± .500	1.000	± 1.000	2.000	± 2.000	5.000	± 5.000	10.000	± 10.000	<table border="1"> <tr> <td>SIZE</td> <td>CAGE CODE</td> <td>DRAWING NO</td> <td>RESTRICTED TO</td> </tr> <tr> <td>A1</td> <td>00779</td> <td>5747834</td> <td>-</td> </tr> </table>		SIZE	CAGE CODE	DRAWING NO	RESTRICTED TO	A1	00779	5747834	-	<table border="1"> <tr> <td>SCALE</td> <td>SHEET</td> <td>REV</td> </tr> <tr> <td>4:1</td> <td>1 OF 1</td> <td>C</td> </tr> </table>		SCALE	SHEET	REV	4:1	1 OF 1	C
0 PLC	± .005																																																				
1 PLC	± .005																																																				
2 PLC	± .005																																																				
3 PLC	± .010 [.005]																																																				
4 PLC	± .010 [.005]																																																				
0.005	± .005																																																				
0.010	± .010																																																				
0.020	± .020																																																				
0.050	± .050																																																				
0.100	± .100																																																				
0.200	± .200																																																				
0.500	± .500																																																				
1.000	± 1.000																																																				
2.000	± 2.000																																																				
5.000	± 5.000																																																				
10.000	± 10.000																																																				
SIZE	CAGE CODE	DRAWING NO	RESTRICTED TO																																																		
A1	00779	5747834	-																																																		
SCALE	SHEET	REV																																																			
4:1	1 OF 1	C																																																			
MATERIAL		FINISH		WEIGHT		CUSTOMER DRAWING																																															

X-ON Electronics

Largest Supplier of Electrical and Electronic Components

Click to view similar products for [D-Sub Standard Connectors](#) category:

Click to view products by [TE Connectivity](#) manufacturer:

Other Similar products are found below :

[56F711-015](#) [012-9507-004](#) [LV242999-142T12](#) [015-0341-000](#) [015-0372-005](#) [015-0372-008](#) [015-8755-001](#) [020419-0104](#) [012-0467-000](#) [012-0515-000](#) [012-9507-034](#) [012-9507-114](#) [020745-0008](#) [609-25P](#) [M24308/2-23Z](#) [CT2-14S-2PCA34](#) [CT2-18-11PCAU](#) [CT2-36-15SC](#) [CT6-10SL-3SC](#) [CT6-10SL-4SC](#) [CT6-14S-2SC](#) [CT6E14SA7SC](#) [M83513/01-FC](#) [M83723/76W24619 L/C](#) [M85049/48-3-2F](#) [6STD09PCM99B70X](#) [6STD09SCM99B30X](#) [6STD09SCT99S40X](#) [6STD15PCT99S40X](#) [6STD15SCM99B30X](#) [6STD15SCT99S40X](#) [6STF09PCM05B70X](#) [7-135760-9](#) [MC11E-10-6SN](#) [747552-3](#) [MD1-21PS](#) [MDM-15SCBRM7-F222](#) [MDM96517-699](#) [MDM96521-744](#) [MDVB1-21SL1](#) [MIK0-1-7SH003](#) [MIKQ6-7SH076](#) [MIKQ7-7PH077](#) [MIKQ7-7PH11](#) [MIKQ7-7PH32](#) [MJSV-28SL61](#) [MKJ4A1F14-55S](#) [8-135760-3](#) [8STD09PCM99B30X](#) [PG-KV/PV-16-GROM-SEALING](#)