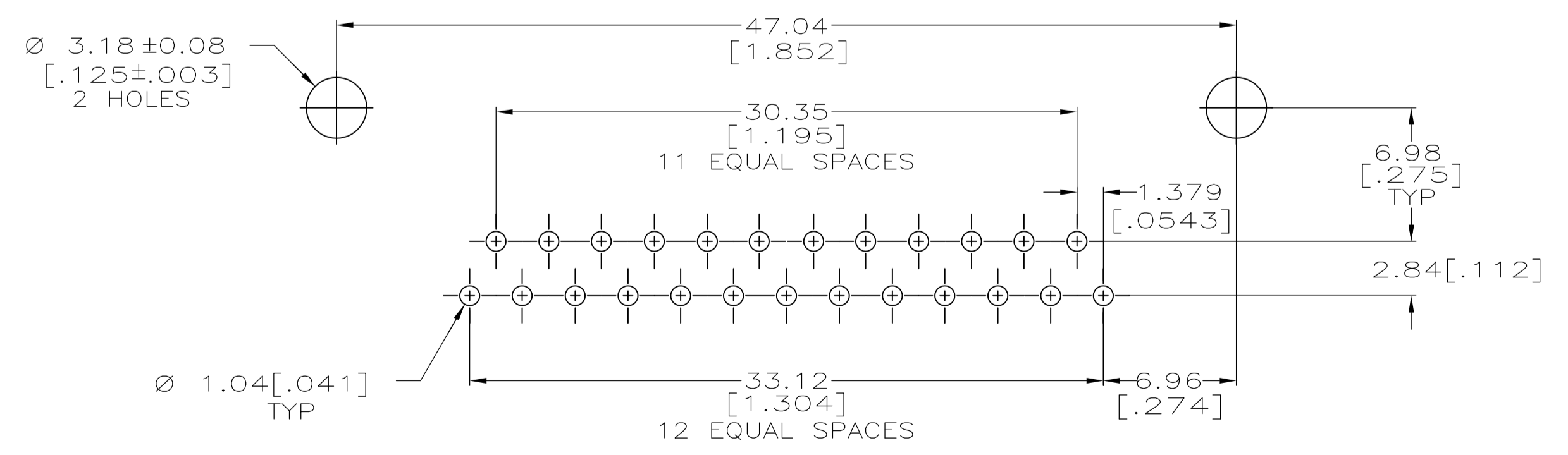
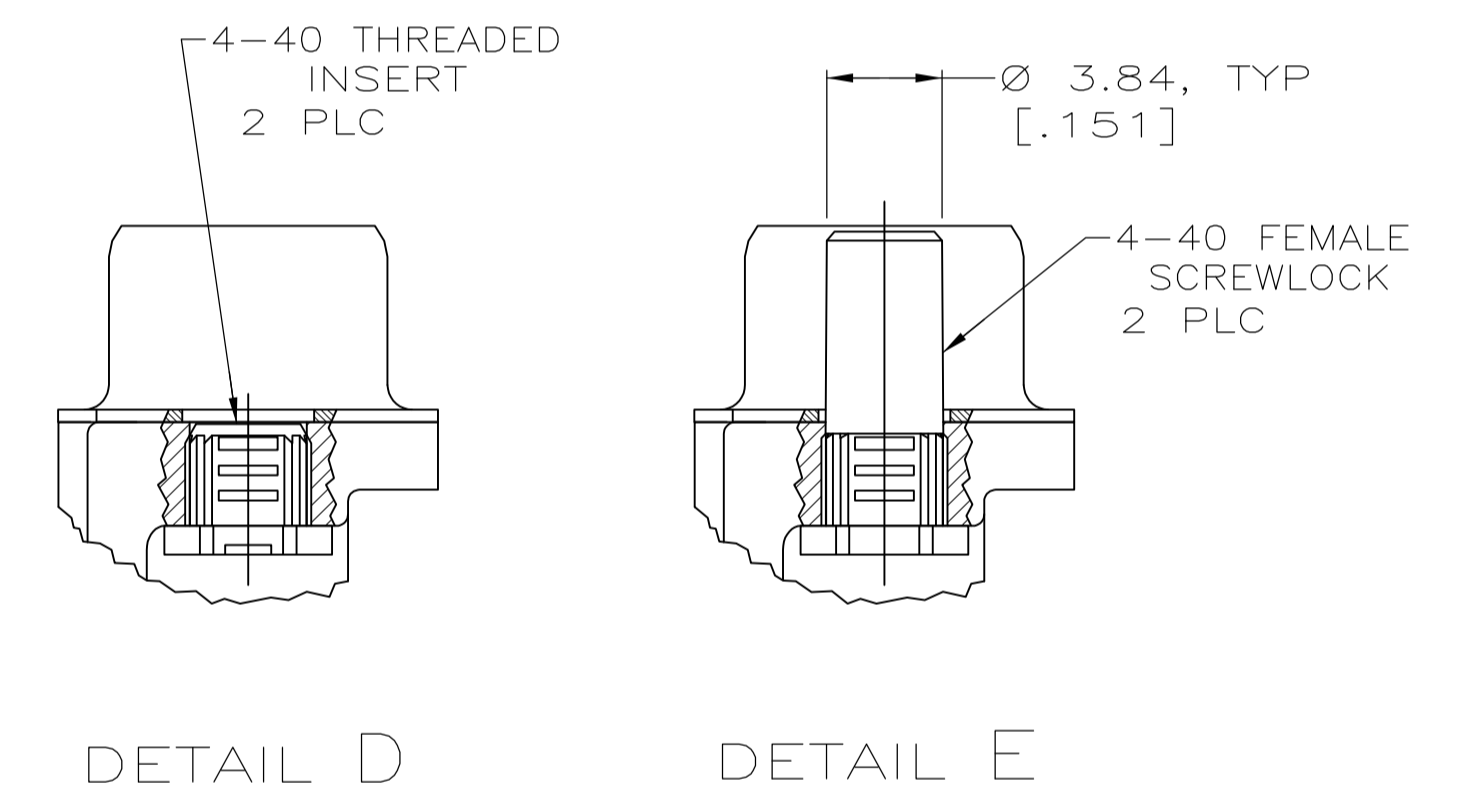
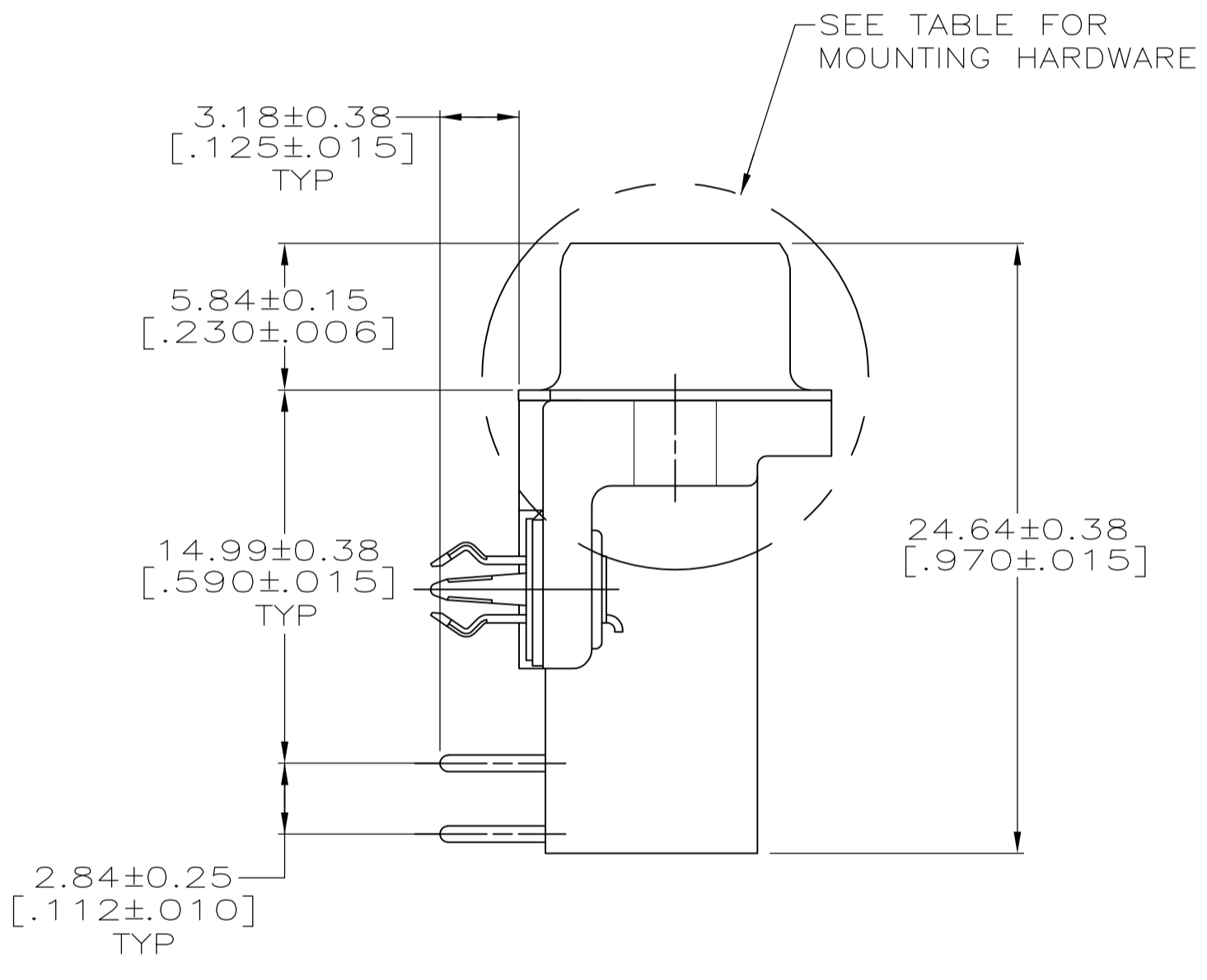
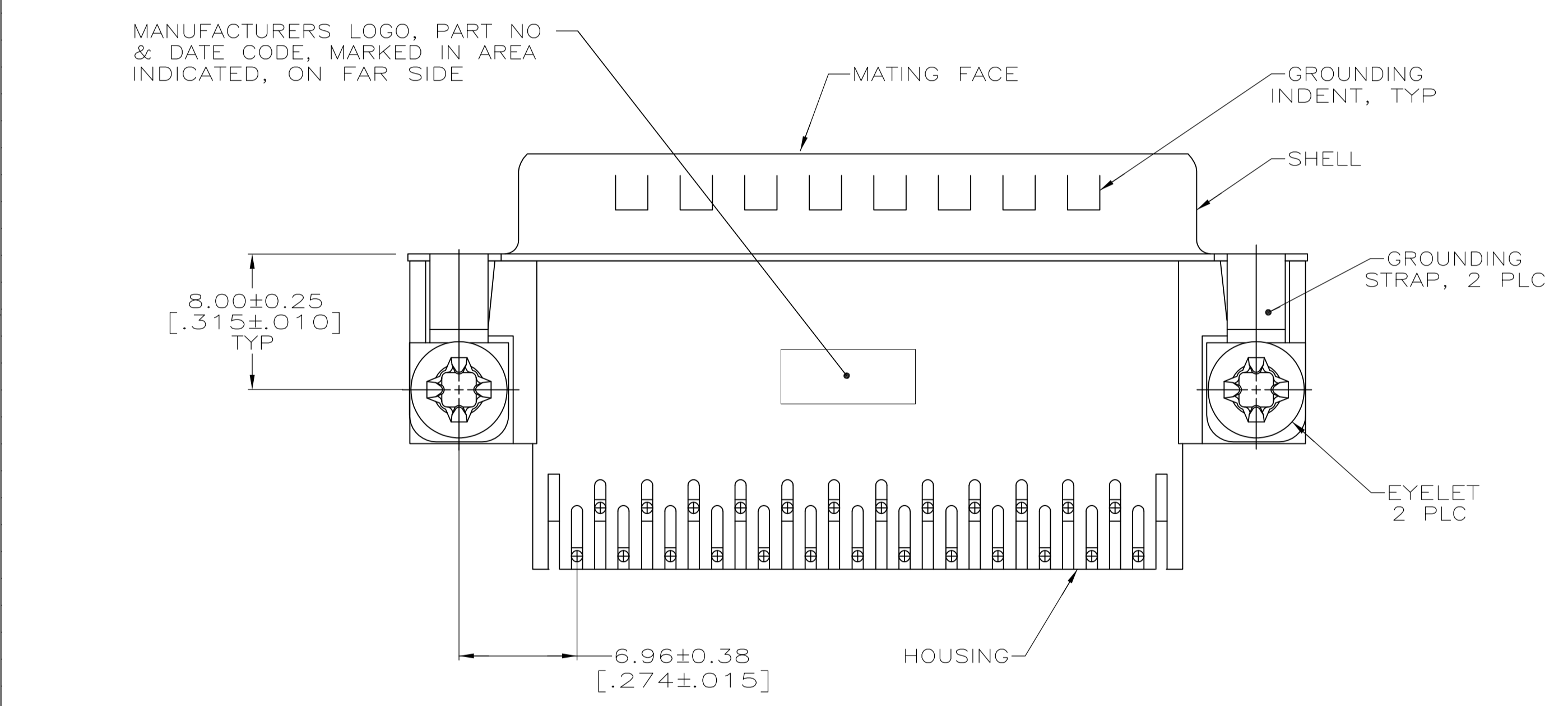


- 1 HOUSING: NYLON OR POLYESTER, FLAME RETARDANT, UL 94V-0 RATED, GLASS FILLED, BLACK.
CONTACTS: BRASS
SHELL: CARBON STEEL
EYELETS: BRASS.
BOARDLOCKS: COPPER ALLOY
SCREWLOCKS & INSERTS: ZINC
- 2 SHELL: $2.54 \mu\text{m}$ [.000100] MIN TIN OVER $1.27 \mu\text{m}$ [.000050] MIN COPPER.
EYELETS: $2.54 \mu\text{m}$ [.000100] MIN TIN OVER COPPER FLASH.
BOARDLOCKS: $3.81 \mu\text{m}$ [.000150] MIN TIN OVER $1.27 \mu\text{m}$ [.000050] MIN NICKEL.
CONTACTS: $0.76 \mu\text{m}$ [.000030] MIN GOLD PLATE ON THE MATING SURFACES,
 $2.54 \mu\text{m}$ [.000100] MIN TIN PLATE ON THE SOLDER END,
 $1.27 \mu\text{m}$ [.000050] MIN NICKEL UNDERPLATE ON THE ENTIRE CONTACT
-OR-
GOLD FLASH OVER PALLADIUM-NICKEL PLATE, $0.76 \mu\text{m}$ [.000030] MIN TOTAL ON THE MATING SURFACES, $2.54 \mu\text{m}$ [.000100] MIN TIN PLATE ON THE SOLDER END, $1.27 \mu\text{m}$ [.000050] MIN NICKEL UNDERPLATE ON THE ENTIRE CONTACT.
SCREWLOCKS & INSERTS: CLEAR CHROMATE.



RECOMMENDED P.C. BOARD MOUNTING DIMENSIONS
P.C. BOARD THICKNESS: 1.57 [.062]

COPYRIGHT 2005
TYCO ELECTRONICS CORP
ALL RIGHTS RESERVED

SEE DETAIL E	5747834-6
SEE DETAIL D	5747834-4
MOUNTING HARDWARE	PART NUMBER

THIS DRAWING IS A CONTROLLED DOCUMENT. DIMENSIONING AND TOLERANCING PER ASME Y14.5M-2009		DIN G. ATTADIA - DOCKS 04-11-05		CJK S. BOLASH 04-11-05		APVD M. WALMSLEY 04-11-05		NAME																														
DIMENSIONS: mm [INCHES]		TOLERANCES UNLESS OTHERWISE SPECIFIED:		PRODUCT SPEC		APPLICATION SPEC		RESTRICTED TO																														
<table border="1"> <tr> <td>0 PLC</td> <td>±</td> <td>-</td> </tr> <tr> <td>1 PLC</td> <td>±</td> <td>-</td> </tr> <tr> <td>2 PLC</td> <td>±</td> <td>-</td> </tr> <tr> <td>3 PLC</td> <td>±</td> <td>0.13 [.005]</td> </tr> <tr> <td>4 PLC</td> <td>±</td> <td>-</td> </tr> </table>		0 PLC	±	-	1 PLC	±	-	2 PLC	±	-	3 PLC	±	0.13 [.005]	4 PLC	±	-	<table border="1"> <tr> <td>SIZE</td> <td>CAGE CODE</td> <td>DRAWING NO</td> <td>RESTRICTED TO</td> </tr> <tr> <td>A1</td> <td>00779</td> <td>5747834</td> <td>-</td> </tr> </table>		SIZE	CAGE CODE	DRAWING NO	RESTRICTED TO	A1	00779	5747834	-	<table border="1"> <tr> <td>SCALE</td> <td>SHEET</td> <td>REV</td> </tr> <tr> <td>4:1</td> <td>1 OF 1</td> <td>C</td> </tr> </table>		SCALE	SHEET	REV	4:1	1 OF 1	C			TE Connectivity PLUG ASSEMBLY, SIZE 3, 25 POSITION, RIGHT ANGLE, FRONT METAL SHELL, .590 SERIES, BOARDLOCKS, AMPLIMITE HD-20	
0 PLC	±	-																																				
1 PLC	±	-																																				
2 PLC	±	-																																				
3 PLC	±	0.13 [.005]																																				
4 PLC	±	-																																				
SIZE	CAGE CODE	DRAWING NO	RESTRICTED TO																																			
A1	00779	5747834	-																																			
SCALE	SHEET	REV																																				
4:1	1 OF 1	C																																				
MATERIAL		FINISH		WEIGHT		CUSTOMER DRAWING		SCALE 4:1 SHEET 1 OF 1 REV C																														

X-ON Electronics

Largest Supplier of Electrical and Electronic Components

Click to view similar products for [D-Sub Standard Connectors](#) category:

Click to view products by [TE Connectivity](#) manufacturer:

Other Similar products are found below :

[56F711-015](#) [012-9507-004](#) [LV242999-142T12](#) [015-0341-000](#) [015-0372-005](#) [015-0372-008](#) [015-8755-001](#) [020419-0104](#) [012-0467-000](#) [012-0515-000](#) [012-9507-034](#) [012-9507-114](#) [020745-0008](#) [609-25P](#) [M24308/2-23Z](#) [CT2-14S-2PCA34](#) [CT2-18-11PCAU](#) [CT6-10SL-3SC](#) [CT6-10SL-4SC](#) [CT6-14S-2SC](#) [CT6E14SA7SC](#) [M83513/01-FC](#) [M83723/76W24619 L/C](#) [M85049/48-3-2F](#) [6STD09PCM99B70X](#) [6STD09SCM99B30X](#) [6STD09SCT99S40X](#) [6STD15PCT99S40X](#) [6STD15SCM99B30X](#) [6STD15SCT99S40X](#) [6STF09PCM05B70X](#) [7-135760-9](#) [MC11E-10-6SN](#) [747552-3](#) [MD1-21PS](#) [MDM-15SCBRM7-F222](#) [MDM96517-699](#) [MDM96521-744](#) [MDVB1-21SL1](#) [MIK0-1-7SH003](#) [MIKQ6-7SH076](#) [MIKQ7-7PH077](#) [MIKQ7-7PH11](#) [MIKQ7-7PH32](#) [MJSV-28SL61](#) [MKJ4A1F14-55S](#) [8-135760-3](#) [8STD09PCM99B30X](#) [PG-KV/PV-16-GROM-SEALING](#) [GDA15P](#)