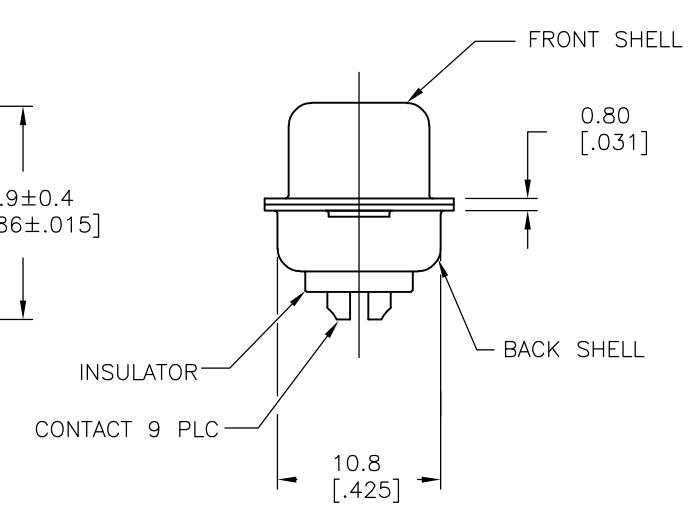
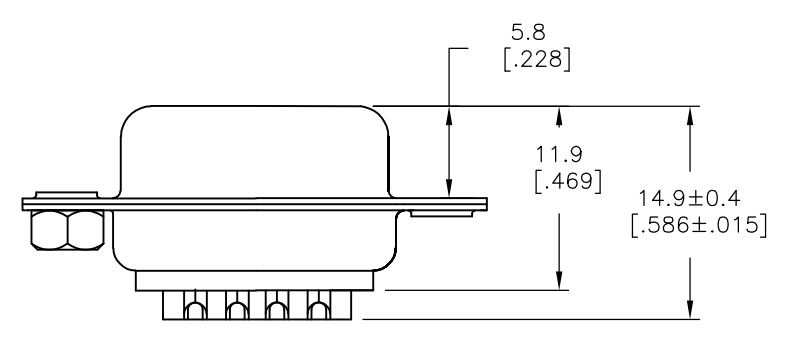
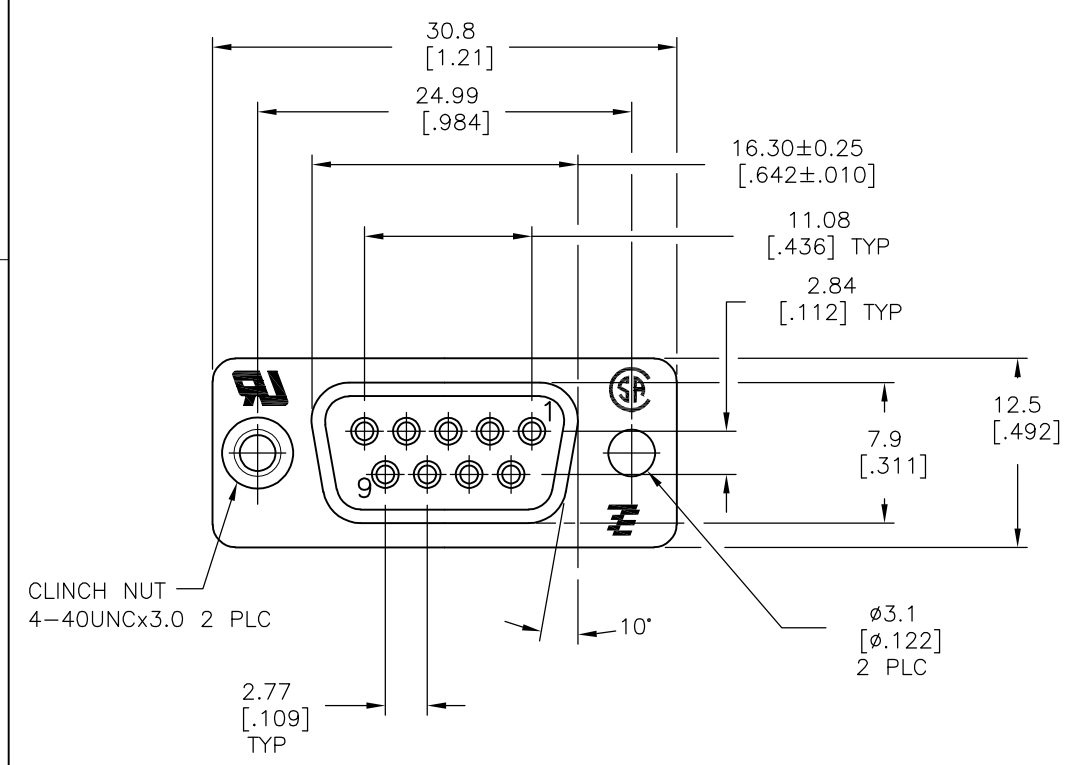


THIS DRAWING IS UNPUBLISHED. RELEASED FOR PUBLICATION  
 © COPYRIGHT - By - ALL RIGHTS RESERVED.

LOC	DIST	REVISIONS					
GP	00	P	LTR	DESCRIPTION	DATE	DWN	APVD
			AB	REVISED PER ECO-15-010090	16JUL2015	AP	DG



- 1 MATERIAL:  
 FRONT INSULATOR: PBT, 30 %GF, UL94V-0, BLACK COLOR  
 BACK INSULATOR: PBT, 30 %GF, UL94V-0, BLACK COLOR  
 CONTACT: BRASS  
 FRONT & BACK SHELL: STEEL  
 CLINCH NUTS: BRASS
- 2 FINISH:  
 CONTACT: GOLD PLATING 0.00002[.000008] MIN ON CONTACT AREA 0.00229[.000090]  
 MIN TIN-LEAD PLATING ALL OVER 0.00127[.000050] MIN NICKEL
- 3 CONTACT: GOLD PLATING 0.00076[.000030] MIN ON CONTACT AREA 0.00229[.000090]  
 MIN TIN-LEAD PLATING ALL OVER 0.00127[.000050] MIN NICKEL
- 4 SHELL: BRIGHT TIN 0.00241[.000095] MIN FULL SHELL
- 5 SHELL: BLUE ZINC: 0.00508[.000200] - 0.00762[.000300] OVER ENTIRE SHELL
- 6 CONTACT: GOLD PLATING 0.00002[.000008] MIN ON CONTACT AREA 0.00229[.000090]  
 MIN HOT DIPPED TIN-COPPER PLATING ALL OVER 0.00127[.000050] MIN NICKEL
- 7 CLINCH NUTS: NICKEL PLATING .00305-.00508[.000120-.000200]
- 8 SPECIFICATION  
 ELECTRICAL CHARACTERISTICS: CURRENT RATING: 3 AMPERES  
 DIELECTRIC WITHSTANDING VOLTAGE: AC 1000V r.m.s  
 INSULATION RESISTANCE: 5000 MEGOHMS MINIMUM AT DC 500V  
 CONTACT RESISTANCE: 10 MILLIOHMS MAXIMUM.
- 9 RECEPTACLE ASSEMBLY MATES WITH ANY 9 POSITION PLUG IN AMPLIMITE SERIES
- 10 SOLDER CUP WILL ACCOMODATE 20 AWG MAX WIRE.
- 11 ROHS 2002/95/EC/COMPLIANT
- 12 CONTACT: GOLD PLATING 0.00076[.000030] MIN ON CONTACT AREA 0.00229[.000090]  
 MIN HOT DIPPED TIN-COPPER ALL OVER 0.00127[.000050] MIN NICKEL PLATING

11	OBSOLETE	STANDARD	NO	6	5	5-747905-4
11		STANDARD	YES	6	4	5-747905-7
11		STANDARD	NO	12	4	5-747905-5
11		STANDARD	NO	6	4	5-747905-2
11	SUPERSEDED TO 5-747905-2	STANDARD	NO	6	4	747905-8
	SUPERSEDED TO 5-747905-7	STANDARD	YES	2	4	747905-7
	SUPERSEDED TO 5-747905-5	STANDARD	NO	3	4	747905-5
	SUPERSEDED TO 5-747905-4	STANDARD	NO	2	5	747905-4
	SUPERSEDED TO 5-747905-2	STANDARD	NO	2	4	747905-2

PACKAGING TYPE	7 CLINCH NUTS	CONTACTS	SHELLS	PART NO.
----------------	---------------	----------	--------	----------

THIS DRAWING IS A CONTROLLED DOCUMENT. DIMENSIONING AND TOLERANCING PER ASME Y14.5M-2009		DWN M.BINNER 03MAR03	TE Connectivity				
DIMENSIONS: mm		CHK R.BENDORF 05MAR03					
TOLERANCES UNLESS OTHERWISE SPECIFIED:		APVD R.BENDORF 05MAR03	NAME				
0 PLC ± - 1 PLC ± 0.25 2 PLC ± 0.13 3 PLC ± 0.05 4 PLC ± - ANGLES ± -		PRODUCT SPEC	RECEPTACLE ASSEMBLY, SOLDER CUP, SIZE 1, 9 POSITION, AMPLMITE				
MATERIAL 1		FINISH SEE TABLE	APPLICATION SPEC	SIZE	CAGE CODE	DRAWING NO	RESTRICTED TO
			WEIGHT -	A3	00779	C-747905	-
CUSTOMER DRAWING			SCALE 2:1	SHEET 1 OF 1	REV AB		

## X-ON Electronics

Largest Supplier of Electrical and Electronic Components

*Click to view similar products for [TE Connectivity](#) manufacturer:*

Other Similar products are found below :

[D38999/24FJ4AN](#) [570416-000](#) [CLTEQ-M81CE-SSRELAY-4-20V](#) [4-1195131-0](#) [650069-000](#) [SMD100-2](#) [358838-000](#) [CB-1022B-78](#)  
[RM707012](#) [RP410012](#) [MMS42](#) [1-640426-8](#) [2EDL4CM](#) [DTS20W19-11PD-3028-LC](#) [RM202615](#) [NC6-P104-06](#) [MSPS103B](#) [DTS26F21-41HE-LC](#) [DTS26F21-41AE](#) [DTS26F21-41PE-LC](#) [DTS26F21-11SE-3028-LC](#) [30DCB6](#) [1932144-1](#) [293545-4](#) [LVR125S](#) [MS27466T25F4PB](#)  
[CKB-38-78010](#) [TR04AI-TINELLOCKRING](#) [1206SFF150F/63-2](#) [D38999/20JB35HA](#) [TE1500A2R2J](#) [D38999/20WC8BB](#) [DTS24F19-11SC-3028-LC](#) [D38999/24WG11HA](#) [D38999/24WG11HN](#) [MS27467T21F11H](#) [DJT16E21-11HA](#) [MS27467T21F35J](#) [MS27467T21F11J](#)  
[MS27467T21F16H-LC](#) [MS27467T21F35H](#) [MS27467T21F41H-LC](#) [1206SFH150F/24-2](#) [RP330024](#) [DJT16E21-11PA-LC](#) [DJT16E21-11HA-LC](#) [DJT16E21-11AA](#) [MS27467T21B11JA](#) [DJT16E21-11JA](#) [MS27467T21B11JA-LC](#)