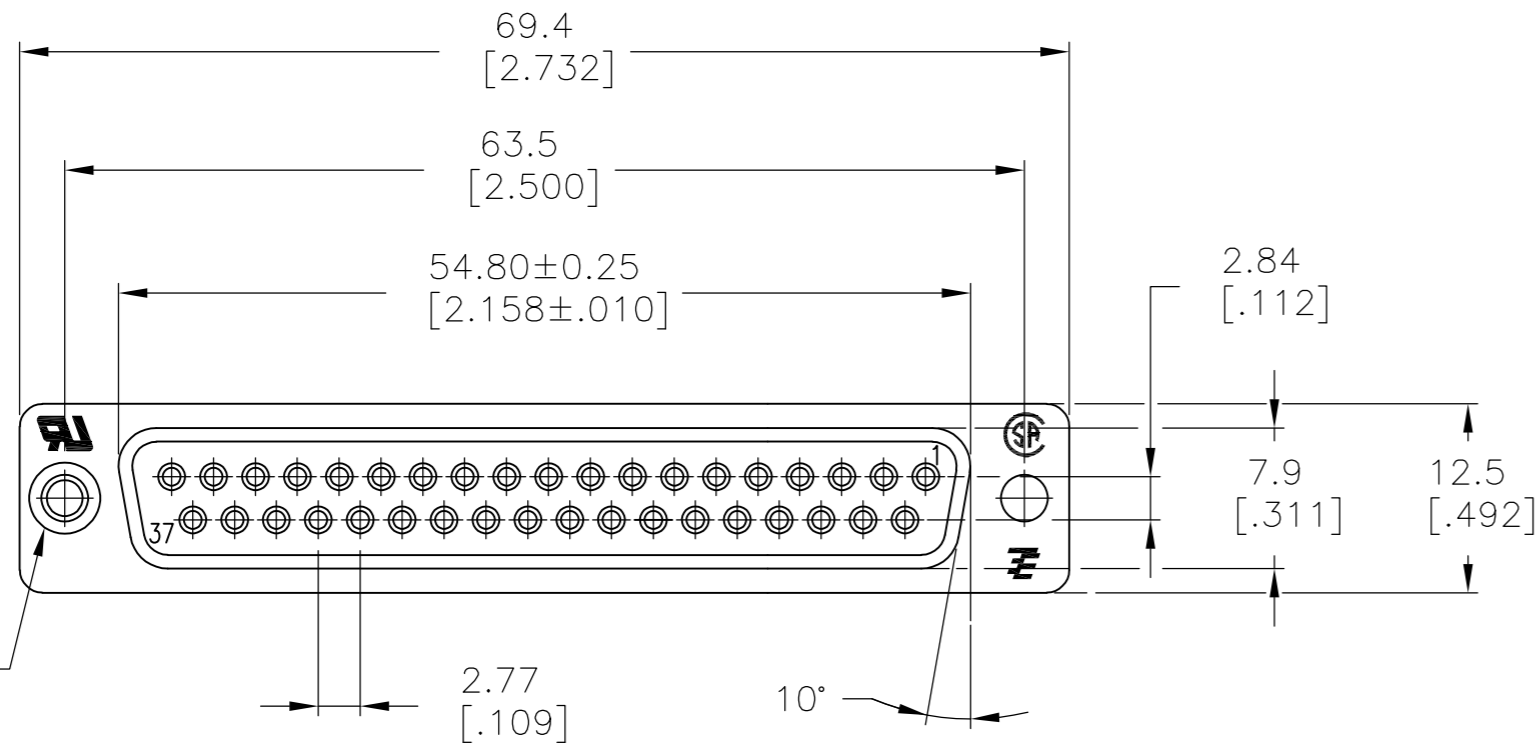
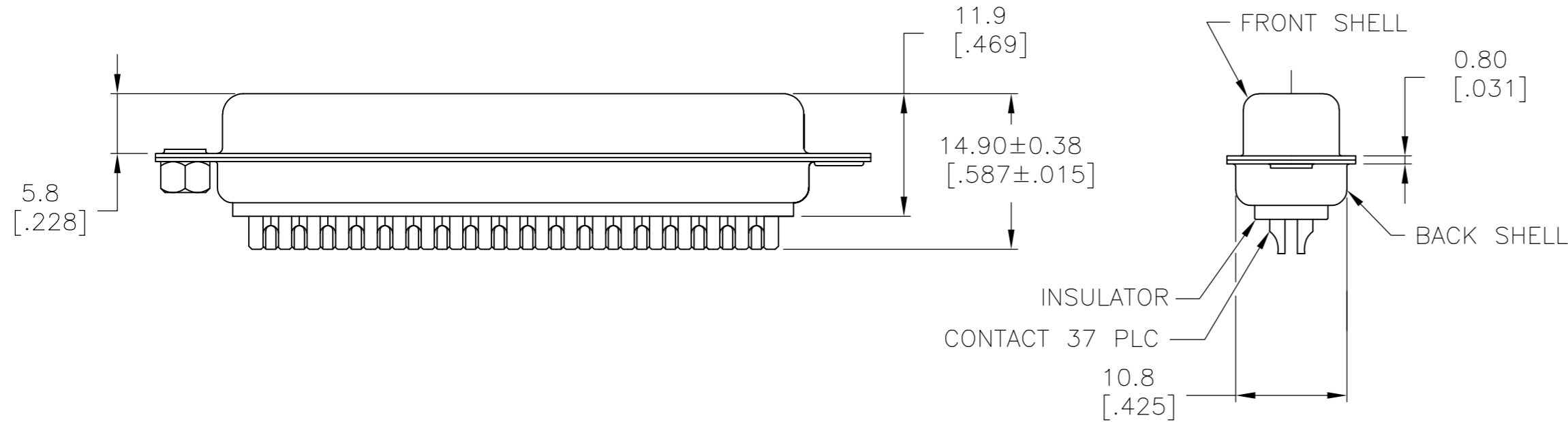


THIS DRAWING IS UNPUBLISHED. RELEASED FOR PUBLICATION  
 © COPYRIGHT - By - ALL RIGHTS RESERVED.

LOC		DIST		REVISIONS			
P	LTR	DESCRIPTION		DATE	DWN	APVD	
GP	00	V		REVISED PER ECO-15-010090	16JUL2015	AP	DG



CLINCH NUT  
 4-40UNCx3.0 2 PLC



- 1 MATERIAL:  
 FRONT INSULATOR: PBT, 30 %GF, UL94V-0, BLACK COLOR  
 BACK INSULATOR: PBT, 30 %GF, UL94V-0, BLACK COLOR  
 CONTACT: BRASS  
 FRONT SHELL: STEEL  
 BACK SHELL: STEEL  
 CLINCH NUTS: BRASS
- 2 FINISH:  
 CONTACT: GOLD PLATING 0.00002[.000008] MIN ON CONTACT AREA 0.00229 [.000090] MIN TIN-LEAD PLATING ALL OVER 0.00127[.000050] MIN NICKEL
- 3 CONTACT: GOLD PLATING 0.00076[.000030] MIN ON CONTACT AREA 0.00229 [.000090] MIN TIN-LEAD PLATING ALL OVER 0.00127[.000050] MIN NICKEL
- 4 SHELL: BRIGHT TIN 0.00241[.000095] MIN FULL SHELL
- 5 SHELL: BLUE ZINC: 0.00508[.000200] - 0.00762[.000300] OVER ENTIRE SHELL
- 6 CONTACT: GOLD PLATING 0.00002[.000008] MIN ON CONTACT AREA 0.00229 [.000090] MIN HOT DIPPED TIN-COPPER PLATING ALL OVER 0.00127[.000050] MIN NICKEL
- 7 CLINCH NUTS: NICKEL PLATING .00305-.00508[.000120-.000200]
- 8 SPECIFICATION  
 ELECTRICAL CHARACTERISTICS: CURRENT RATING: 3 AMPERES  
 DIELECTRIC WITHSTANDING VOLTAGE: AC 1000V r.m.s  
 INSULATION RESISTANCE: 5000 MEGOHMS MINIMUM AT DC 500V  
 CONTACT RESISTANCE: 10 MILLIOHMS MAXIMUM.
- 9 ROHS 2002/95/EC COMPLIANT
- 10 RECEPTACLE ASSEMBLY MATES WITH ANY 37 POSITION PLUG IN AMPLIMITE SERIES
- 11 SOLDER CUP WILL ACCOMMODATE 20 MAX AWG WIRE.
- 12 CONTACT: GOLD PLATING 0.00076[.000030] MIN ON CONTACT AREA 0.00229[.000090] MIN HOT DIPPED TIN-COPPER ALL OVER 0.00127[.000050] MIN NICKEL PLATING

REVISION	DESCRIPTION	DATE	BY	CHKD	APVD
1	STANDARD	NO	6	5	5-747917-4
2	STANDARD	YES	6	4	5-747917-6
3	STANDARD	NO	12	4	5-747917-5
4	STANDARD	NO	6	4	5-747917-2
5	STANDARD	NO	6	4	747917-7
6	STANDARD	YES	2	4	747917-6
7	STANDARD	NO	3	4	747917-5
8	STANDARD	NO	2	5	747917-4
9	STANDARD	NO	2	4	747917-2
	PACKAGING TYPE	CLINCH NUTS	CONTACTS	SHELLS	PART NO.

THIS DRAWING IS A CONTROLLED DOCUMENT. DIMENSIONING AND TOLERANCING PER ASME Y14.5M-2009		DWN M. BINNER 04MAR03	TE Connectivity		
DIMENSIONS: mm [INCHES]		CHK R. BENDORF 05MAR03	RECEPTACLE ASSEMBLY, SOLDER CUP, SIZE 4, 37 POSN, HD-20, AMPLIMITE		
TOLERANCES UNLESS OTHERWISE SPECIFIED:		APVD R. BENDORF 05MAR03	NAME	SIZE	CAGE CODE
0 PLC ± -	1 PLC ± 0.25	PRODUCT SPEC	RECEPTACLE ASSEMBLY, SOLDER CUP, SIZE 4, 37 POSN, HD-20, AMPLIMITE	A2	00779
2 PLC ± 0.13	3 PLC ± 0.05	APPLICATION SPEC	DRAWING NO	SCALE	SHEET
4 PLC ± -	ANGLES ± 4°	WEIGHT	C=747917	2:1	1 of 1
MATERIAL	FINISH	CUSTOMER DRAWING	RESTRICTED TO	SCALE	REV
1	SEE TABLE		-	2:1	1 of 1

## X-ON Electronics

Largest Supplier of Electrical and Electronic Components

*Click to view similar products for [D-Sub Standard Connectors](#) category:*

*Click to view products by [TE Connectivity](#) manufacturer:*

Other Similar products are found below :

[LV242999-142T12](#) [015-0339-000](#) [015-0341-000](#) [015-0349-000](#) [015-0350-000](#) [015-8544-011](#) [015-8755-001](#) [017041-0005](#) [020419-0104](#)  
[020745-0008](#) [609-25P](#) [609-9P](#) [M24308315F](#) [CT0-24-10SC](#) [CT0F16S-1PS](#) [CT0F16S-1SC](#) [CT0M16S-4SC](#) [CT0U22-14PSA206F127](#)  
[CT1E14S-2SC](#) [CT1F22-14PC-G9](#) [CT1FC22-2PC](#) [CT1T14S-2SC](#) [CT1TA14SA7PC](#) [CT2-10SL-3SC](#) [CT2-14S-2PCA34](#) [CT2-16S-17PS](#) [CT2-](#)  
[18-11PCAU](#) [CT2-22-19SC](#) [CT2-22-19SS-A206](#) [CT2-22-22PSA34](#) [CT2-24-28PSF127A206](#) [CT2-28-12SC](#) [CT2-28-12SCA232](#) [CT2-28-](#)  
[12SSA232](#) [CT6-10SL-3SC](#) [CT6-10SL-4SC](#) [CT6-14S-2SC](#) [CT6-16-12SC](#) [CT6-16S-1SSA232](#) [CT6-18-10SSF127A206](#) [CT6-20-15SSA232](#)  
[CT6-24-5PC](#) [CT6A16S-5PC](#) [CT6E14S-5SC](#) [CT6E14SA7SC](#) [CT6E22-14PC](#) [CT6E22-14PS](#) [CT6E22-19PS](#) [CT6E22-22PS](#) [CT6E24-10SC](#)