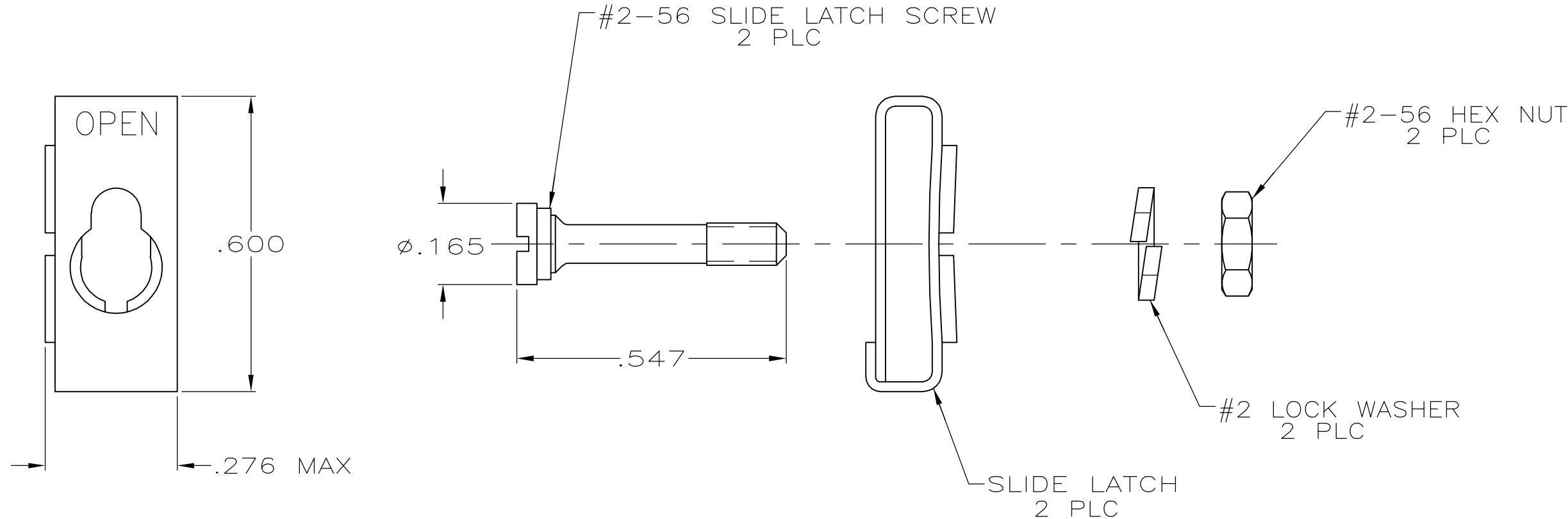


THIS DRAWING IS UNPUBLISHED. RELEASED FOR PUBLICATION
 © COPYRIGHT BY TYCO ELECTRONICS CORPORATION. ALL RIGHTS RESERVED.

LOC	DIST	REVISIONS					
GP	00	P	LTR	DESCRIPTION	DATE	DWN	APVD
			0	RELEASED PER EC 0S13-0207-05	12JUL05	SW	JG



1. PARTS PACKAGED UNASSEMBLED.
2. PARTS PACKAGED AS A UNIT KIT.
3. ZINC PLATED .000200-.000400 THICK, CLEAR CHROMATE COATING.
4. THIS KIT CAN BE USED WITH TWO-PIECE STRAIGHT/90° EXIT CABLE CLAMPS, RFI/EMI CABLE CLAMPS, AND UNIVERSAL CABLE CLAMPS.

5748078-1
 PART NO

THIS DRAWING IS A CONTROLLED DOCUMENT.		DWN S.WAITMAN 12JUL05	Tyco Electronics Corporation Harrisburg, Pa 17105-3608	
DIMENSIONS: INCHES		CHK C.ROHDE 12JUL05		
TOLERANCES UNLESS OTHERWISE SPECIFIED:		APVD M.WALMSLEY 12JUL05	NAME	
0 PLC ± - 1 PLC ± - 2 PLC ± - 3 PLC ± .005 4 PLC ± - ANGLES ± -		PRODUCT SPEC	KIT, TWO-PIECE SLIDE LATCH, SIZES 1 THRU 4, AMPLIMITE	
MATERIAL		APPLICATION SPEC	SIZE	RESTRICTED TO
SLIDE LATCH: STAINLESS STEEL		WEIGHT -	A3	-
HARDWARE: 3		CAGE CODE 00779		DRAWING NO C-5748078
CUSTOMER DRAWING			SCALE 4:1	SHEET 1 OF 1
			REV 0	

X-ON Electronics

Largest Supplier of Electrical and Electronic Components

Click to view similar products for [D-Sub Tools & Hardware](#) category:

Click to view products by [TE Connectivity](#) manufacturer:

Other Similar products are found below :

[000-01-09-132](#) [000-01-21-132](#) [000-01-31-162](#) [572019-00105-70](#) [000-01-37-162](#) [621-250-113-115](#) [D110550-2](#) [D20418-137](#) [780-518-50SG6-WS](#) [86552009](#) [86553115TLF](#) [86553117TLF](#) [1230032-1](#) [1-5021101-2](#) [1589283-4](#) [160-000-005R031](#) [16-000230](#) [160-025-004R031](#) [160-000-137R000](#) [160-020-209R000](#) [164C03939A](#) [177-505-A-2-2](#) [1-966830-8](#) [21018-6](#) [21028-2](#) [2-1393560-9](#) [JS-1000](#) [L17D204182M3E](#) [L17D53018](#) [300X10779X](#) [160X10189X](#) [160X10419X](#) [160X10959X](#) [162-000-050R000](#) [21018-5](#) [212561-3](#) [248C21550X](#) [CF15P](#) [QLOCKPOST-2](#) [D110277](#) [500-008NF1K-01](#) [500-008NF3R3KS-01](#) [500-017M09FN](#) [500-017M15MHN](#) [500-024M1](#) [500-068M3](#) [5-1393561-5](#) [C115373-0001](#) [C115373-0002](#) [3342-4-KIT](#)