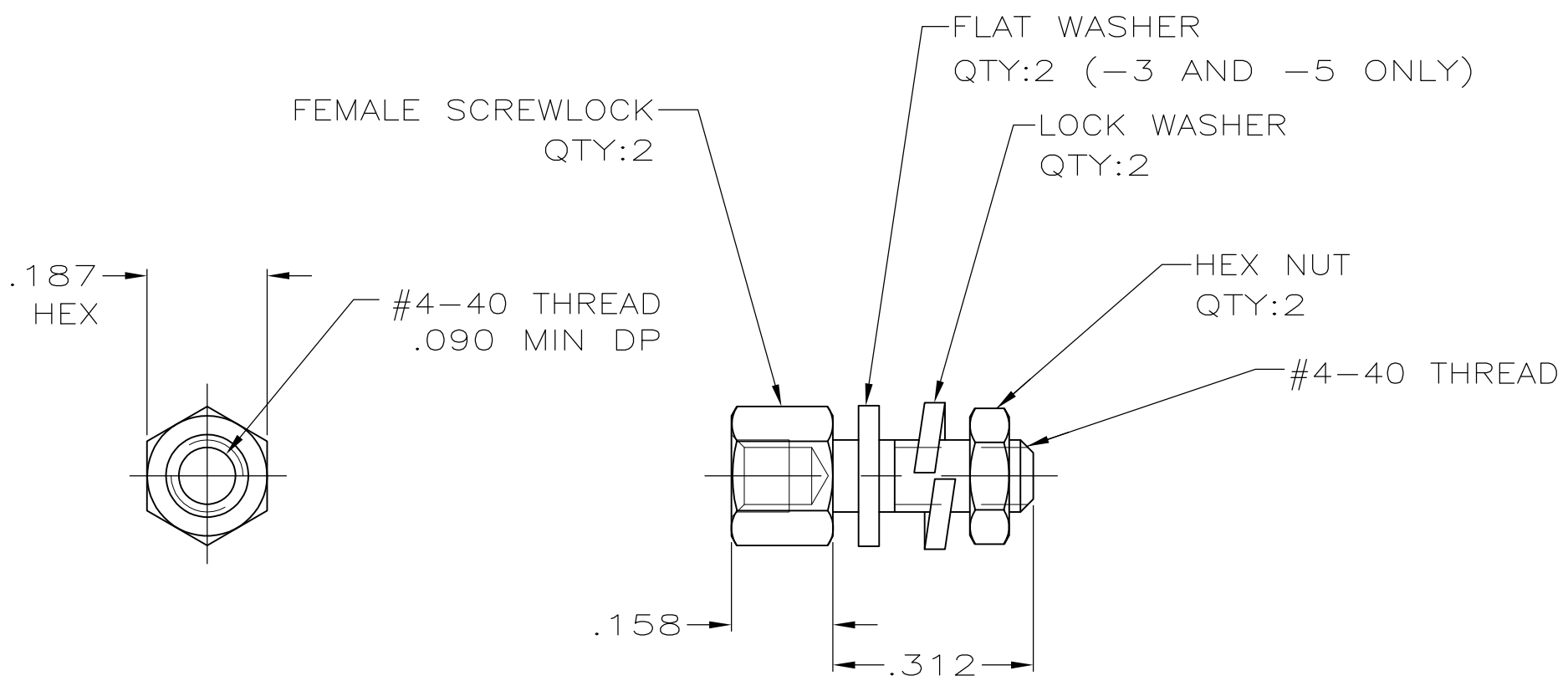


THIS DRAWING IS UNPUBLISHED. RELEASED FOR PUBLICATION
 © COPYRIGHT - By - ALL RIGHTS RESERVED.

LOC	DIST	REVISIONS					
GP	00	P	LTR	DESCRIPTION	DATE	DWN	APVD
		R		REVISED PER ECO-15-002171	04MAR2015	AP	PR



- PARTS PACKAGED UNASSEMBLED.
 - PARTS PACKAGED AS A UNIT KIT.
- $\triangle 3$ ZINC PLATING .000200-.000400 THICK, YELLOW CHROMATE COATING.
 $\triangle 4$ ZINC PLATING .000200-.000400 THICK, CLEAR CHROMATE COATING.

$\triangle 4$	W/ FLAT WASHER	5748271-5
	W/O FLAT WASHER	5748271-4
$\triangle 3$	W/ FLAT WASHER	5748271-3
	W/O FLAT WASHER	5748271-1
FINISH	REMARKS	PART NUMBER

THIS DRAWING IS A CONTROLLED DOCUMENT.		DWN	S.WAITMAN	12JUL05	STE TE Connectivity													
DIMENSIONS: INCHES		CHK	C.ROHDE	12JUL05														
TOLERANCES UNLESS OTHERWISE SPECIFIED:		APVD	M.WALMSLEY	12JUL05	NAME													
<table border="0"> <tr><td>0 PLC</td><td>± -</td></tr> <tr><td>1 PLC</td><td>± -</td></tr> <tr><td>2 PLC</td><td>± -</td></tr> <tr><td>3 PLC</td><td>± .005</td></tr> <tr><td>4 PLC</td><td>± -</td></tr> <tr><td>ANGLES</td><td>± -</td></tr> </table>		0 PLC	± -	1 PLC	± -	2 PLC	± -	3 PLC	± .005	4 PLC	± -	ANGLES	± -	PRODUCT SPEC		FEMALE SCREWLOCK KIT, SHORT HEAD, .090 PANEL, AMPLIMITE		
0 PLC	± -																	
1 PLC	± -																	
2 PLC	± -																	
3 PLC	± .005																	
4 PLC	± -																	
ANGLES	± -																	
MATERIAL: STEEL		APPLICATION SPEC		RESTRICTED TO														
FINISH: $\triangle 3$		WEIGHT: -		SIZE	CAGE CODE	DRAWING NO	RESTRICTED TO											
CUSTOMER DRAWING				A3	00779	C-5748271	-											
				SCALE	4:1	SHEET	1 OF 1											
				REV		R												

X-ON Electronics

Largest Supplier of Electrical and Electronic Components

Click to view similar products for [D-Sub Tools & Hardware](#) category:

Click to view products by [TE Connectivity](#) manufacturer:

Other Similar products are found below :

[000-01-09-132](#) [000-01-21-132](#) [000-01-31-162](#) [572019-00105-70](#) [000-01-37-162](#) [621-250-113-115](#) [D110550-2](#) [D20418-137](#) [780-518-50SG6-WS](#) [86552009](#) [86553115TLF](#) [86553117TLF](#) [1230032-1](#) [1-5021101-2](#) [15-000050](#) [1589283-4](#) [160-000-005R031](#) [16-000230](#) [160-025-004R031](#) [160-000-137R000](#) [160-020-209R000](#) [160X10909X](#) [164C03939A](#) [177-505-A-2-2](#) [1-966830-8](#) [21018-6](#) [2-1393560-9](#) [JS-1000](#) [L17D204182M3E](#) [L17D53018](#) [300X10779X](#) [160X10189X](#) [160X10419X](#) [162-000-050R000](#) [21018-5](#) [212561-3](#) [248C21550X](#) [CF15P](#) [QLOCKPOST-2](#) [D110277](#) [500-008NF1K-01](#) [500-008NF3R3KS-01](#) [500-017M09FN](#) [500-017M15MHN](#) [500-024M1](#) [500-068M3](#) [5-1393561-5](#) [C115373-0001](#) [C115373-0002](#) [3342-4-KIT](#)