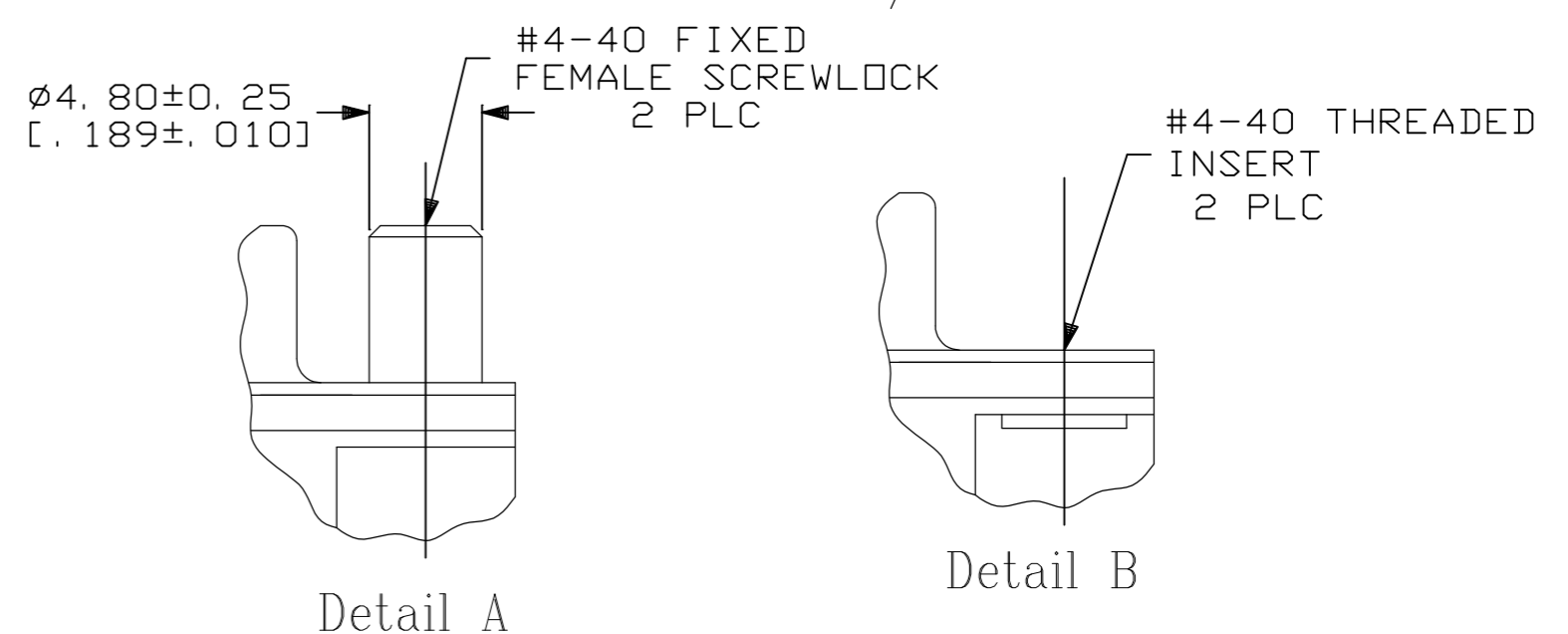
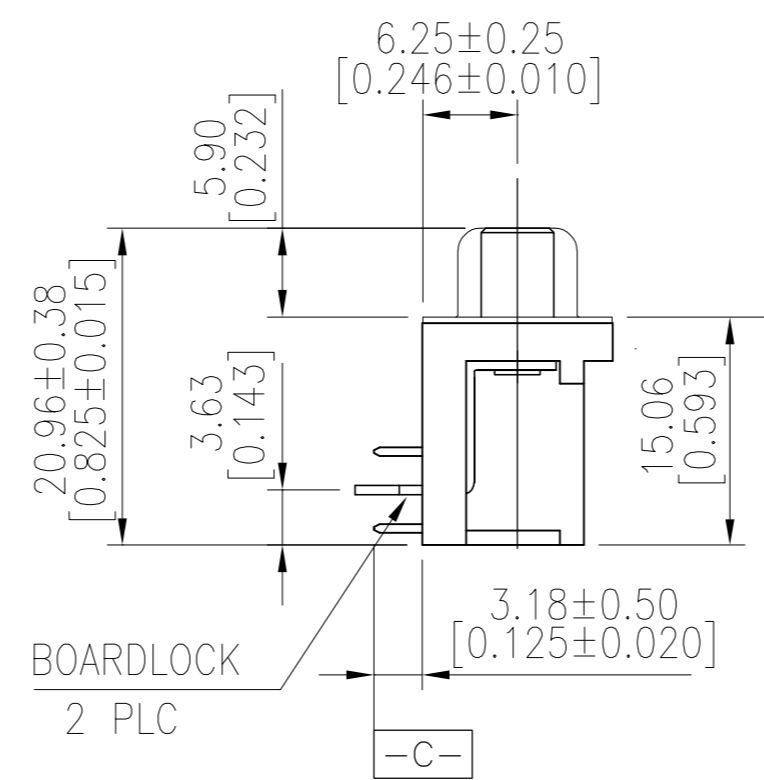
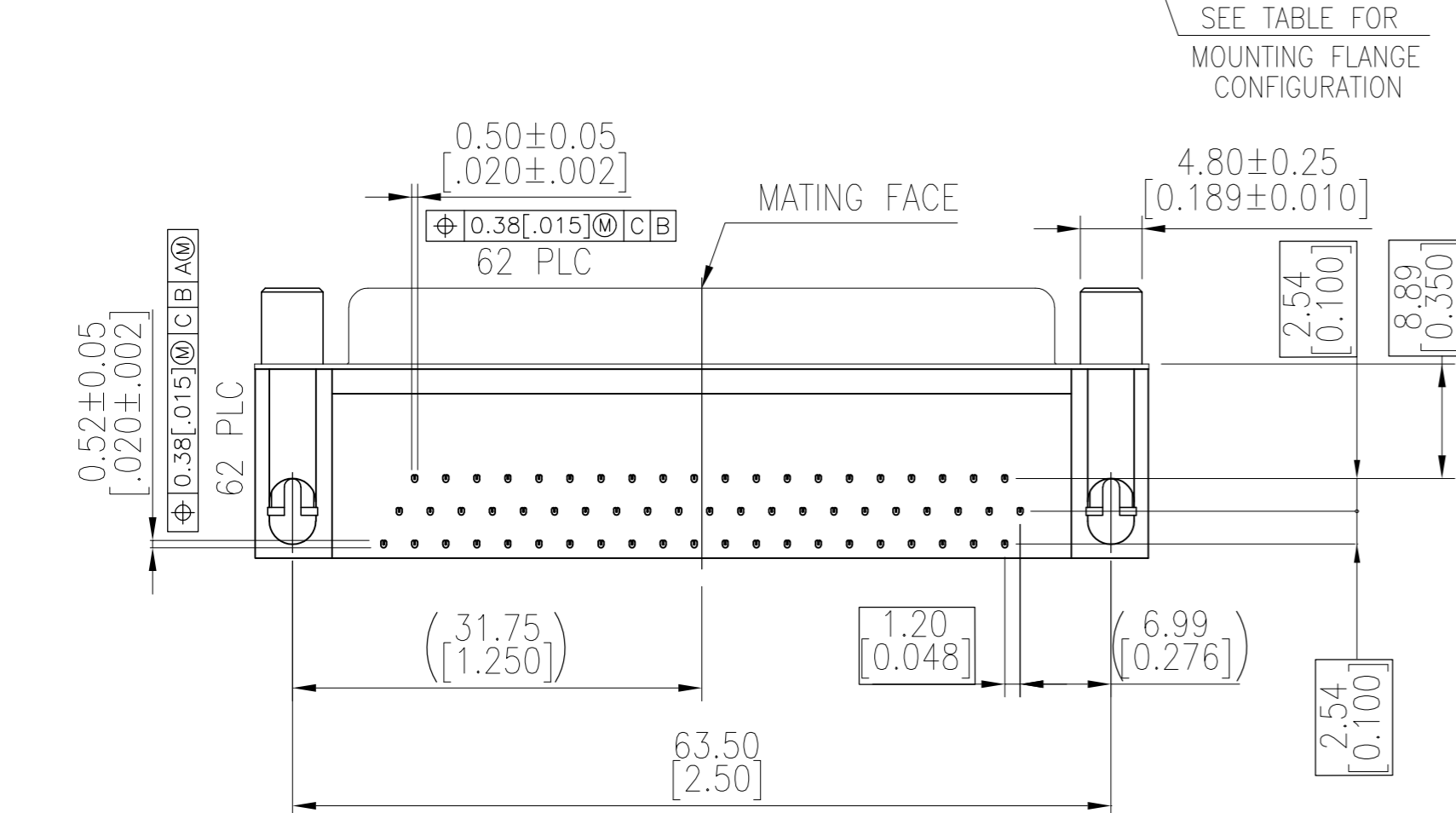
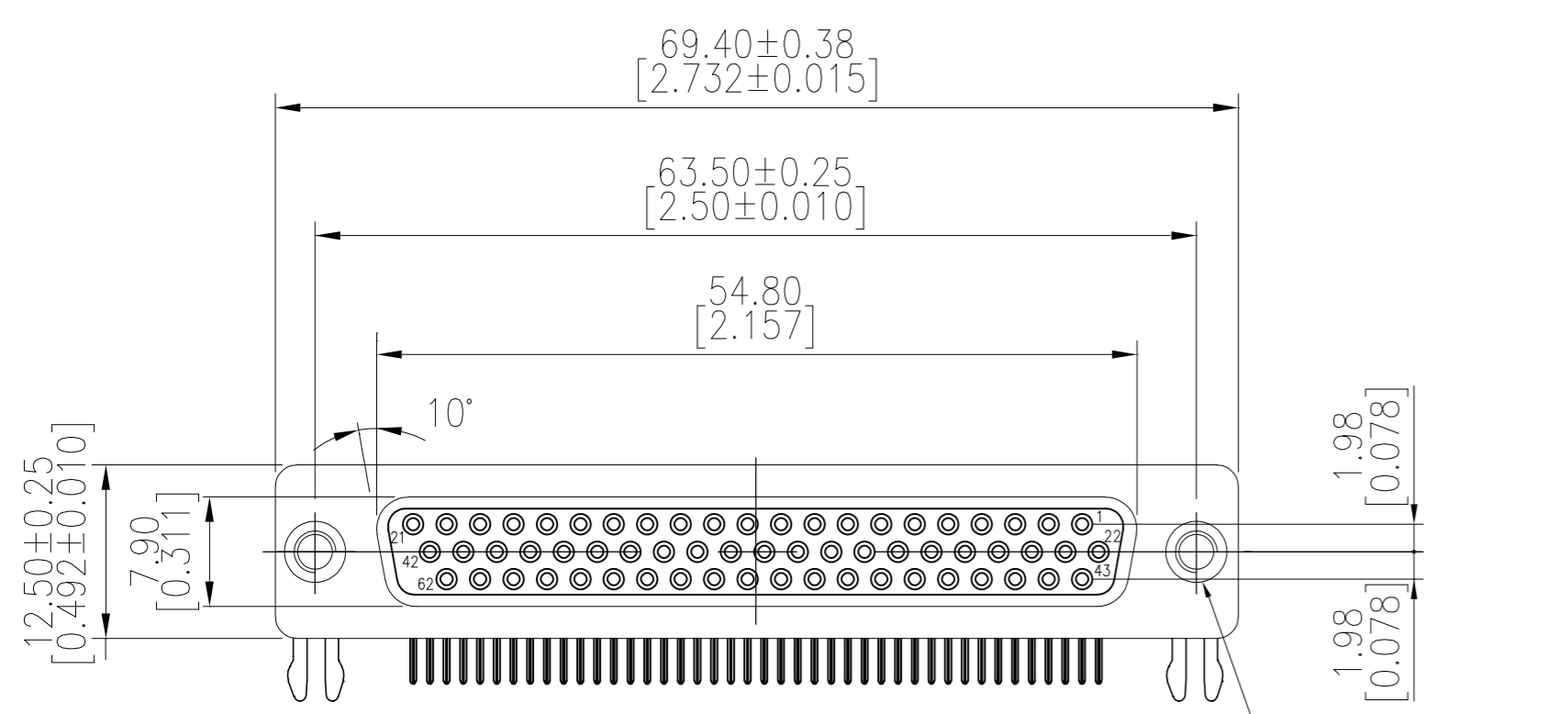
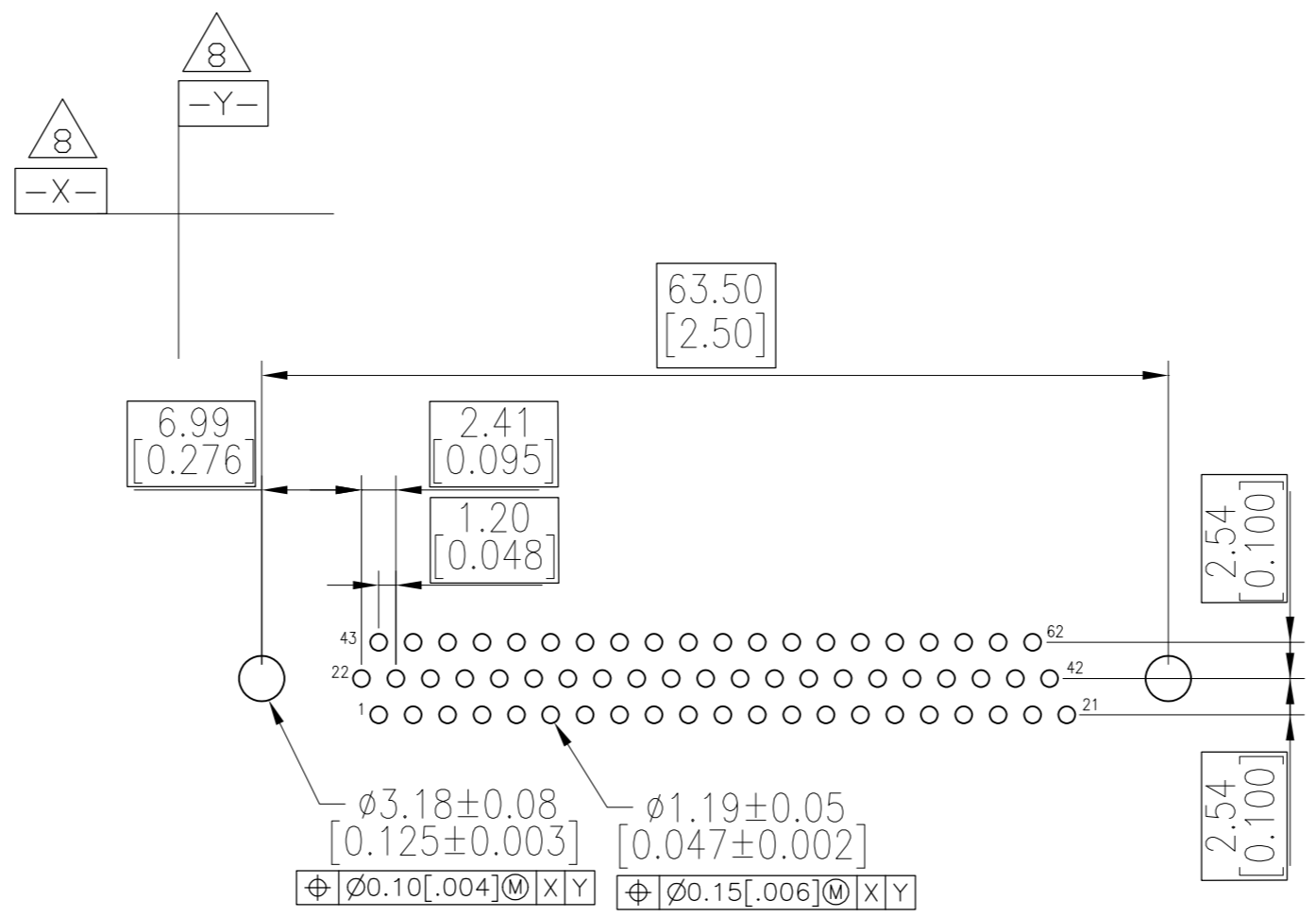
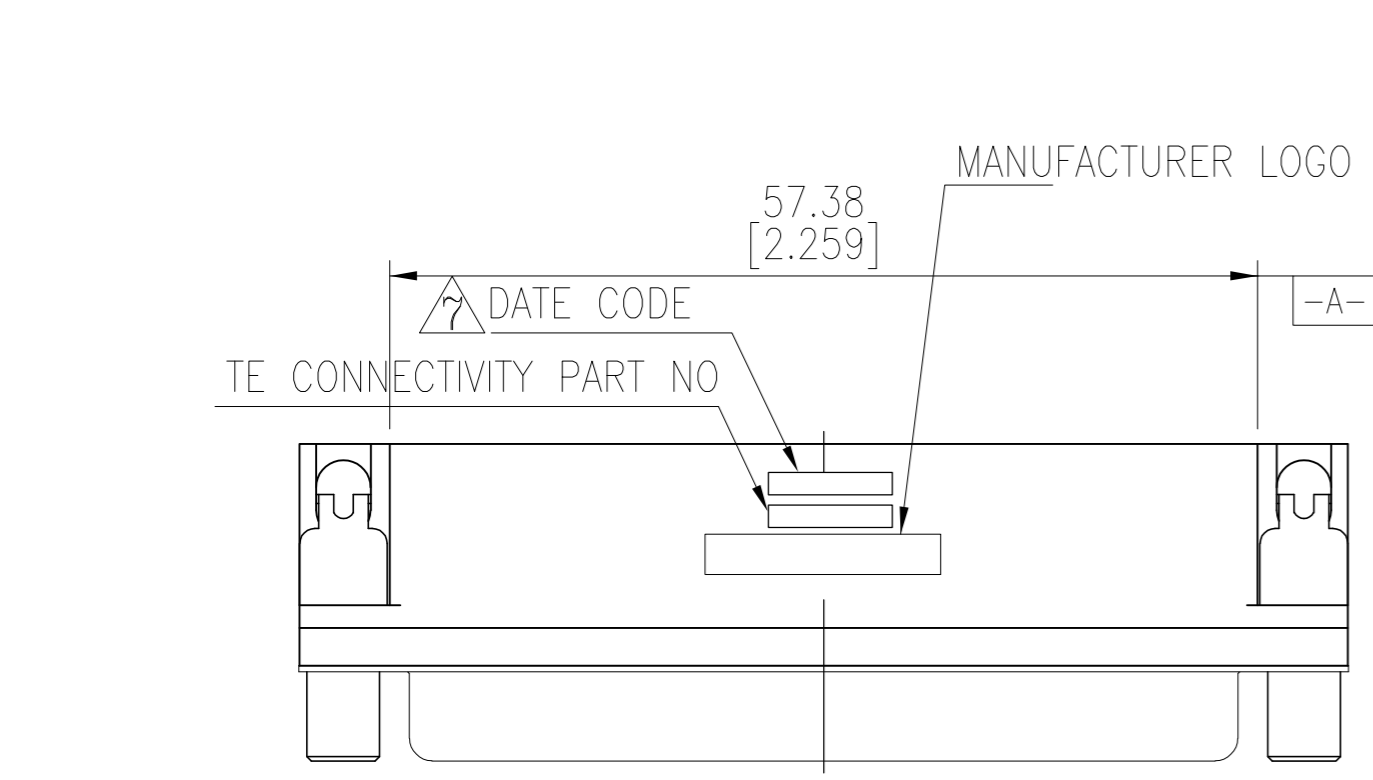


THIS DRAWING IS UNPUBLISHED. RELEASED FOR PUBLICATION
 © COPYRIGHT - By - ALL RIGHTS RESERVED.

LOC		DIST		REVISIONS			
P	LTR	DESCRIPTION	DATE	DWN	APVD		
GP	00	C	REVISED PER ECO-17-013750	16FEB2018	AP	DG	



- HOUSING MATERIAL: PBT, GLASS FILLED, BLACK, UL 94V-0 RATED.
- CONTACT MATERIAL: PHOSPHOR BRONZE.
- CONTACT FINISH: GOLD PLATE IN MATING AREA (SEE TABLE), 120μ" MIN TIN PLATE ON SOLDER TAIL, BOTH OVER 50μ" MIN NICKEL UNDERPLATE.
- SHELL: STEEL, NICKEL PLATE.
- BOARDLOCK: BRASS, 100μ" MIN TIN PLATE.
- FEMALE SCREWLOCKS/ THREADED INSERTS: BRASS, NICKEL PLATE.

FOUR DIGIT DATE CODE IN THIS FORMAT.

Year 01 45 Manufacturing Week

DATUMS \triangle & \square TO BE ESTABLISHED BY CUSTOMER.

OBSOLETE PARTS: OBSOLETE CIS STREAMLINING PER D.RENAUD/D.SINISI

OBSOLETE	Tray	Detail A	Gold flash	2-5748394-6
OBSOLETE	Tray	Detail A	15μ" MIN	2-5748394-5
OBSOLETE	Tray	Detail B	Gold flash	2-5748394-4
OBSOLETE	Tray	Detail B	15μ" MIN	2-5748394-3
OBSOLETE	Tray	Detail A	30μ" MIN	5748394-6
SUPERSEDED BY 2311771-1	Tray	Detail B	30μ" MIN	5748394-5
Packaging	Mounting Flange Configuration	Contact Mating Area Finish	Part NO.	

DIMENSIONS:		TOLERANCES UNLESS OTHERWISE SPECIFIED:		APVD		NAME	
mm	[INCHES]	0 PLC	± -	B. MCMMASTER	21SEP05	TE Connectivity	
		1 PLC	± 0.30	S. BOLASH	21SEP05	AMPLIMITE HD-22	
		2 PLC	± 0.20	M. WALMSLEY	21SEP05	62 POS RECEPTACLE, RIGHT ANGLE	
		3 PLC	± 0.10	PRODUCT SPEC		SIZE	CAGE CODE
		4 PLC	± -	APPLICATION SPEC		A2	00779
		ANGLES	± 2°	WEIGHT		SCALE	SHEET
		FINISH	-	CUSTOMER DRAWING		2:1	1 of 1

5748394-6, 2--5, & 2--6, SHOWN

X-ON Electronics

Largest Supplier of Electrical and Electronic Components

Click to view similar products for [D-Sub High Density Connectors](#) category:

Click to view products by [TE Connectivity](#) manufacturer:

Other Similar products are found below :

[97-3250-11](#) [163A16809X](#) [163A17089X](#) [164A17199X](#) [164C18629X](#) [242A25680X](#) [L717HDB44POL2R210](#) [L717HDEH15POL2](#)
[L777HDE15P](#) [L77HDE15SC309](#) [163A16759X](#) [163A16839X](#) [163A16989X](#) [163A17079X](#) [164A17329X](#) [164A18219X](#) [241A16440X](#)
[241A16550X](#) [241A16680X](#) [241A20810X](#) [241A25740X](#) [CT25-44P](#) [MDBE15PE766](#) [L177HDE15SOL2RM23](#) [L177HRC62S](#)
[L177HRC62SVFM](#) [L177HRCG62S](#) [L717HDEG15POL2RM5](#) [L77HDA26SVF](#) [L77HDE15SD1CO](#) [L77HDEH15SOL2RM832](#) [443895-3](#)
[106698-1](#) [280-012K2C](#) [L177HRB44S](#) [164A17039X](#) [09562004701510](#) [164A17969X](#) [L777HRC62P](#) [241A17960X](#) [164A18269X](#)
[L777HDEG15P](#) [280-018P3S25MEGN](#) [206504-2](#) [40-9515HDSP](#) [2057140-1](#) [C115370-6002](#) [DFMA104SNMBFR172FR022](#) [HDC9F200E2S](#)
[L717HDAG26POL2RM8](#)