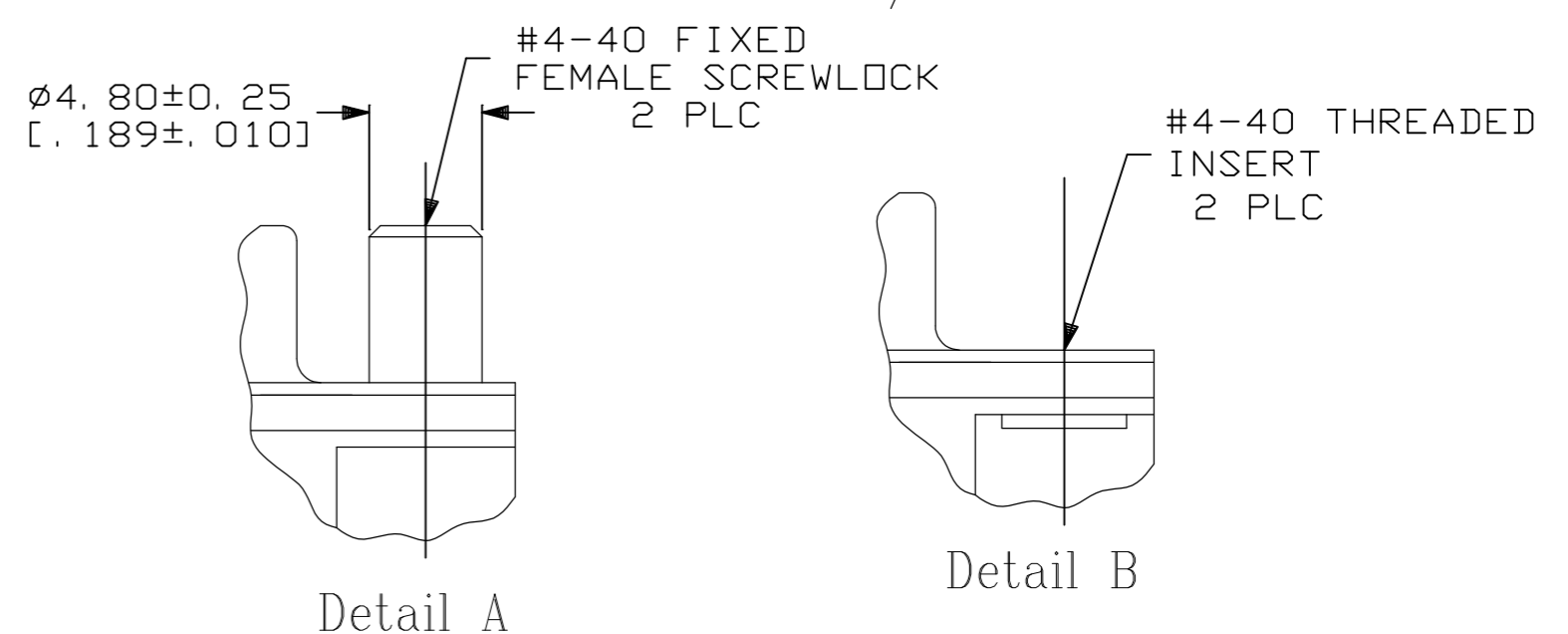
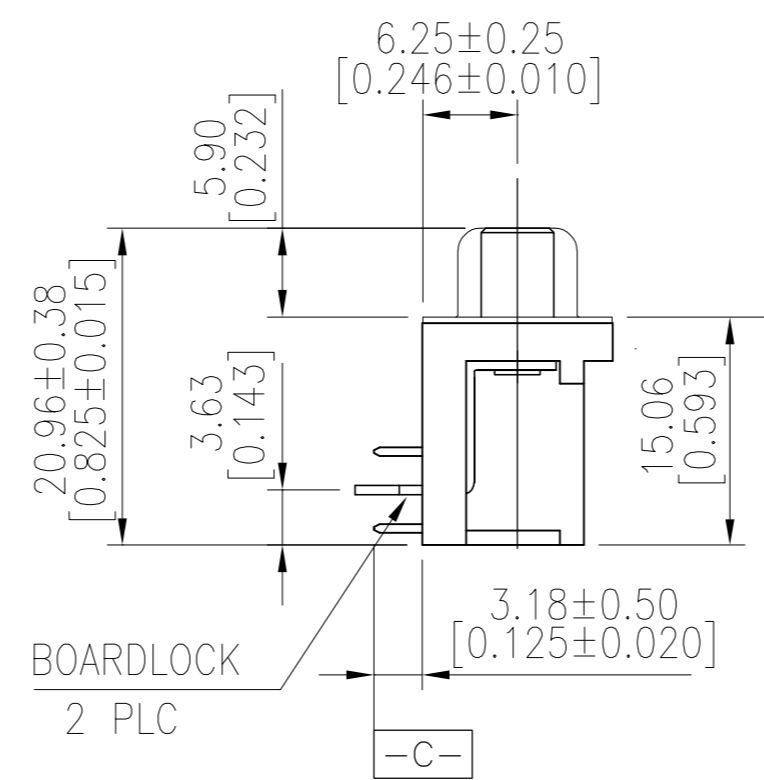
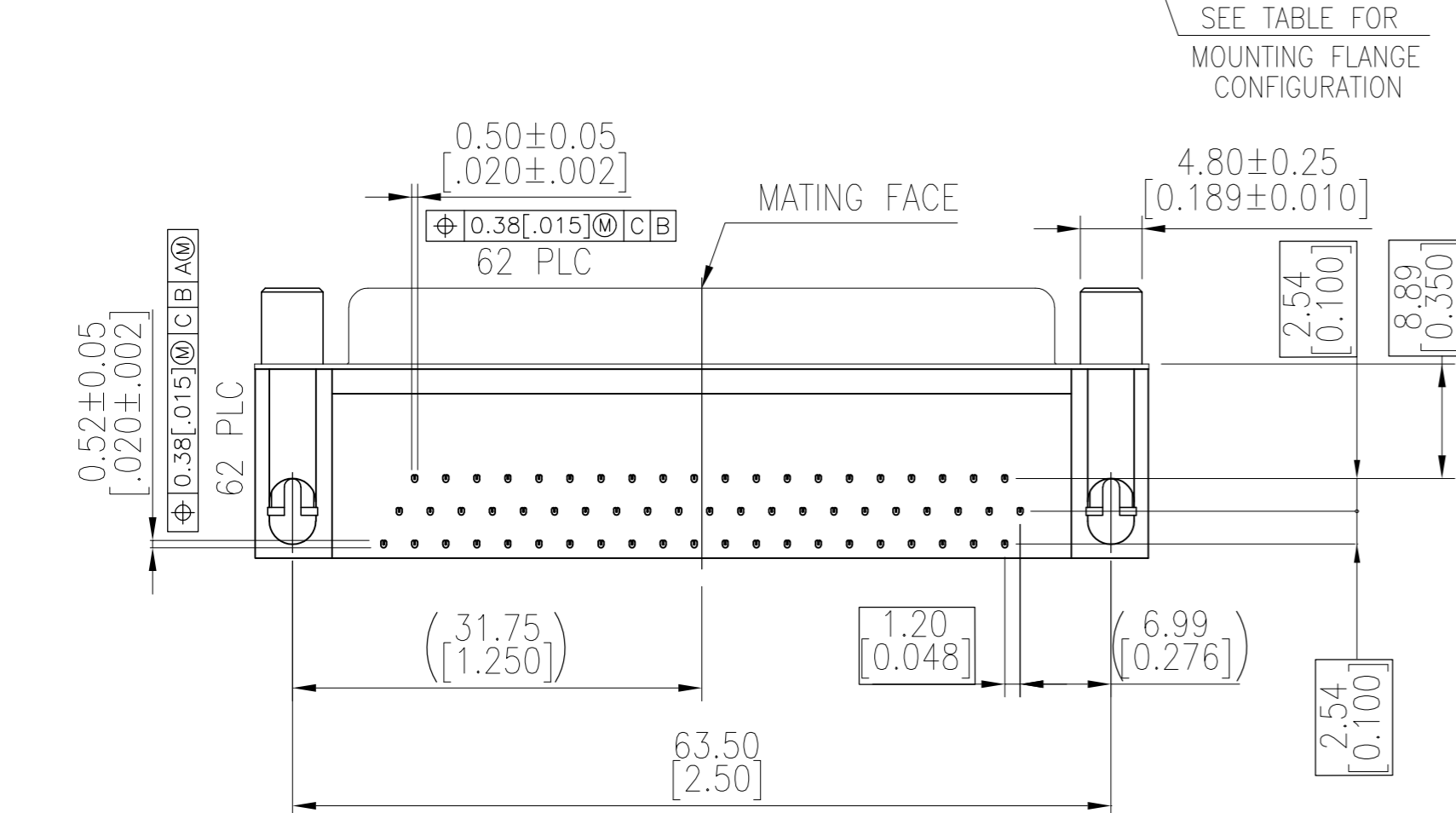
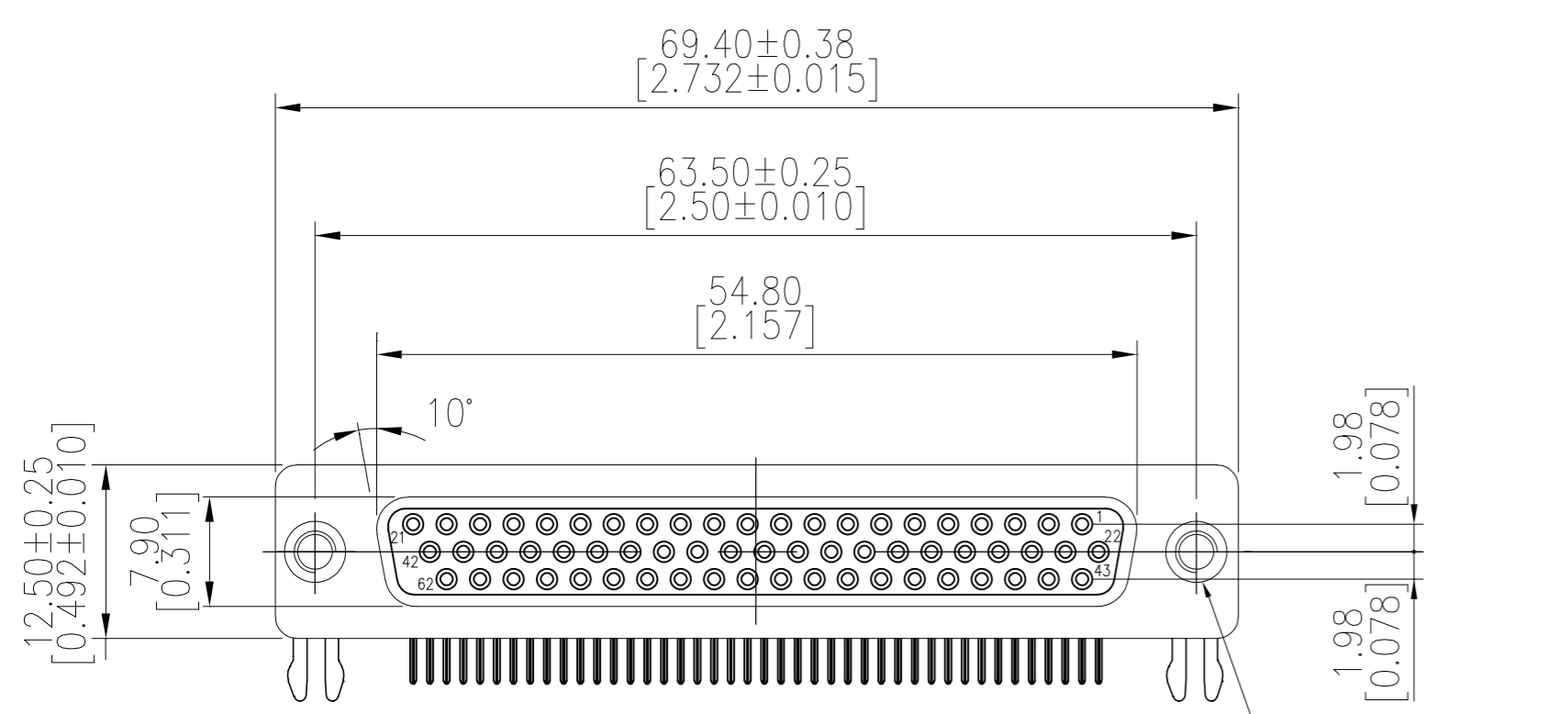
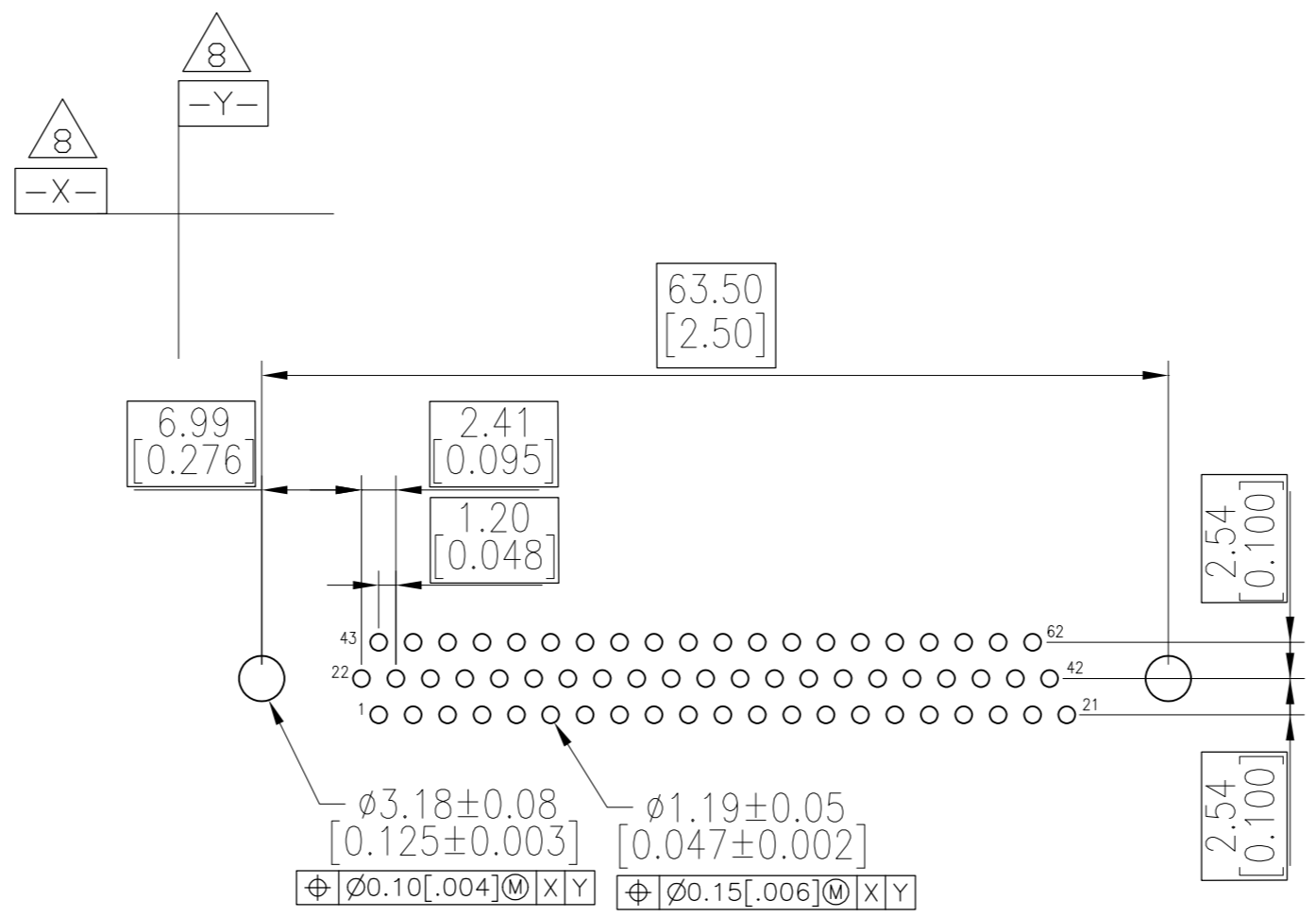
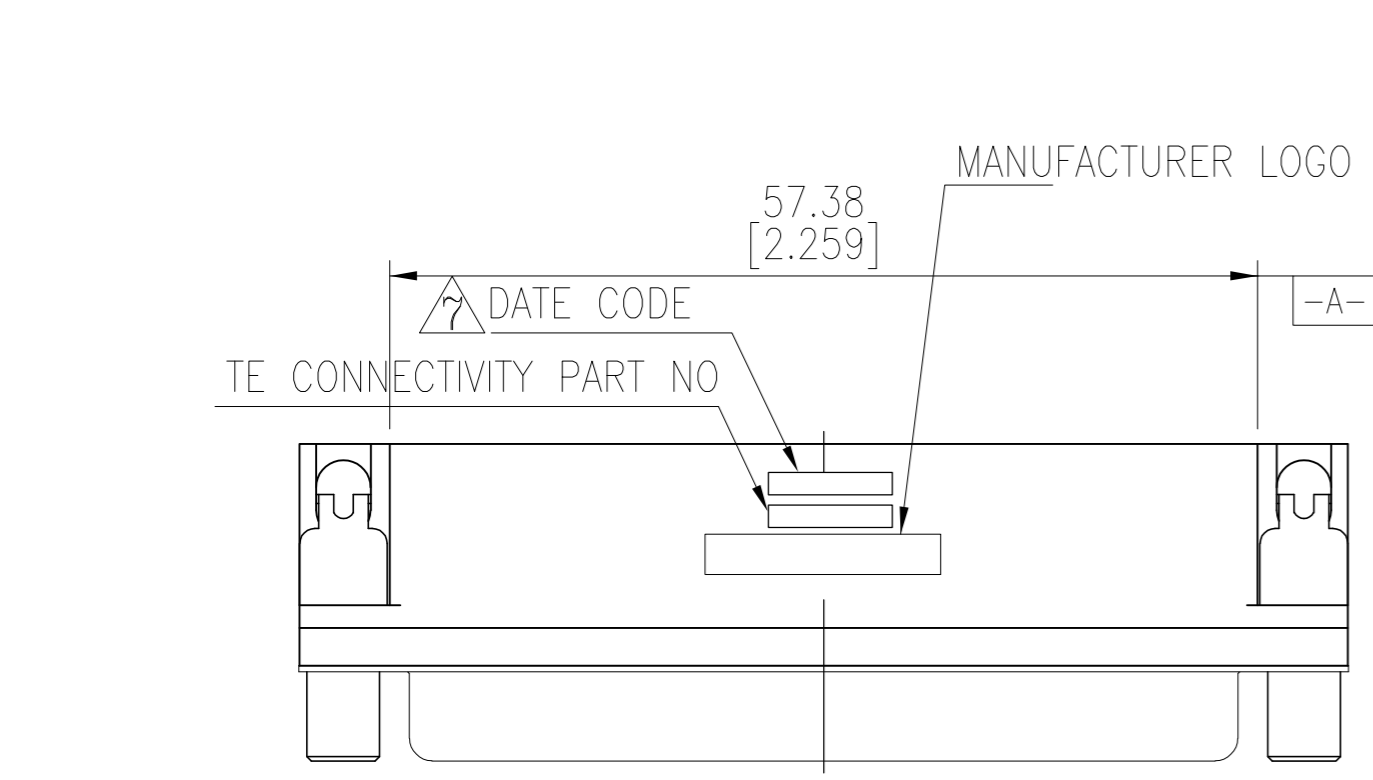


THIS DRAWING IS UNPUBLISHED. RELEASED FOR PUBLICATION
 © COPYRIGHT - By - ALL RIGHTS RESERVED.

LOC		DIST		REVISIONS			
P	LTR	DESCRIPTION	DATE	DWN	APVD		
GP	00	C	REVISED PER ECO-17-013750	16FEB2018	AP	DG	



- HOUSING MATERIAL: PBT, GLASS FILLED, BLACK, UL 94V-0 RATED.
- CONTACT MATERIAL: PHOSPHOR BRONZE.
- CONTACT FINISH: GOLD PLATE IN MATING AREA (SEE TABLE), 120μ" MIN TIN PLATE ON SOLDER TAIL, BOTH OVER 50μ" MIN NICKEL UNDERPLATE.
- SHELL: STEEL, NICKEL PLATE.
- BOARDLOCK: BRASS, 100μ" MIN TIN PLATE.
- FEMALE SCREWLOCKS/ THREADED INSERTS: BRASS, NICKEL PLATE.

FOUR DIGIT DATE CODE IN THIS FORMAT.

Year 01 45 Manufacturing Week

DATUMS \triangle & \square TO BE ESTABLISHED BY CUSTOMER.

OBSOLETE PARTS: OBSOLETE CIS STREAMLINING PER D.RENAUD/D.SINISI

OBSOLETE	Tray	Detail A	Gold flash	2-5748394-6
OBSOLETE	Tray	Detail A	15μ" MIN	2-5748394-5
OBSOLETE	Tray	Detail B	Gold flash	2-5748394-4
OBSOLETE	Tray	Detail B	15μ" MIN	2-5748394-3
OBSOLETE	Tray	Detail A	30μ" MIN	5748394-6
SUPERSEDED BY 2311771-1	Tray	Detail B	30μ" MIN	5748394-5
	Packaging	Mounting Flange Configuration	Contact Mating Area Finish	Part NO.

DIMENSIONS:		TOLERANCES UNLESS OTHERWISE SPECIFIED:		APVD		NAME	
mm	[INCHES]	0 PLC	± -	B. MCMMASTER	21SEP05	TE Connectivity	
		1 PLC	± 0.30	S. BOLASH	21SEP05	AMPLIMITE HD-22	
		2 PLC	± 0.20	M. WALMSLEY	21SEP05	62 POS RECEPTACLE, RIGHT ANGLE	
		3 PLC	± 0.10			SIZE	CAGE CODE
		4 PLC	± -			A2	00779
		ANGLES	± 2°			DRAWING NO	RESTRICTED TO
		FINISH	-			C=5748394	-
MATERIAL						SCALE	SHEET
						2:1	1 of 1
							REV
							C

5748394-6, 2--5, & 2--6, SHOWN

X-ON Electronics

Largest Supplier of Electrical and Electronic Components

Click to view similar products for [TE Connectivity](#) manufacturer:

Other Similar products are found below :

[D38999/24FJ4AN](#) [570416-000](#) [CLTEQ-M81CE-SSRELAY-4-20V](#) [4-1195131-0](#) [650069-000](#) [SMD100-2](#) [358838-000](#) [CB-1022B-78](#)
[RM707012](#) [RP410012](#) [MMS42](#) [1-640426-8](#) [2EDL4CM](#) [DTS20W19-11PD-3028-LC](#) [RM202615](#) [NC6-P104-06](#) [MSPS103B](#) [DTS26F21-](#)
[41HE-LC](#) [DTS26F21-41AE](#) [DTS26F21-41PE-LC](#) [DTS26F21-11SE-3028-LC](#) [30DCB6](#) [1932144-1](#) [293545-4](#) [LVR125S](#) [MS27466T25F4PB](#)
[CKB-38-78010](#) [TR04AI-TINELLOCKRING](#) [1206SFF150F/63-2](#) [D38999/20JB35HA](#) [TE1500A2R2J](#) [D38999/20WC8BB](#) [DTS24F19-11SC-](#)
[3028-LC](#) [D38999/24WG11HA](#) [D38999/24WG11HN](#) [MS27467T21F11H](#) [DJT16E21-11HA](#) [MS27467T21F35J](#) [MS27467T21F11J](#)
[MS27467T21F16H-LC](#) [MS27467T21F35H](#) [MS27467T21F41H-LC](#) [1206SFH150F/24-2](#) [RP330024](#) [DJT16E21-11PA-LC](#) [DJT16E21-11HA-](#)
[LC](#) [DJT16E21-11AA](#) [MS27467T21B11JA](#) [DJT16E21-11JA](#) [MS27467T21B11JA-LC](#)