

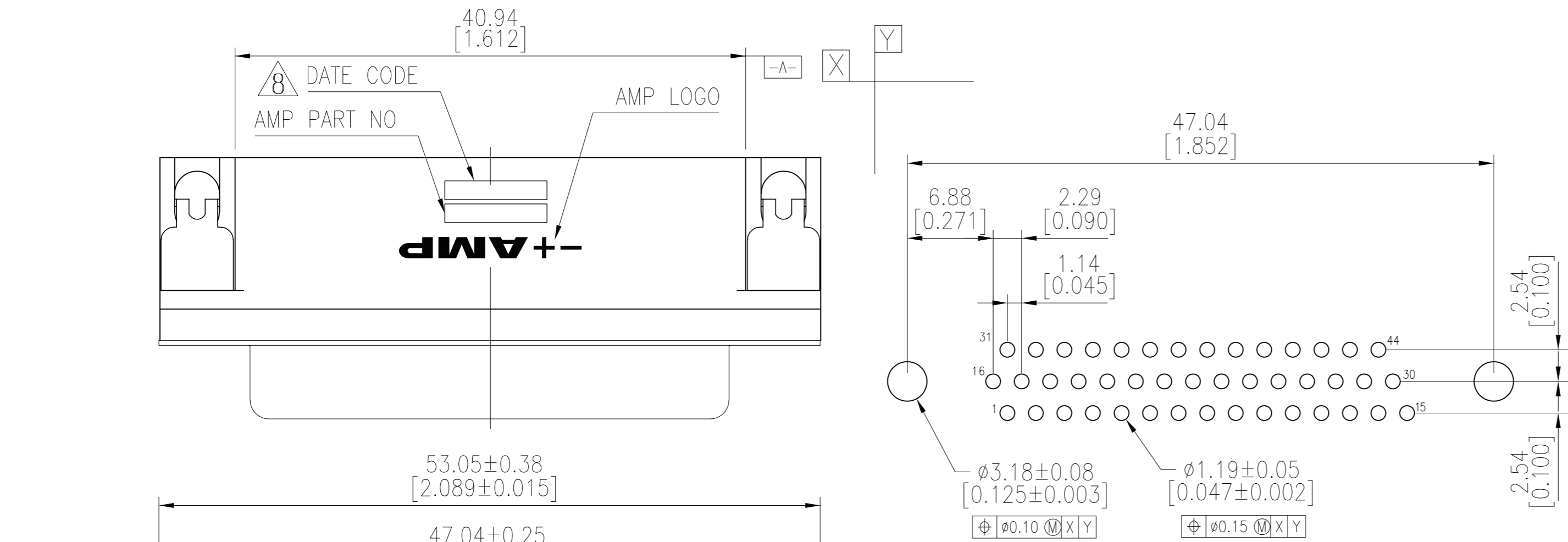
THIS DRAWING IS UNPUBLISHED. RELEASED FOR PUBLICATION
 © COPYRIGHT - By - ALL RIGHTS RESERVED.

LOC		DIST		REVISIONS			
P	LTR	DESCRIPTION		DATE	DWN	APVD	
GP	00	B		REVISED PER ECO-17-013750	16FEB2018	AP	DG

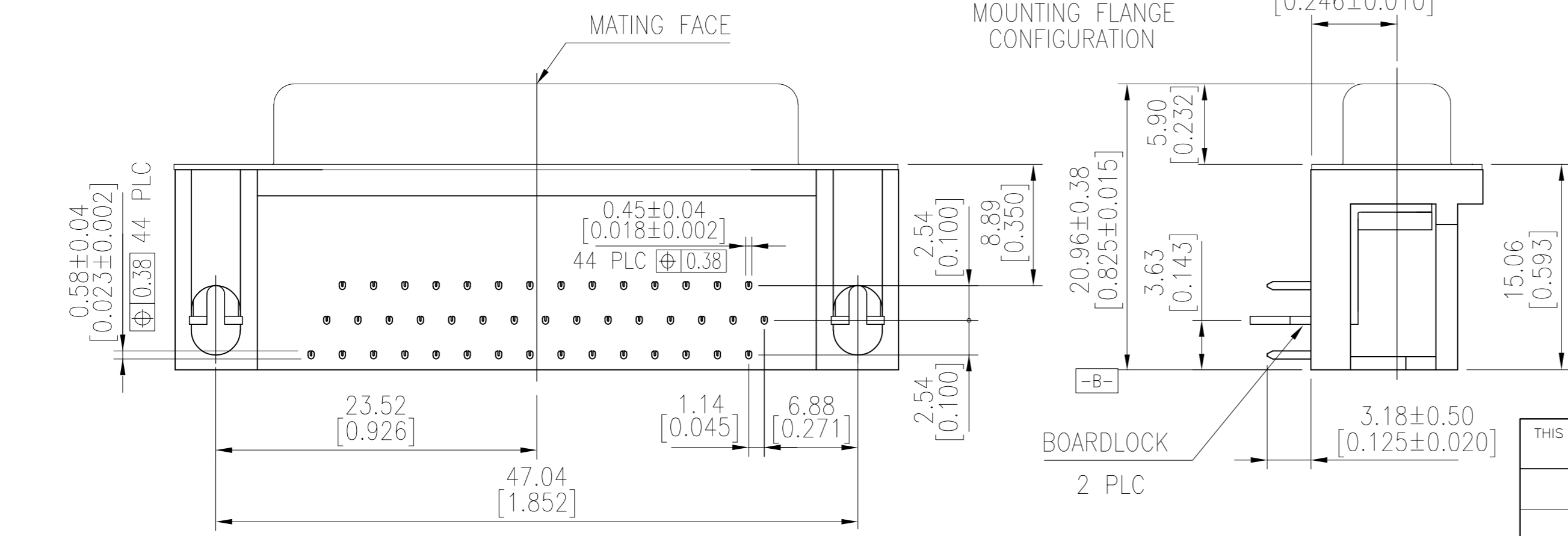
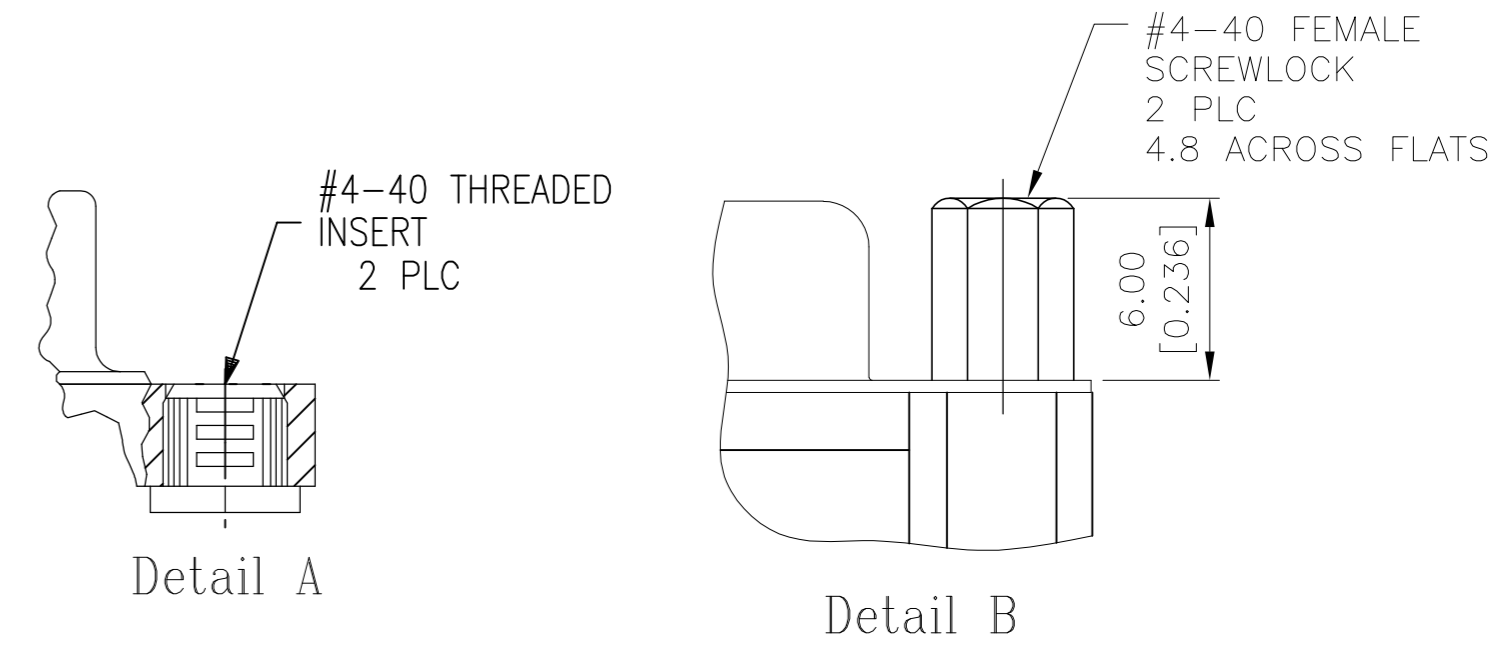
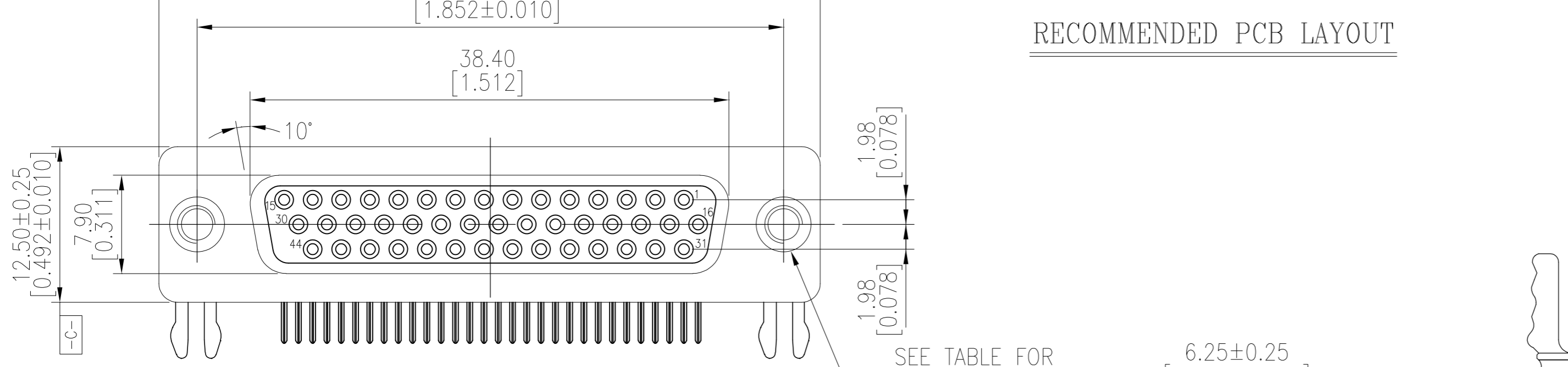
MATERIAL:

- Housing: PBT , 30 % G.F polyester, Black. (UL 94V-0 Rated)
- Contact: Phos. Bronze.
- Contact Plated: Gold Plated over 50u" Nickel underplated.
- Solder Tail: Sn Plated 120u" over 50u" Nickel underplated.
- Shell: Steel, Nickel Plated.
- Boardlocks: Brass, Tin Plated 100u".
- Screwlocks: Brass, Nickel Plated 30u".

△ Four digit date code in this format.
 Year 01 45 Manufacturing Week



RECOMMENDED PCB LAYOUT



SUPERSEDED BY	Tray	Detail B	Contact Finish	Part No
2311770-2	Tray	Detail B	15 μ"	2-5748482-5
OBSOLETE	Tray	Detail A	Gold flash	2-5748482-4
OBSOLETE	Tray	Detail A	15 μ"	2-5748482-3
SUPERSEDED BY 2311770-1	Tray	Detail A	30 μ"	5748482-5

DIMENSIONS:		TOLERANCES UNLESS OTHERWISE SPECIFIED:		APVD		NAME	
mm	[INCHES]	0 PLC	± -	J.GERACE	25FEB05	TE Connectivity	
		1 PLC	± 0.30	S.BOLASH <td>25FEB05</td> <td colspan="2">AMPLIMITE HD-22, 44 POSITION RECEPTACLE, RIGHT ANGLE</td>	25FEB05	AMPLIMITE HD-22, 44 POSITION RECEPTACLE, RIGHT ANGLE	
		2 PLC	± 0.20	M.WALMSLEY <td>25FEB05</td> <td>SIZE</td> <td>CAGE CODE</td>	25FEB05	SIZE	CAGE CODE
		3 PLC	± 0.10			A2	00779
		4 PLC	± -			SCALE	DRAWING NO
		ANGLES	± 2°			1:1	C=5748482
MATERIAL		FINISH				SHEET	RESTRICTED TO
						1 of 1	B

X-ON Electronics

Largest Supplier of Electrical and Electronic Components

Click to view similar products for [D-Sub High Density Connectors](#) category:

Click to view products by [TE Connectivity](#) manufacturer:

Other Similar products are found below :

[97-3250-11](#) [163A17089X](#) [164A17199X](#) [164C18629X](#) [L717HDB44POL2R210](#) [L717HDEH15POL2](#) [L777HDE15P](#) [L77HDE15SC309](#)
[163A16759X](#) [163A16839X](#) [163A16989X](#) [163A17079X](#) [164A17329X](#) [164A18219X](#) [241A16440X](#) [241A16550X](#) [241A16680X](#)
[241A20810X](#) [241A25740X](#) [CT25-44P](#) [MDBE15PE766](#) [L177HDE15SOL2RM23](#) [L177HRC62SVFM](#) [L177HRCG62S](#)
[L717HDEG15POL2RM5](#) [L77HDA26SVF](#) [L77HDE15SD1CO](#) [L77HDEH15SOL2RM832](#) [443895-3](#) [106698-1](#) [280-012K2C](#)
[DBMV13H3SNA197](#) [L177HRB44S](#) [164A17039X](#) [09562004701510](#) [164A17969X](#) [L777HRC62P](#) [241A17960X](#) [164A18269X](#)
[L777HDEG15P](#) [280-018P3S25MEGN](#) [206504-2](#) [40-9515HDSP](#) [2057140-1](#) [C115370-6002](#) [DFMA104SNMBFR172FR022](#) [HDC9F200E2S](#)
[L717HDAG26POL2RM8](#) [241A28180X](#) [2301835-1](#)