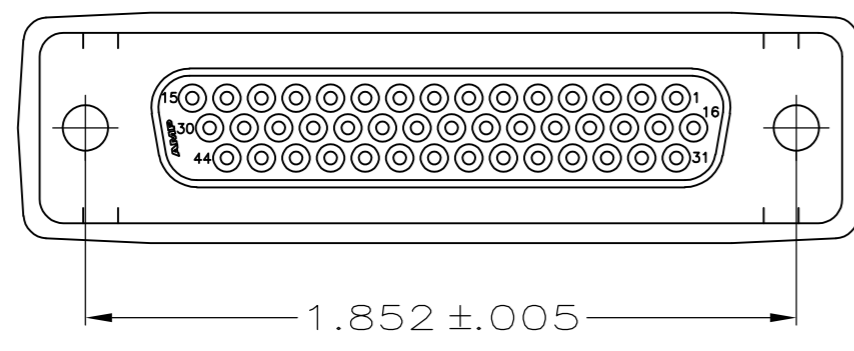
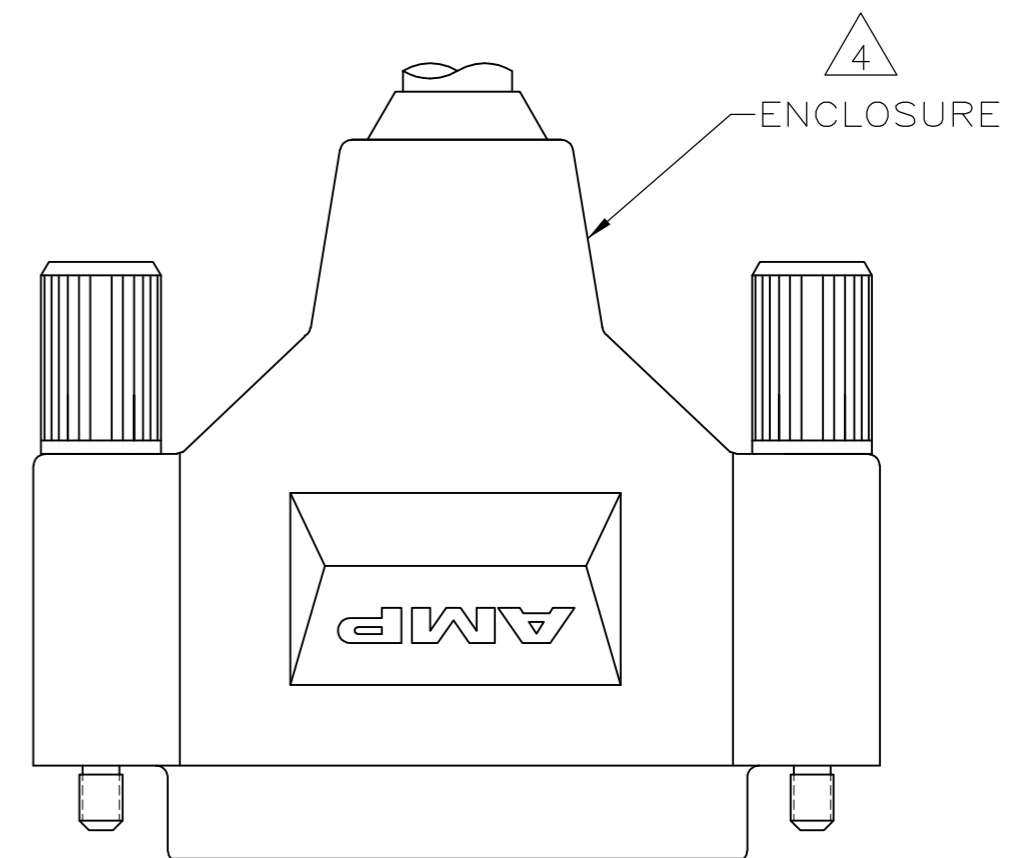
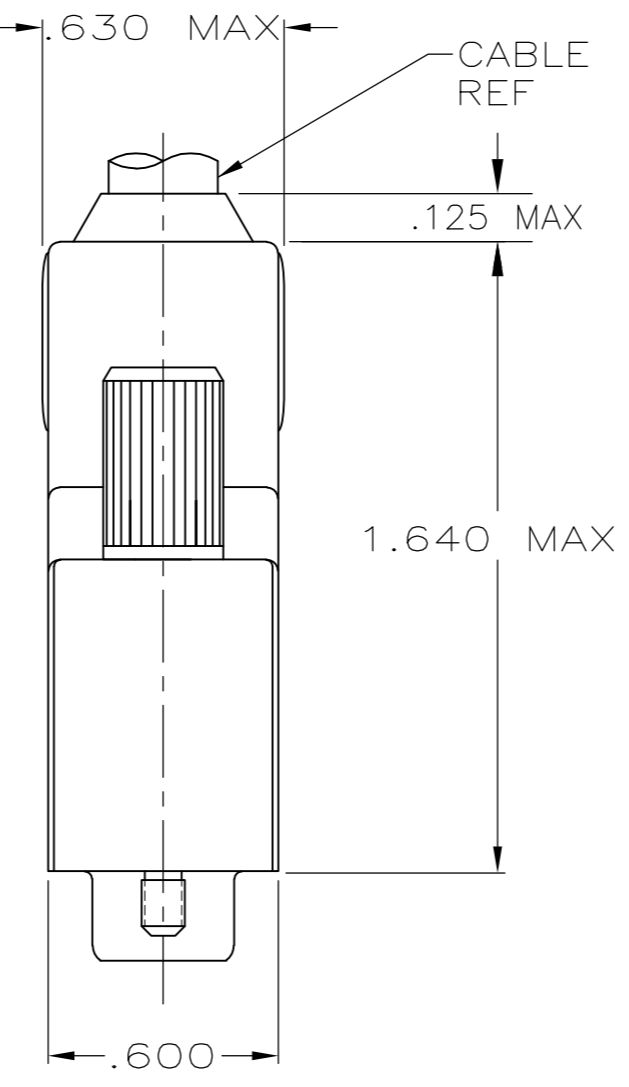
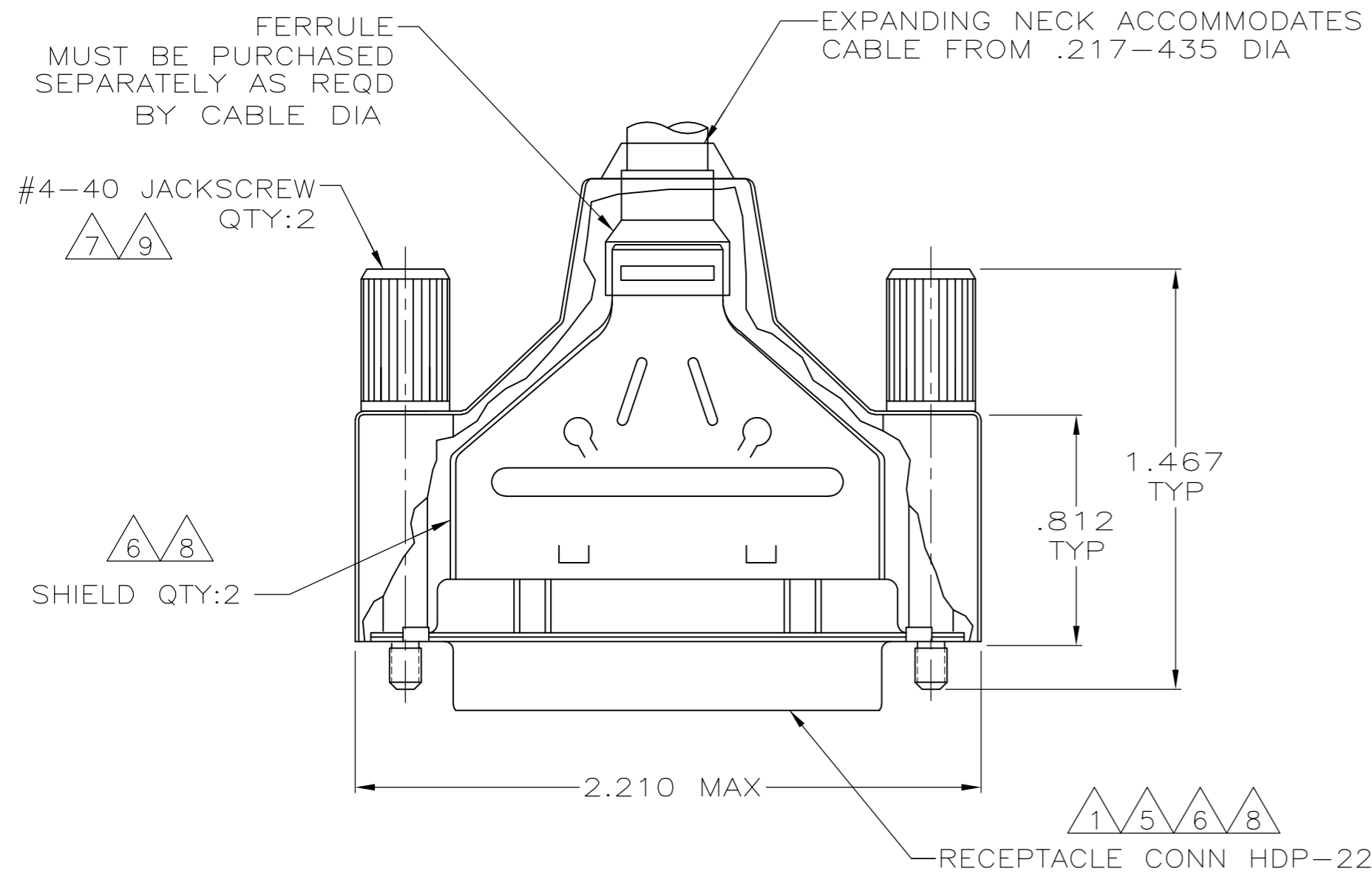


THIS DRAWING IS UNPUBLISHED. RELEASED FOR PUBLICATION
 © COPYRIGHT - By - ALL RIGHTS RESERVED.

REVISIONS				
P	LTR	DESCRIPTION	DATE	APVD
D		REVISED PER ECO-17-002903	20MAR2017	AP DG



- 1 RECEPTACLE ACCEPTS SIZE 22 DF SOCKET CONTACTS. CONTACTS MUST BE PURCHASED SEPARATELY.
- 2 ALL PARTS SHIPPED UNASSEMBLED.
- 3 COMPONENTS INDIVIDUALLY BULK PACKAGED.
- 4 ELASTOMER, STYRENE POLYOLEFIN OR PVC, COLOR BLACK.
- 5 FLAME RETARDANT GLASS FILLED, 94V-0 RATED, COLOR BLACK.
- 6 CARBON STEEL PER ASTM A109.
- 7 CARBON STEEL, C1022.
- 8 .000200 MIN TIN PLATE OVER .000100 MIN COPPER UNDERPLATE.
- 9 BLACK ZINC FLAKE COATING.

3	W/ LOGOS	5748641-1
PACKAGING	REMARKS	PART NUMBER

THIS DRAWING IS A CONTROLLED DOCUMENT.		DWN L. VARELA - DOCK5 12-21-04	TE TE Connectivity	
DIMENSIONS: INCHES		CHK J. GERACE 12-21-04		
TOLERANCES UNLESS OTHERWISE SPECIFIED:		APVD M. WALMSLEY 12-21-04	NAME SHIELDING ENCLOSURE KIT, RECEPTACLE, SIZE 3, 44 POSITION, AMPLIMITE, HDP-22	
0 PLC ± -		PRODUCT SPEC 108-40005 & 108-40030	SIZE CAGE CODE DRAWING NO RESTRICTED TO	
1 PLC ± -		APPLICATION SPEC 114-40030	A2 00779 C=5748641	
2 PLC ± -		WEIGHT 0.000000	SCALE 2:1 SHEET 1 of 1 REV D	
3 PLC ± .020		CUSTOMER DRAWING		
4 PLC ± -				
ANGLES ± -				
FINISH				

X-ON Electronics

Largest Supplier of Electrical and Electronic Components

Click to view similar products for [D-Sub High Density Connectors](#) category:

Click to view products by [TE Connectivity](#) manufacturer:

Other Similar products are found below :

[97-3250-11](#) [163A16809X](#) [163A17089X](#) [164A17199X](#) [164C18629X](#) [242A25680X](#) [L717HDB44POL2R210](#) [L717HDEH15POL2](#)
[L777HDE15P](#) [L77HDE15SC309](#) [163A16759X](#) [163A16839X](#) [163A16989X](#) [163A17079X](#) [164A17329X](#) [164A18219X](#) [241A16440X](#)
[241A16550X](#) [241A16680X](#) [241A20810X](#) [241A25740X](#) [CT25-44P](#) [MDBE15PE766](#) [L177HDE15SOL2RM23](#) [L177HRC62SVFM](#)
[L177HRCG62S](#) [L717HDEG15POL2RM5](#) [L77HDA26SVF](#) [L77HDE15SD1CO](#) [L77HDEH15SOL2RM832](#) [DAMA-15S-WS](#) [443895-3](#)
[106698-1](#) [280-012K2C](#) [DBMV13H3SNA197](#) [L177HRB44S](#) [164A17039X](#) [09562004701510](#) [164A17969X](#) [L777HRC62P](#) [241A17960X](#)
[164A18269X](#) [L777HDEG15P](#) [280-018P3S25MEGN](#) [206504-2](#) [40-9515HDSP](#) [2057140-1](#) [C115370-6002](#) [DFMA104SNMBFR172FR022](#)
[HDC9F200E2S](#)