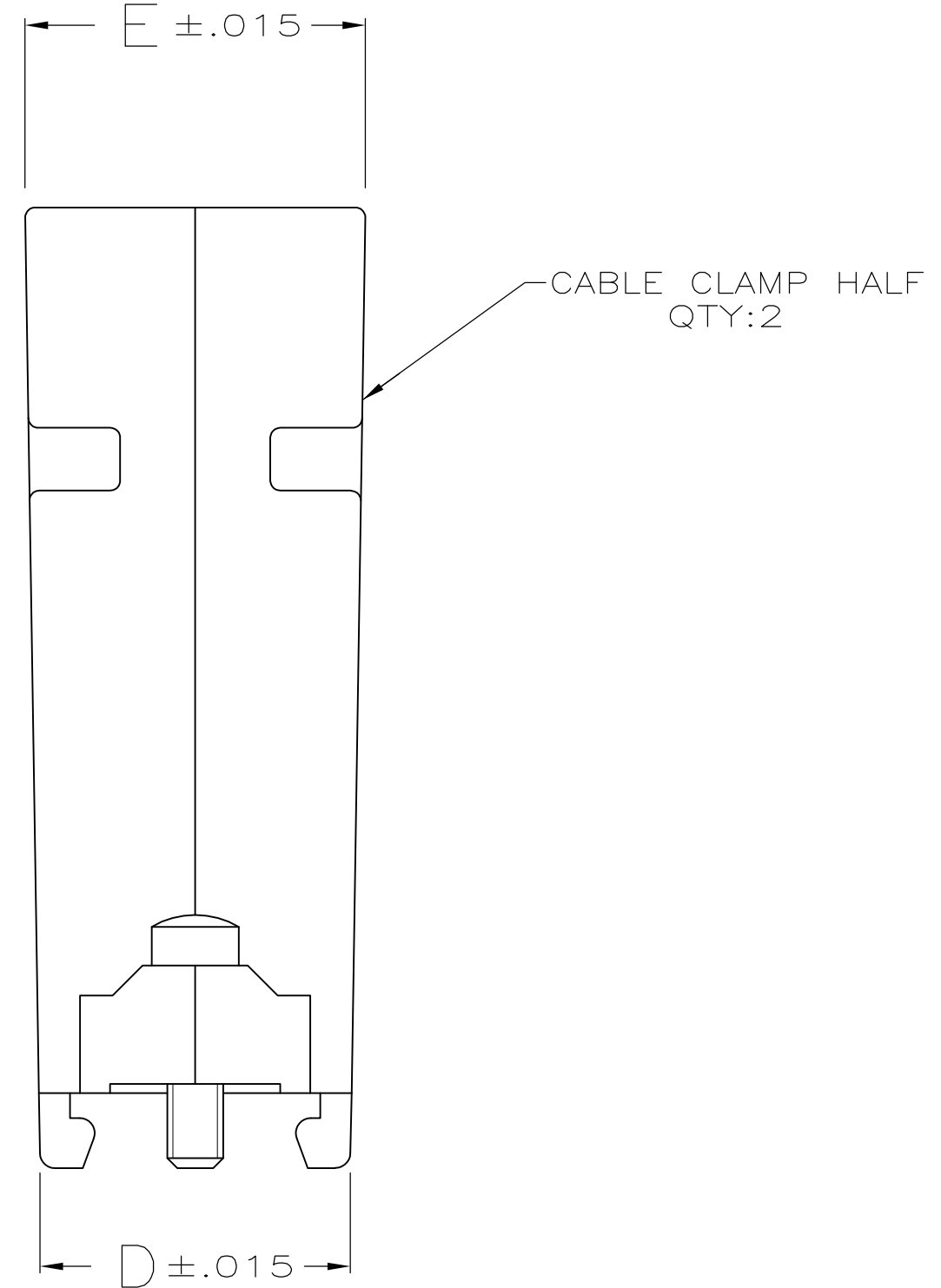
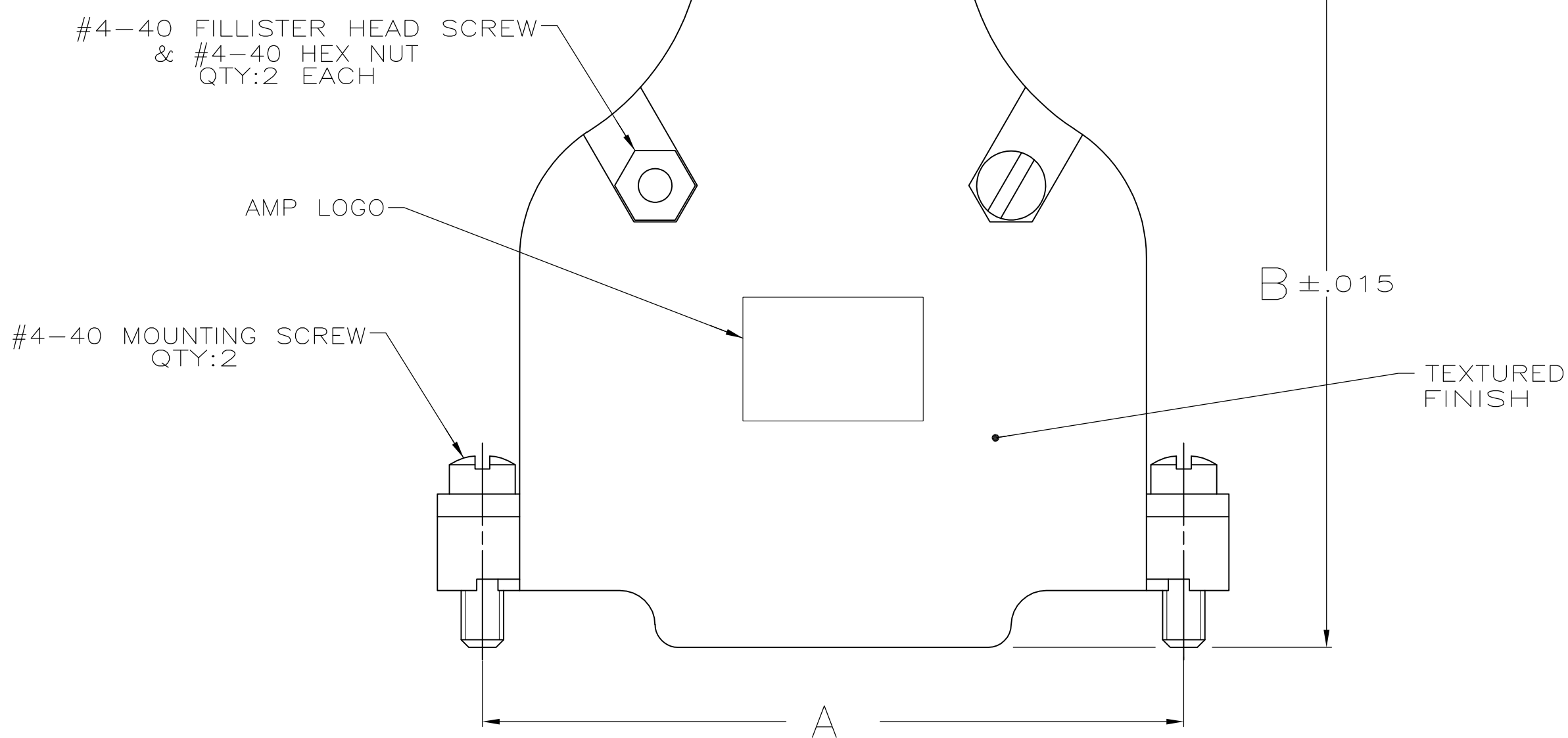
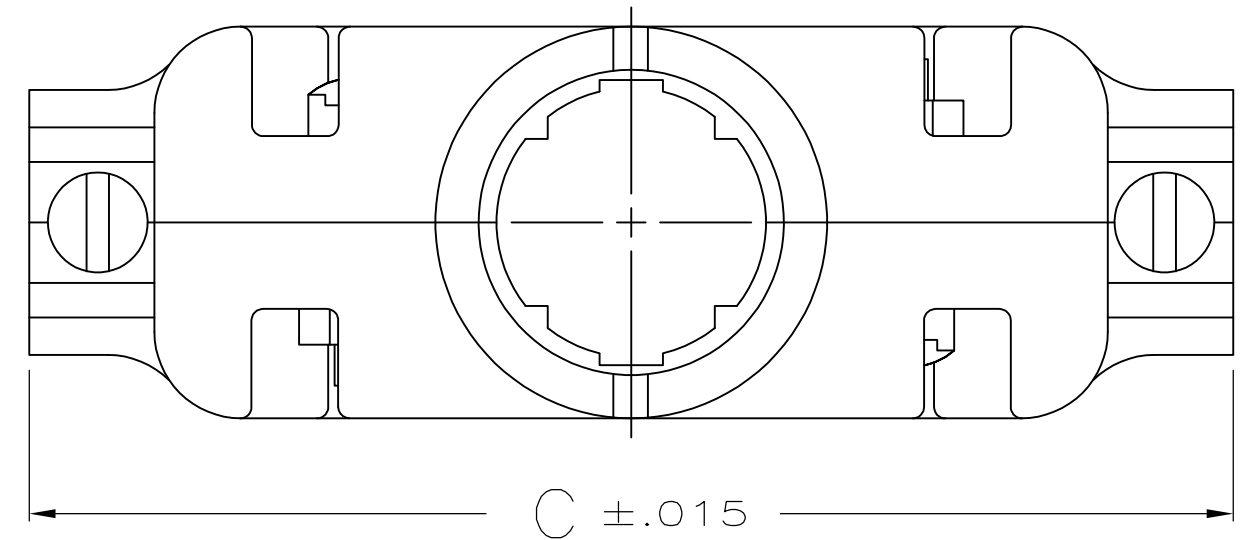
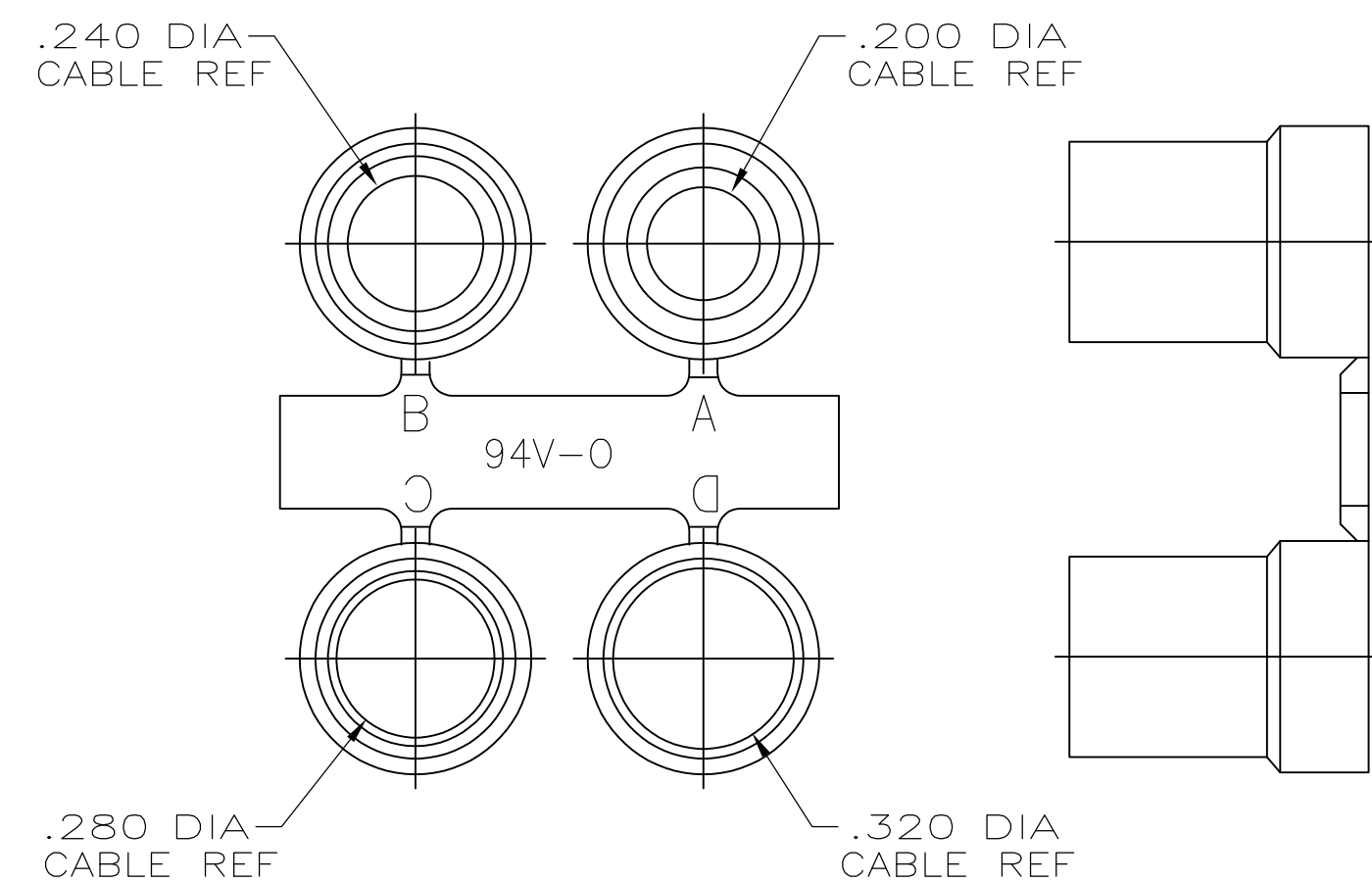


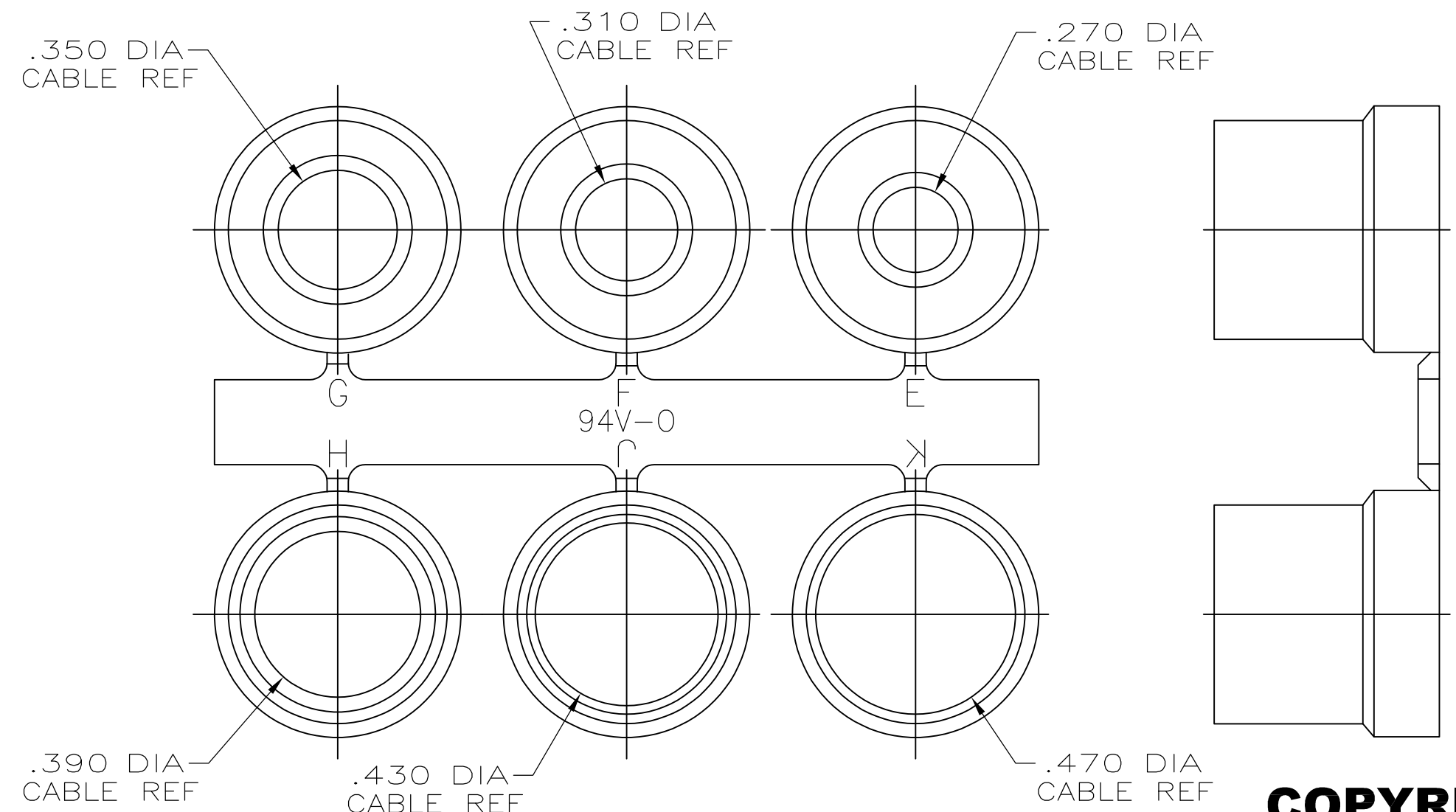
LOC		DIST		REVISIONS				
GP	00	REV	DATE	BY	CHK	APPV		
A1	REVISED PER ECO-11-004835	11MAR11	RK	HMR				



- PARTS PACKAGED UNASSEMBLED AS A UNIT KIT.
- CABLE CLAMP HALVES: ZINC ALLOY, FILLISTER HEAD SCREWS, HEX NUTS & MOUNTING SCREWS: STEEL
GROMMETS: FLEXIBLE PVC, UL 94V-0 RATED, COLOR: BLACK.
- CABLE CLAMP HALVES: NICKEL OVER COPPER, FILLISTER HEAD SCREWS, HEX NUTS & MOUNTING SCREWS: ZINC PLATED .000200-.000400 THICK, CLEAR CHROMATE COATING.
- OBSOLETE



GROMMET ASSORTMENT FOR SIZES 1 & 2 ONLY



GROMMET ASSORTMENT FOR SIZES 3, 4 & 5 ONLY

SIZE	CAGE CODE	DRAWING NO	RESTRICTED TO
A1	00779	C=5748676	

**COPYRIGHT 2005
TE CONNECTIVITY CORP
ALL RIGHTS RESERVED**

THIS DRAWING IS A CONTROLLED DOCUMENT.

DIMENSIONS: INCHES	TOLERANCES UNLESS OTHERWISE SPECIFIED:	DIN D. HENNY 8-17-05	APPROVED: M. WALMSLEY 8-17-05	NAME: KIT, CABLE CLAMP, 180 DEG EXIT, W/GROMMETS, AMPLIMITE SERIES
0. PLC ± .005	1. PLC ± .005	2. PLC ± .005	3. PLC ± .005	4. PLC ± .005
ANGLES ± .005				
MATERIAL	FINISH	WEIGHT	SCALE: 1:1	SHEET 1 OF 1

CUSTOMER DRAWING

X-ON Electronics

Largest Supplier of Electrical and Electronic Components

Click to view similar products for [D-Sub Backshells](#) category:

Click to view products by [TE Connectivity](#) manufacturer:

Other Similar products are found below :

[M85049/6-38N](#) [M85049/86-12N03](#) [M85049/90-13P03](#) [70.350.0636.4](#) [70.350.2435.1](#) [72.350.1035.2](#) [72.352.2435.1](#) [73.359.4035.3](#) [829472-1](#)
[PCS-E20W](#) [970-015-040R011](#) [970-025-040R011](#) [971-009-030R121](#) [971-009-040R011](#) [971-015-040R011](#) [1437013-9](#) [1484402-8](#) [156-3025-](#)
[EX](#) [16-500800](#) [165X02659X](#) [165X03329A](#) [165X03399A](#) [165X10259X](#) [165X11759X](#) [165X11889X](#) [165X13019X](#) [165X13029X](#)
[165X13169X](#) [165X13199X](#) [165X13239X](#) [165X13389X](#) [165X13489X](#) [165X14219X](#) [165X14449X](#) [165X17409X](#) [165X17439X](#)
[165X17569X](#) [165X17599X](#) [165X17609X](#) [165X17889X](#) [165X17979X](#) [L171373](#) [971-025-030R121](#) [300X10989X](#) [165X02609X](#)
[165X02689X](#) [165X04219A](#) [165X10469X](#) [165X11279X](#) [165X11789X](#)