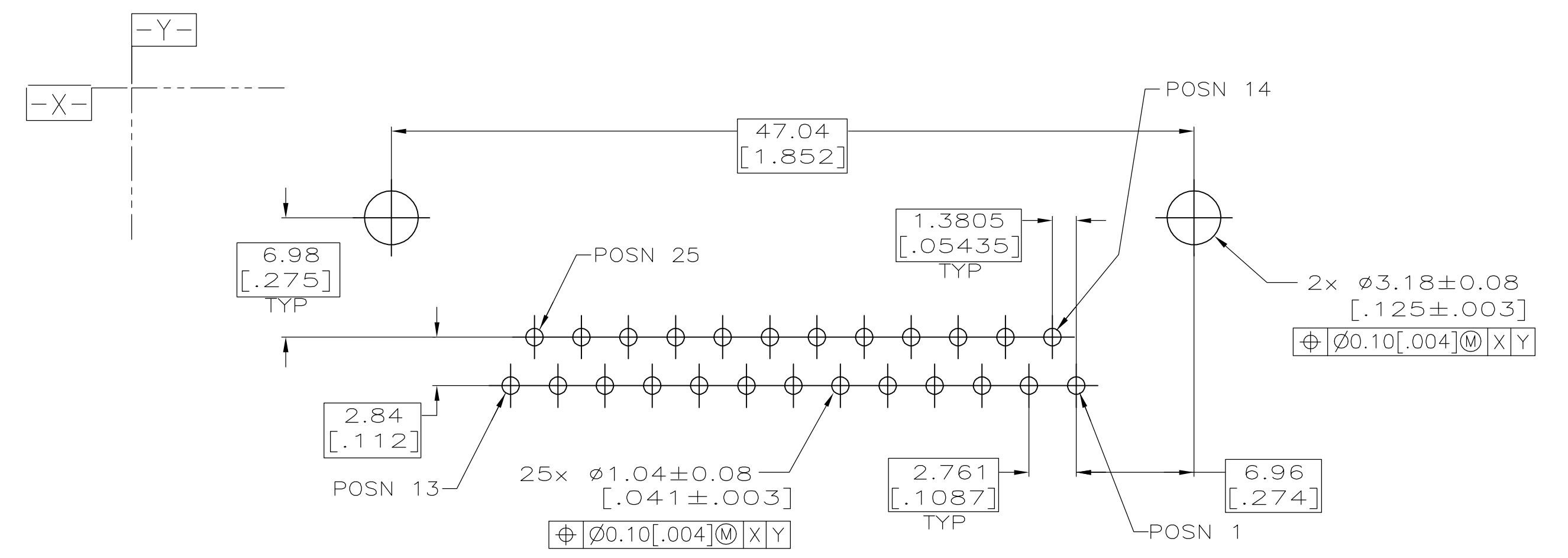
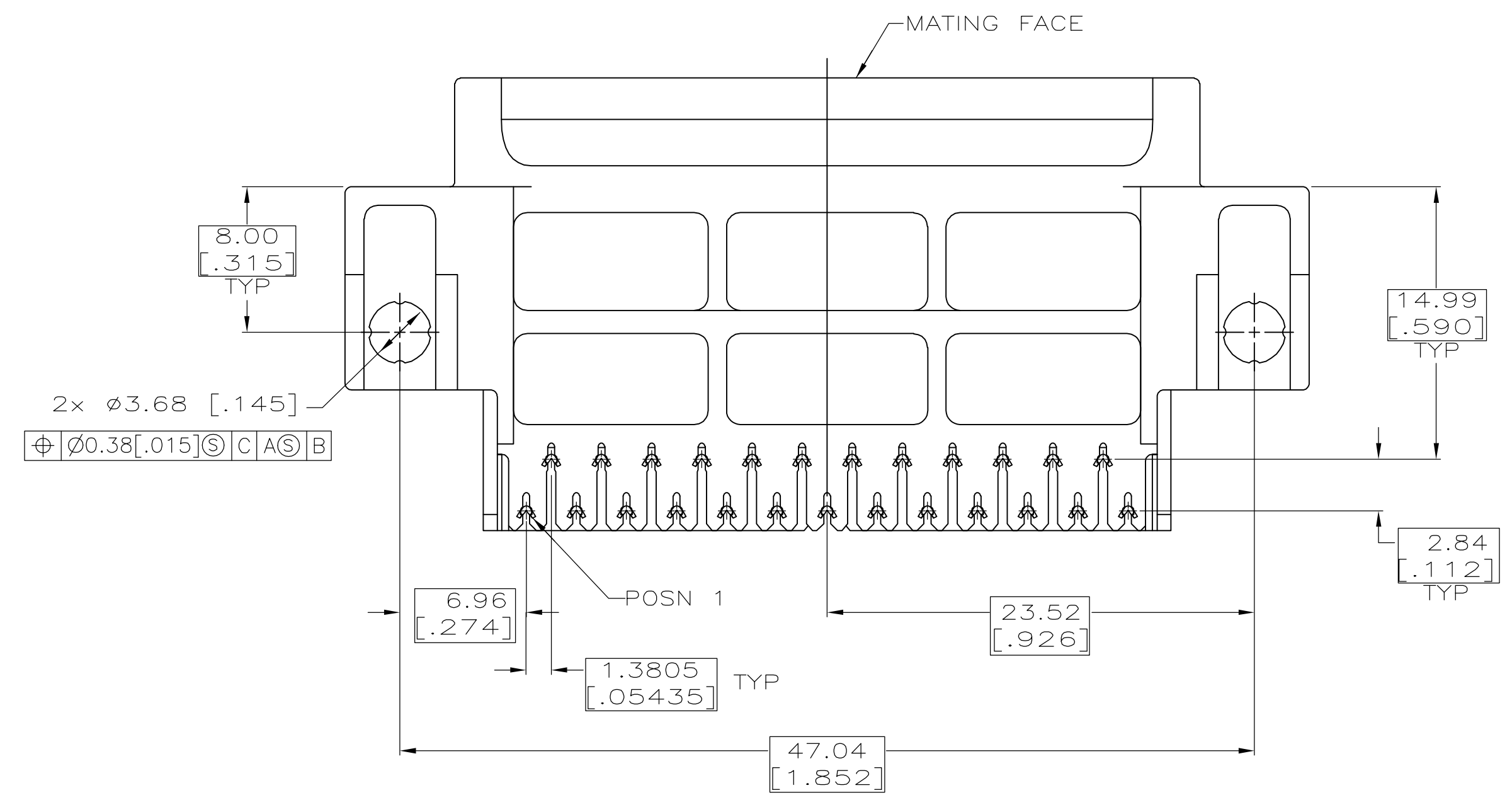
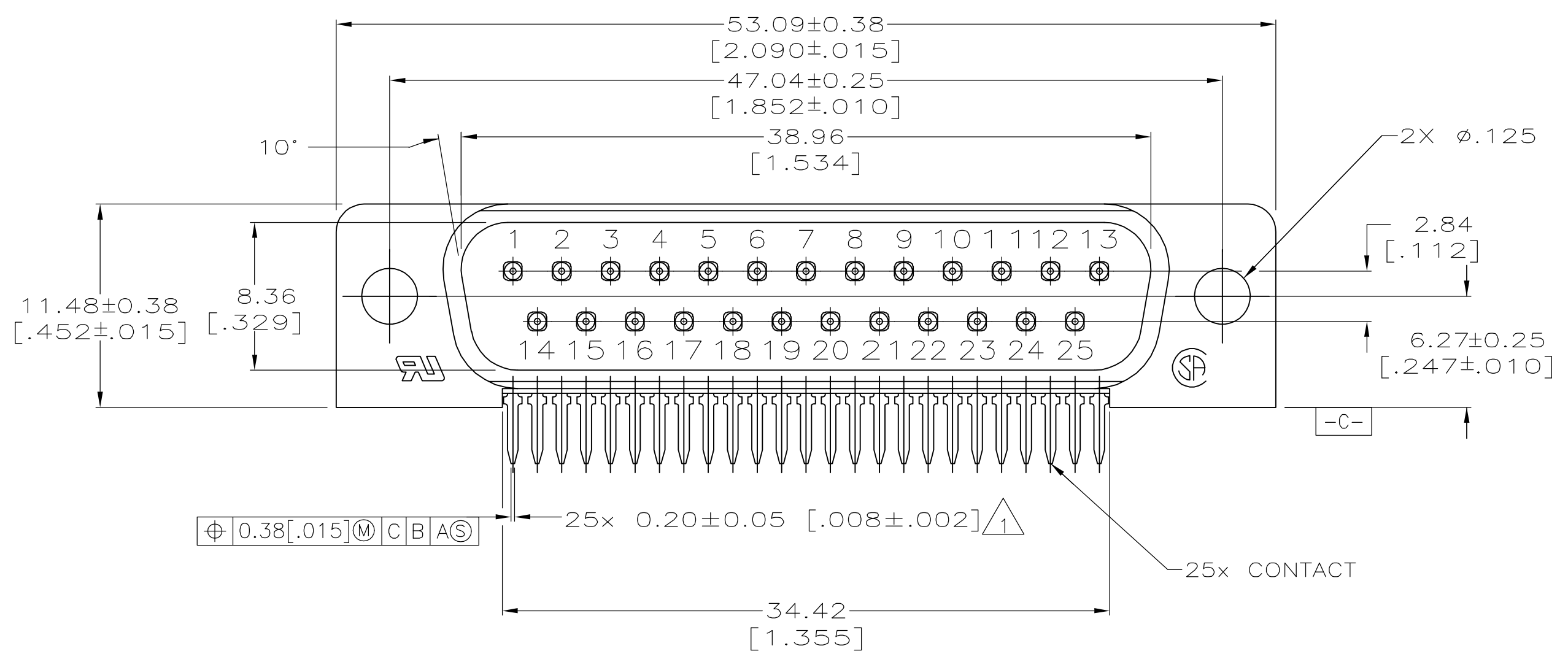
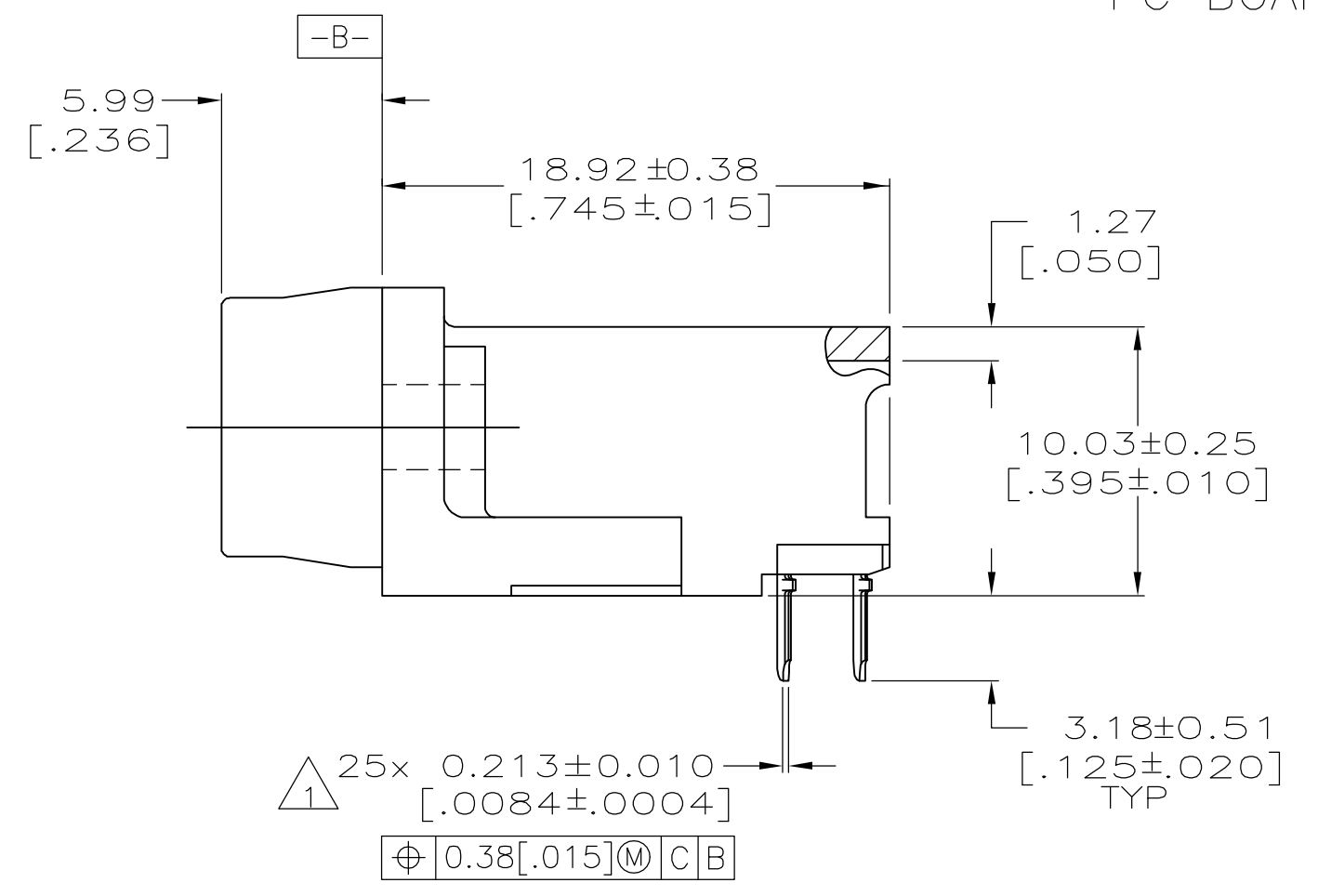


TYCO, PART NO & DATE CODE, MARKED IN AREA INDICATED  
 CL OF DATUM A



PC BOARD MOUNTING DIMENSIONS



- 1 POSITION TOLERANCE APPLIES AT TIP ONLY.
- 2 HOUSING: FLAME RETARDANT UL94V-0 NYLON OR POLYESTER; COLOR: BLACK  
CONTACTS: BRASS
- 3 GOLD PLATED FOR A LENGTH OF 3.81[.150] MIN FROM MATING END, 0.76 μm[.000030] MIN GOLD IN MATED AREA, 2.54 μm[.0001] MIN TIN FOR A LENGTH OF 3.68[.145] MIN FROM OPPOSITE END, BOTH OVER 1.27 μm[.000050] MIN NICKEL.
- 4 GOLD PLATED FOR A LENGTH OF 3.81[.150] MIN FROM MATING END, GOLD FLASH IN MATED AREA, 2.54 μm[.0001] MIN TIN FOR A LENGTH OF 3.68[.145] FROM OPPOSITE END, BOTH OVER 1.27 μm[.000050] MIN NICKEL.

4	5748826-2
3	5748826-1
CONTACT FINISH	PART NO

**COPYRIGHT 2005  
 TYCO ELECTRONICS CORP  
 ALL RIGHTS RESERVED**

THIS DRAWING IS A CONTROLLED DOCUMENT.		DWN G.PETERS	20SEP05	Tyco Electronics Corporation Harrisburg, PA 17105-3608
DIMENSIONS: mm [INCHES]		CHK S.BOLASH	20SEP05	
TOLERANCES UNLESS OTHERWISE SPECIFIED:		APVD M.WALMSLEY	20SEP05	NAME PRODUCT SPEC 108-1226 APPLICATION SPEC 114-40027
0 PLC ± -		SIZE CAGE CODE DRAWING NO A1 00779 C=5748826		
1 PLC ± -		RESTRICTED TO		
2 PLC ± 0.13 [005]		SCALE 4:1 SHEET 1 OF 1 REV 0		
3 PLC ± -		CUSTOMER DRAWING		
4 PLC ± -				
ANGLES ± 2				
FINISH SEE TABLE				

## X-ON Electronics

Largest Supplier of Electrical and Electronic Components

*Click to view similar products for [D-Sub Standard Connectors](#) category:*

*Click to view products by [TE Connectivity](#) manufacturer:*

Other Similar products are found below :

[56F711-015](#) [012-9507-004](#) [LV242999-142T12](#) [015-0341-000](#) [015-0372-005](#) [015-0372-008](#) [015-8755-001](#) [020419-0104](#) [012-0467-000](#) [012-0515-000](#) [012-9507-034](#) [012-9507-114](#) [020745-0008](#) [609-25P](#) [M24308/2-23Z](#) [CT2-14S-2PCA34](#) [CT2-18-11PCAU](#) [CT6-10SL-3SC](#) [CT6-10SL-4SC](#) [CT6-14S-2SC](#) [CT6E14SA7SC](#) [M83513/01-FC](#) [M83723/76W24619 L/C](#) [M85049/48-3-2F](#) [6STD09PCM99B70X](#) [6STD09SCM99B30X](#) [6STD09SCT99S40X](#) [6STD15PCT99S40X](#) [6STD15SCM99B30X](#) [6STD15SCT99S40X](#) [6STF09PCM05B70X](#) [7-135760-9](#) [MC11E-10-6SN](#) [747552-3](#) [MD1-21PS](#) [MDM-15SCBRM7-F222](#) [MDM96517-699](#) [MDM96521-744](#) [MDVB1-21SL1](#) [MIK0-1-7SH003](#) [MIKQ6-7SH076](#) [MIKQ7-7PH077](#) [MIKQ7-7PH11](#) [MIKQ7-7PH32](#) [MJSV-28SL61](#) [MKJ4A1F14-55S](#) [8-135760-3](#) [8STD09PCM99B30X](#) [PG-KV/PV-16-GROM-SEALING](#) [GDA15P](#)