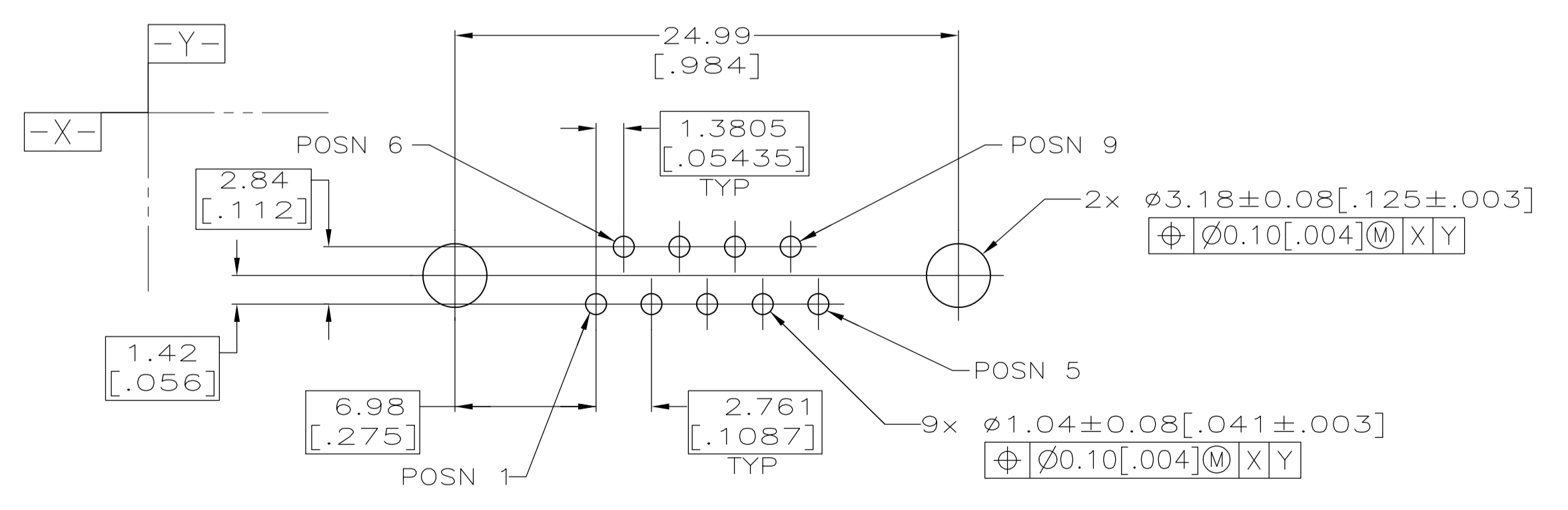
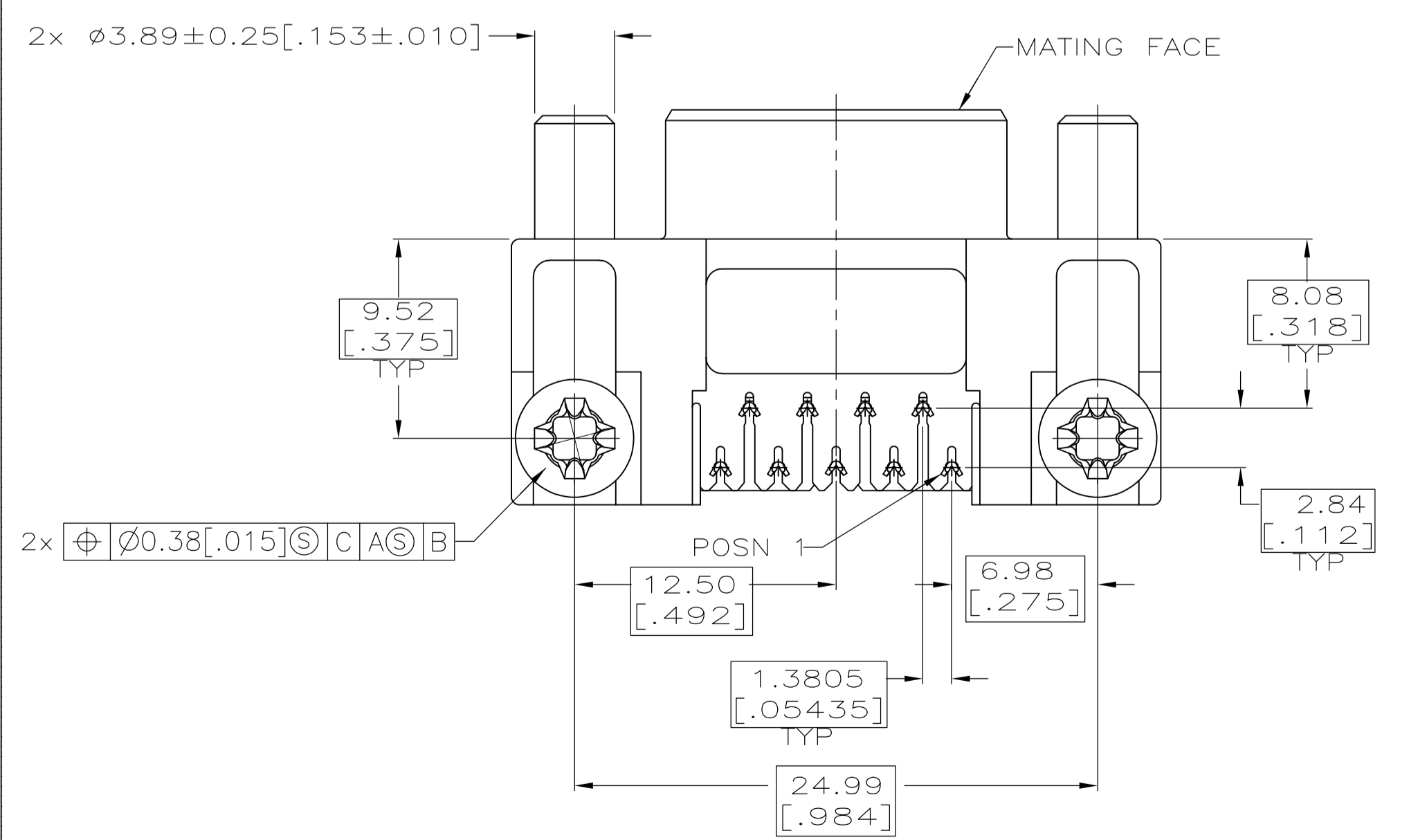
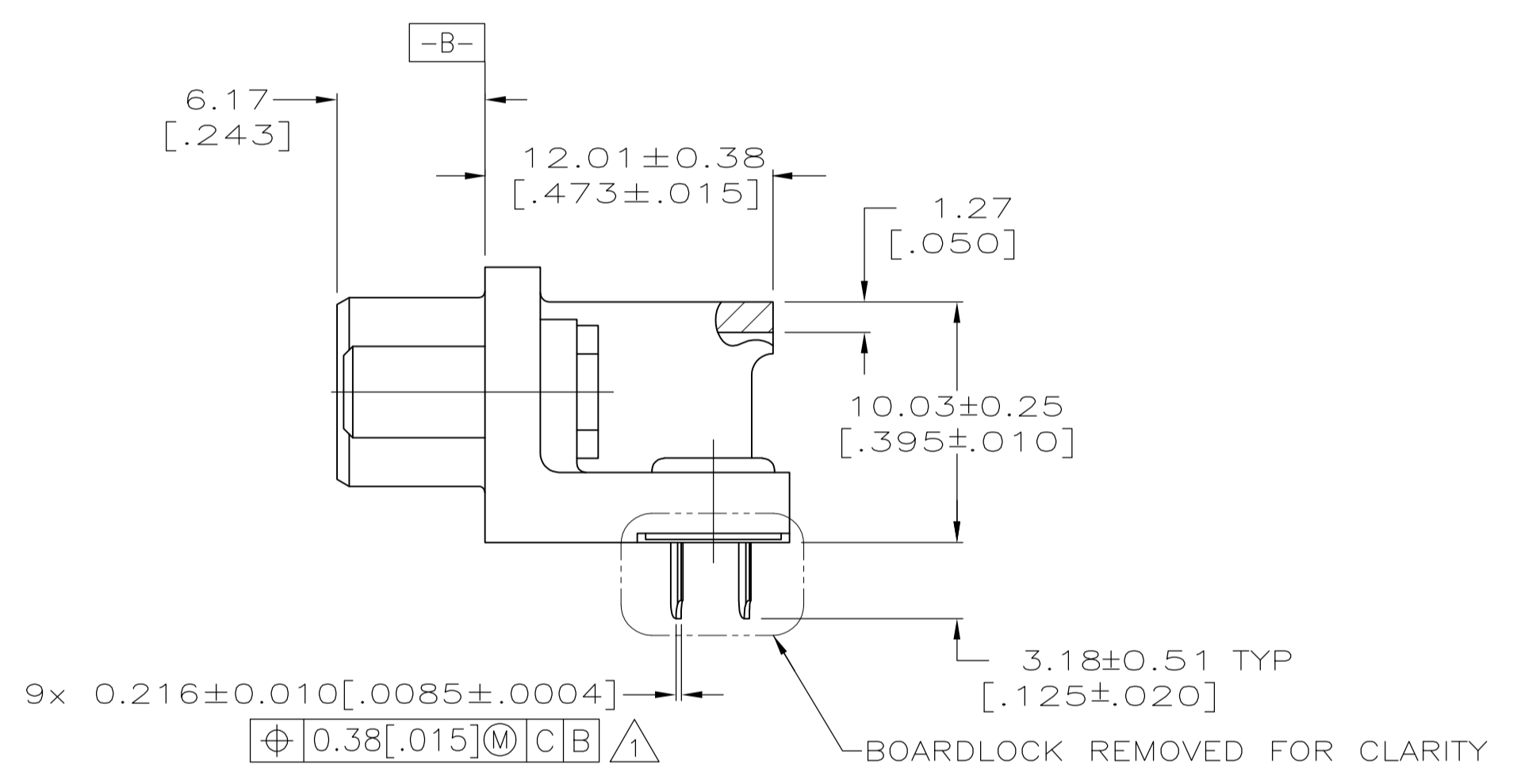
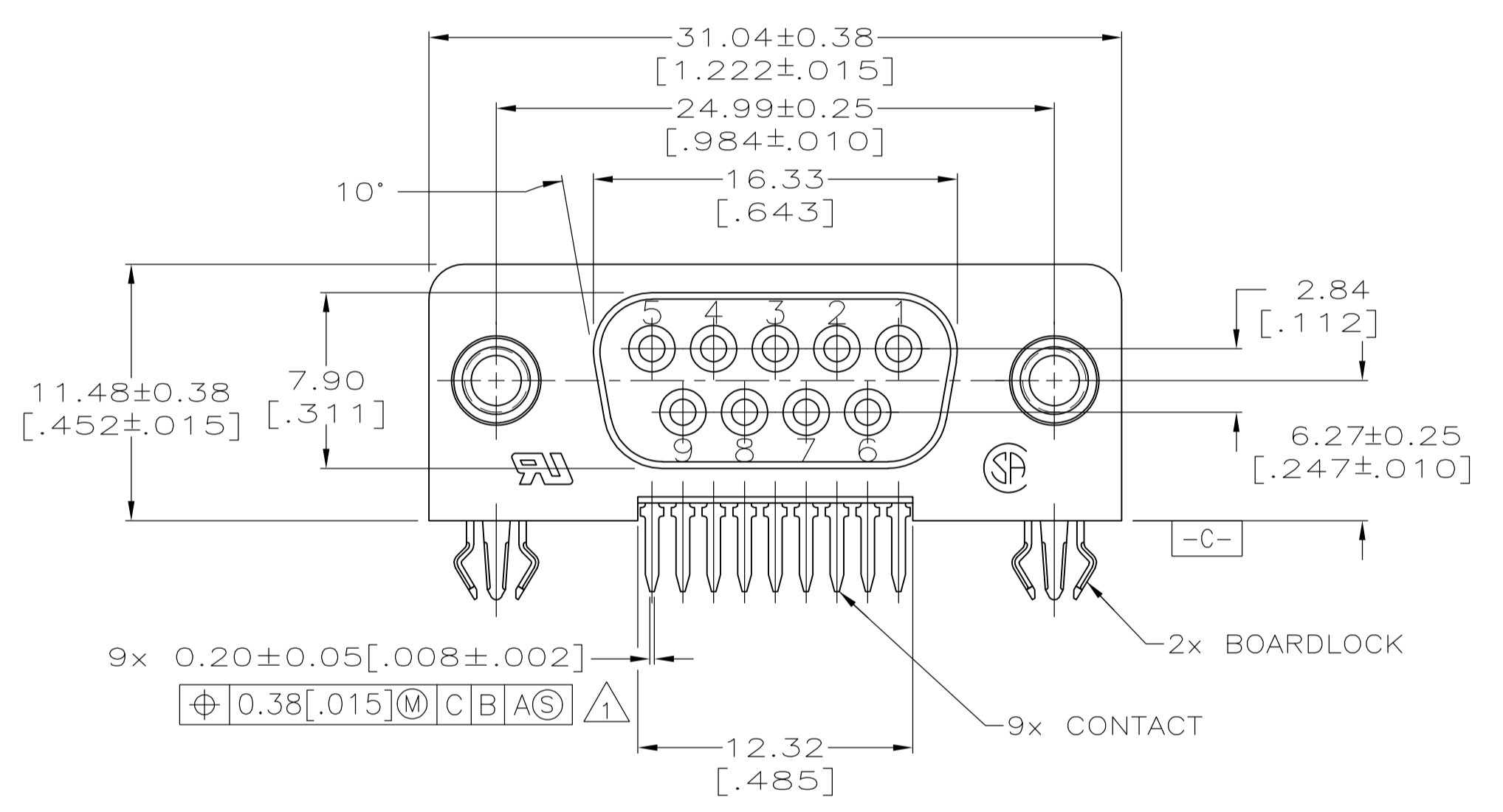


- 1 POSITION TOLERANCE APPLIES AT TIP ONLY.
- 2 HOUSING: FLAME RETARDANT, UL94V-0 RATED, GLASS FILLED NYLON OR POLYESTER, COLOR BLACK.
 CONTACTS: PHOSPHOR BRONZE.
 EYELETS: BRASS.
 SCREWLOCKS: ZINC.
 BOARDLOCKS: COPPER ALLOY.
- 3 EYELETS: 2.54 μm [.000100] MIN TIN OVER COPPER FLASH.
 BOARDLOCKS: 3.81 μm [.00015] MIN TIN OVER 1.27 μm [.000050] MIN NICKEL.
 CONTACTS: 0.76 μm [.00030] MIN GOLD FOR A LENGTH OF 1.52 [.060] MIN FROM MATING END, 2.54 μm [.0001] MIN TIN FOR A LENGTH OF 3.68 [.145] FROM OPPOSITE END, BOTH OVER 1.27 μm [.000050] MIN NICKEL.
 SCREWLOCKS: CLEAR CHROMATE COATING.
- 4 NO SCREWLOCKS. .126 MOUNTING HOLE.



| | |
|---|-------------|
| 4 | 5748979-2 |
| | 5748979-1 |
| | PART NUMBER |

PC BOARD MOUNTING DIMENSIONS
 (.062 PC BOARD THICKNESS)

| | | | | |
|--|------------|----------------------------|--|---------------------|
| THIS DRAWING IS A CONTROLLED DOCUMENT. | | DIN G. PETERS 22SEP05 | Tyco Electronics Corporation Harrisburg, PA 17105-3608 | |
| DIMENSIONS: mm (INCHES) | | CHK S. BOLASH 22SEP05 | NAME RECEPTACLE ASSEMBLY, SIZE 1, 9 POSN, ALL PLASTIC, RIGHT ANGLE, .318 SERIES, AMPLIMITE III | |
| TOLERANCES UNLESS OTHERWISE SPECIFIED: | | APPD M. WALMSLEY 22SEP05 | PRODUCT SPEC 108-1226 | |
| 0 PLC ± - | 1 PLC ± - | APPLICATION SPEC 114-40027 | | |
| 2 PLC ± 0.13 [.005] | 3 PLC ± - | SIZE A1 | CAGE CODE 00779 | DRAWING NO. 5748979 |
| 4 PLC ± - | ANGLES ± ° | WEIGHT - | SCALE 4:1 | SHEET 1 OF 1 |
| MATERIAL | FINISH | CUSTOMER DRAWING | | |

X-ON Electronics

Largest Supplier of Electrical and Electronic Components

Click to view similar products for [D-Sub Standard Connectors](#) category:

Click to view products by [TE Connectivity](#) manufacturer:

Other Similar products are found below :

[56F711-015](#) [012-9507-004](#) [LV242999-142T12](#) [015-0341-000](#) [015-0349-000](#) [015-0372-005](#) [015-0372-008](#) [015-8755-001](#) [020419-0104](#) [012-0467-000](#) [012-0515-000](#) [012-9507-034](#) [012-9507-114](#) [020745-0008](#) [609-25P](#) [M24308/2-23Z](#) [CT2-14S-2PCA34](#) [CT2-18-11PCAU](#) [CT2-36-15SC](#) [CT6-14S-2SC](#) [CT6E14SA7SC](#) [CT6E22-14PC](#) [CT6E22-14PS](#) [CT6E22-22PS](#) [M83513/01-FC](#) [M85049/48-3-2F](#) [6STD09PCM99B70X](#) [6STD09SCM99B30X](#) [6STD09SCT99S40X](#) [6STD15PCT99S40X](#) [6STD15SCM99B30X](#) [6STD15SCT99S40X](#) [6STF09PCM05B70X](#) [7-135760-9](#) [MC11E-10-6SN](#) [747552-3](#) [MD1-21PS](#) [MDM-15SCBRM7-F222](#) [MDM96517-699](#) [MDM96521-744](#) [MDVB1-21SL1](#) [MIK0-1-7SH003](#) [MIKQ6-7SH076](#) [MIKQ7-7PH077](#) [MIKQ7-7PH11](#) [MIKQ7-7PH32](#) [MIKQ9-7PH003](#) [MJSV-28SL61](#) [MKJ4A1F14-55S](#) [8-135760-3](#)