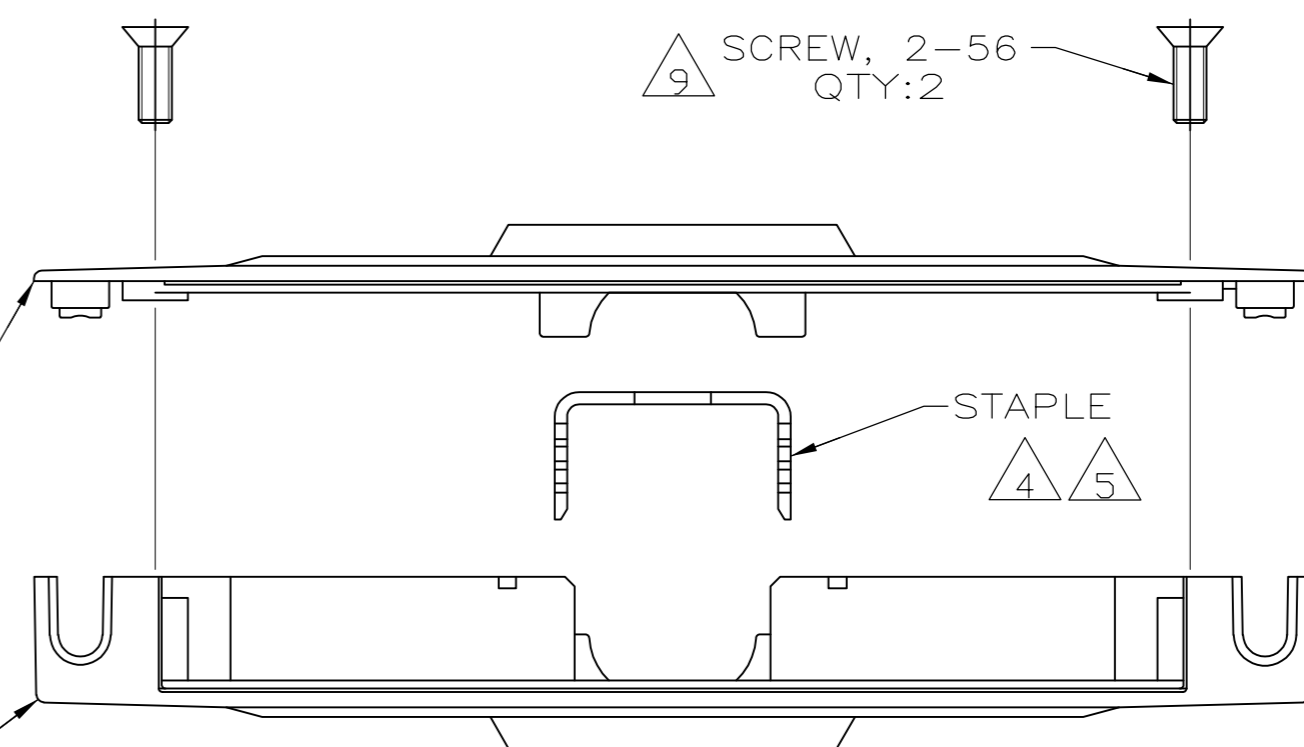
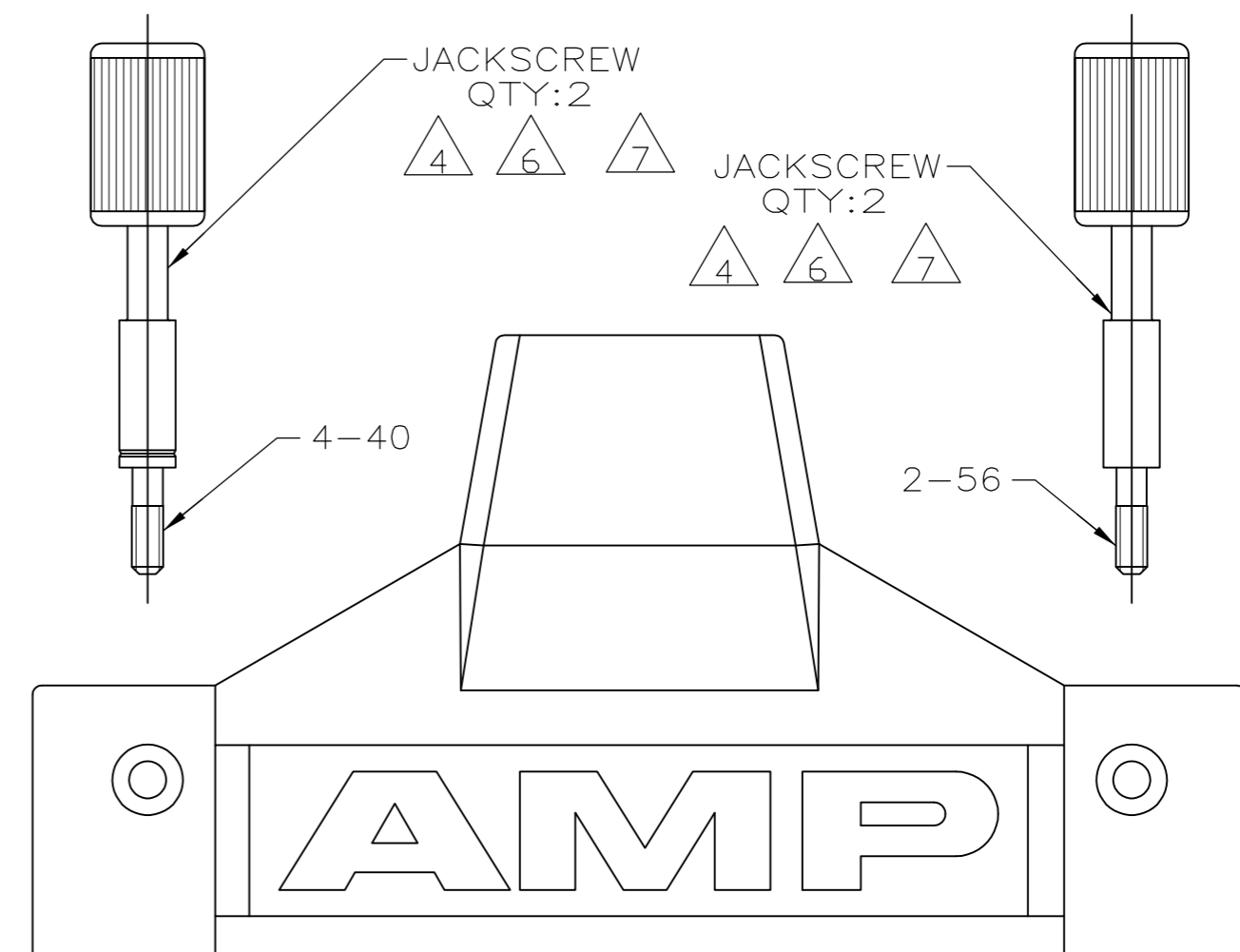
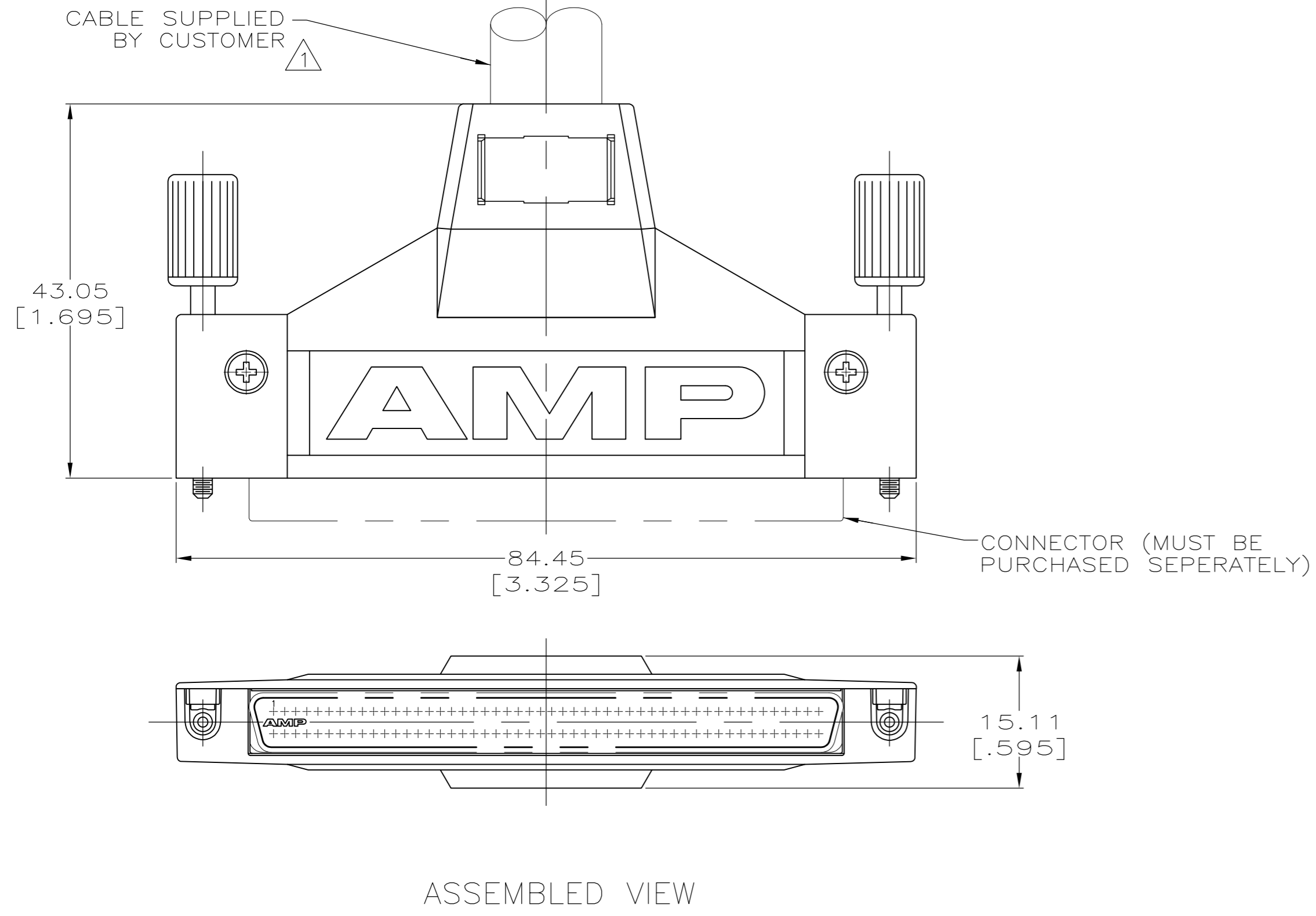


THIS DRAWING IS UNPUBLISHED. RELEASED FOR PUBLICATION  
 © COPYRIGHT - By - ALL RIGHTS RESERVED.

LOC		DIST		REVISIONS			
P	LTR	DESCRIPTION	DATE	DWN	APVD		
GP	00						
	R	REVISED PER ECO-11-012218	14JUL2011	CJV	SLB		



UPPER BACKSHELL

2 3

LOWER BACKSHELL

2 3

- 1 12.70 [.500] MAX CABLE DIA.
- 2 ZINC.
- 3 NICKEL PLATED.
- 4 STEEL.
- 5 BRIGHT TIN PLATED.
- 6 POLYPROPYLENE OR NYLON, UL94V-0 RATED, BLACK.
- 7 BLACK ZINC PLATED.
- 8 PARTS PACKAGED AS A UNIT KIT.
- 9 STAINLESS STEEL.

THIS DRAWING IS A CONTROLLED DOCUMENT.		DWN	G.PETERS	25AUG05
DIMENSIONS: INCHES		CHK	S.SHUEY	25AUG05
TOLERANCES UNLESS OTHERWISE SPECIFIED:		APVD	M.WALMSLEY	25AUG05
0 PLC	± -	PRODUCT SPEC		
1 PLC	± -	APPLICATION SPEC		
2 PLC	± 0.38 [.015]			
3 PLC	± -			
4 PLC	± -			
ANGLES	± -			
MATERIAL	FINISH	WEIGHT		
-	-	-		

4-40	5749081-2		
2-56	5749081-1		
JACKSCREW THREAD	PART NO.		
<b>TE</b> TE Connectivity			
NAME: INDIVIDUAL KIT, BACKSHELLS WITH MALE JACKSCREWS, 100 POSITION AMPLIMITE .050 SERIES			
SIZE	CAGE CODE	DRAWING NO	RESTRICTED TO
A2	00779	C=5749081	-
CUSTOMER DRAWING		SCALE	SHEET
		2:1	1 of 1
		REV	R

## X-ON Electronics

Largest Supplier of Electrical and Electronic Components

*Click to view similar products for [D-Sub Backshells](#) category:*

*Click to view products by [TE Connectivity](#) manufacturer:*

Other Similar products are found below :

[600X51137X](#) [600X54009X](#) [M85049/6-38N](#) [M85049/86-12N03](#) [M85049/90-13P03](#) [70.350.0636.4](#) [70.350.2435.1](#) [72.350.1035.2](#)  
[72.352.2435.1](#) [73.359.4035.3](#) [829472-1](#) [PCS-E20W](#) [970-015-040R011](#) [971-009-030R121](#) [971-009-040R011](#) [971-015-040R011](#) [DPH-B-003](#)  
[1437013-9](#) [1484402-8](#) [156-3025-EX](#) [16-500800](#) [165X02659X](#) [165X03329A](#) [165X03399A](#) [165X10259X](#) [165X11759X](#) [165X11889X](#)  
[165X11899X](#) [165X13019X](#) [165X13029X](#) [165X13169X](#) [165X13199X](#) [165X13239X](#) [165X13389X](#) [165X13489X](#) [165X14219X](#)  
[165X14429X](#) [165X14449X](#) [165X17409X](#) [165X17439X](#) [165X17569X](#) [165X17599X](#) [165X17609X](#) [165X17889X](#) [165X17979X](#) [L171373](#)  
[971-025-030R121](#) [300X10989X](#) [165X02609X](#) [165X02639X](#)