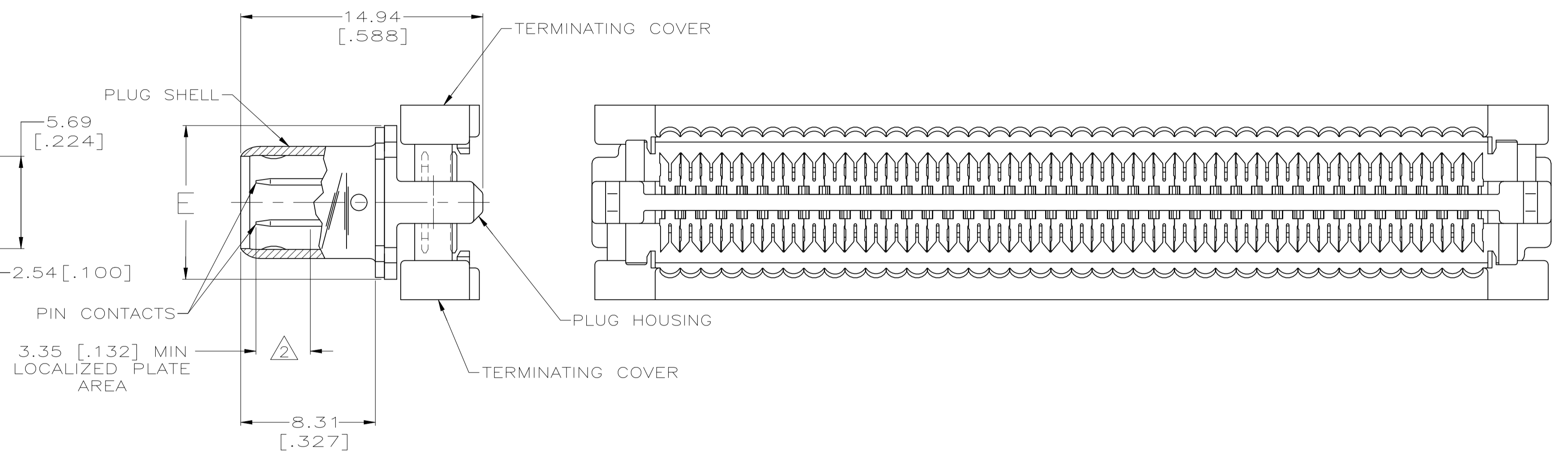
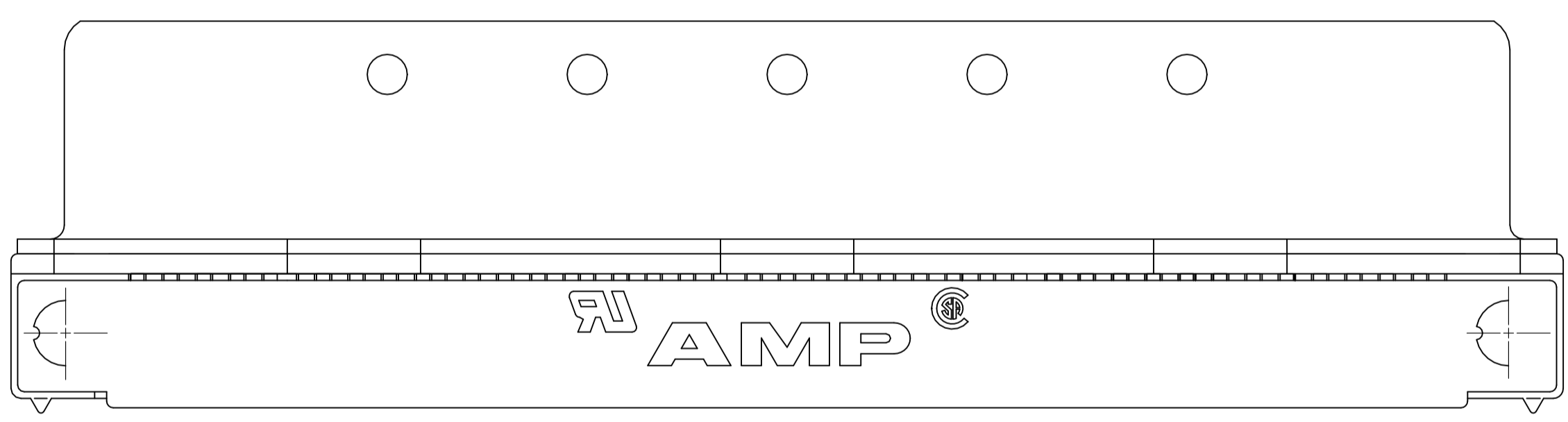
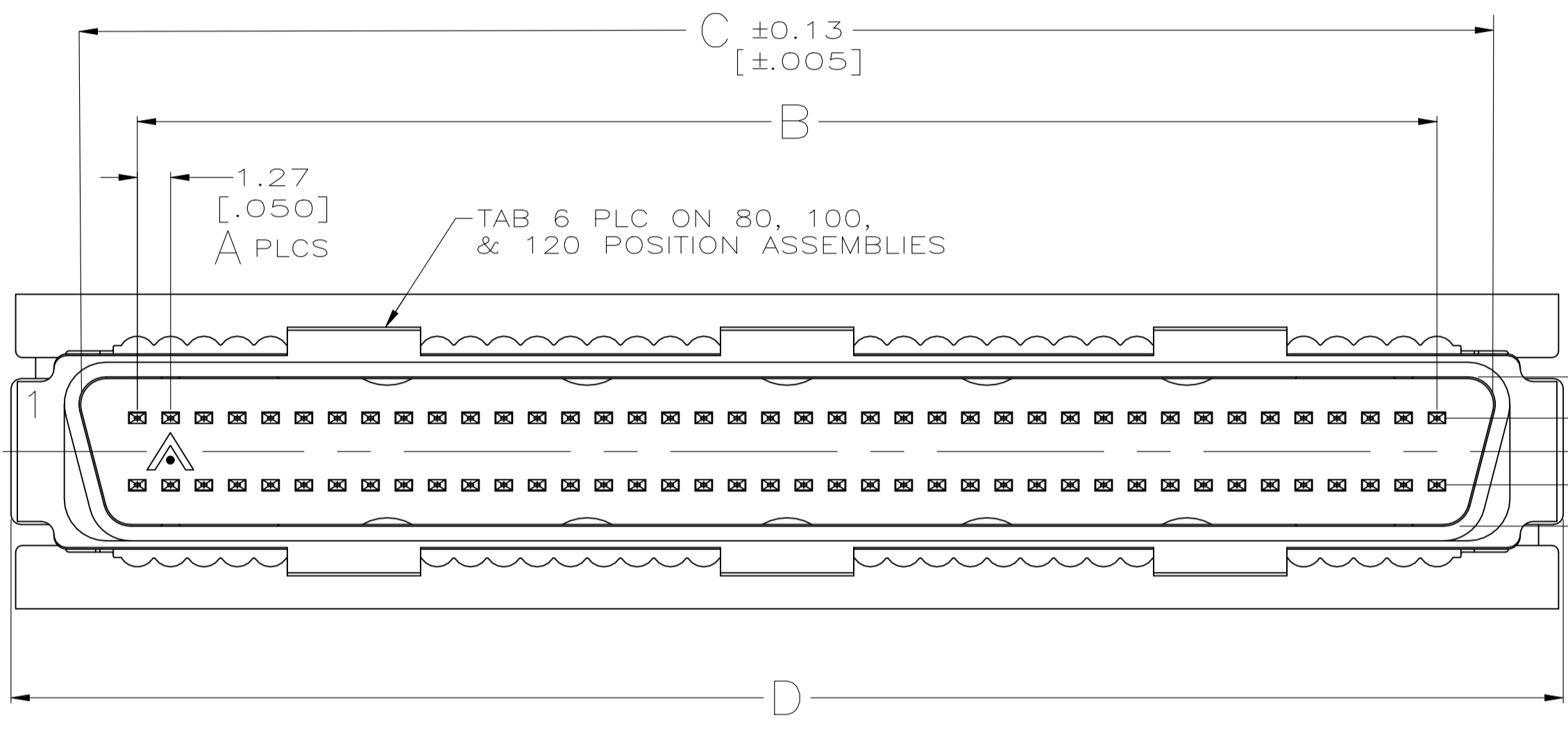


| REVISIONS | | | | | |
|-----------|-----|---------------------------|-----------|-----|------|
| P | LTR | DESCRIPTION | DATE | DRN | APVD |
| G | | REVISED PER ECO-21-001531 | 10FEB2021 | AK | SZ |



1 MATERIAL:
 PIN CONTACTS - PHOSPHOR BRONZE.
 PLUG SHELL - STEEL.
 PLUG HOUSING & TERMINATING COVERS - UL V-O RATED THERMOPLASTIC; COLOR: BLACK.

2 FINISH:
 PIN CONTACTS - EITHER 0.76µm [.000030] MIN GOLD PLATE OR GOLD FLASH OVER PALLADIUM NICKEL PLATE, 0.76µm [.000030] MIN TOTAL IN LOCALIZED PLATE AREA, 3.00µm [.000118] MIN TIN IN TERMINATION AREA, ALL OVER 1.27µm [.000050] MIN NICKEL.
 PLUG SHELL - 0.25µm [.000010] MIN TIN-NICKEL OVER 3.81µm [.000150] MIN NICKEL OVER 2.54µm [.000100] MIN COPPER.

3 RECOMMENDED WIRE: 28 AWG OR 30 AWG, SOLID OR 7 STRAND, PVC INSULATION WITH A 0.74-0.91 [.029-.036] INSULATION DIAMETER.

| | | | | | | | | |
|----------|--------|----------------|------------------|------------------|------------------|----|------------|-------------|
| OBSOLETE | 2 | 7.44 [.293] | 24.87 [.979] | 19.61 [.772] | 15.24 [.600] | 12 | 26 | 1-5749111-0 |
| | 2 | 9.47 [.373] | 84.56 [3.329] | 79.30 [3.122] | 74.93 [2.950] | 59 | 120 | 5749111-9 |
| | 2 | 9.47 [.373] | 71.86 [2.829] | 66.60 [2.622] | 62.23 [2.450] | 49 | 100 | 5749111-8 |
| | 2 | 9.47 [.373] | 59.16 [2.329] | 53.90 [2.122] | 49.53 [1.950] | 39 | 80 | 5749111-7 |
| | 2 | 7.44 [.293] | 51.54 [2.029] | 46.28 [1.822] | 41.91 [1.650] | 33 | 68 | 5749111-6 |
| | 2 | 7.44 [.293] | 40.11 [1.579] | 34.85 [1.372] | 30.48 [1.200] | 24 | 50 | 5749111-4 |
| | 2 | 7.44 [.293] | 33.76 [1.329] | 28.50 [1.122] | 24.13 [.950] | 19 | 40 | 5749111-3 |
| | 2 | 7.44 [.293] | 21.06 [.829] | 15.80 [.622] | 11.43 [.450] | 9 | 20 | 5749111-1 |
| | FINISH | E | D | C | B | A | NO OF POSN | PART NO |

THIS DRAWING IS A CONTROLLED DOCUMENT.

| | | | | |
|----------------------------|--|--------------------|------------------|--|
| DIMENSIONS: mm [INCHES] | TOLERANCES UNLESS OTHERWISE SPECIFIED: | APVD M. WALSLEY | DATE 02-23-05 | NAME PLUG ASSEMBLY, AMPLIMITE .050 Series |
| 0. PLC ± - | 1. PLC ± - | DRN J. GERACE | 02-23-05 | PRODUCT SPEC 108-1228 |
| 2. PLC ± 0.38 [015] | 3. PLC ± - | APPROVED | | APPLICATION SPEC 114-40029 |
| 4. PLC ± - | ANGLES ± - | DATE | | SIZE A1 |
| MATERIAL 1 | FINISH SEE TABLE | WEIGHT 0.000000 | SCALE 5:1 | RESTRICTED TO - |

CUSTOMER DRAWING

X-ON Electronics

Largest Supplier of Electrical and Electronic Components

Click to view similar products for [D-Sub Standard Connectors](#) category:

Click to view products by [TE Connectivity](#) manufacturer:

Other Similar products are found below :

[56F711-015](#) [012-9507-004](#) [LV242999-142T12](#) [015-0341-000](#) [015-0372-005](#) [015-0372-008](#) [015-8755-001](#) [020419-0104](#) [012-0467-000](#) [012-0515-000](#) [012-9507-034](#) [012-9507-114](#) [020745-0008](#) [609-25P](#) [M24308/2-23Z](#) [CT2-14S-2PCA34](#) [CT2-18-11PCAU](#) [CT6-10SL-3SC](#) [CT6-10SL-4SC](#) [CT6-14S-2SC](#) [CT6E14SA7SC](#) [M83513/01-FC](#) [M83723/76W24619 L/C](#) [M85049/48-3-2F](#) [6STD09PCM99B70X](#) [6STD09SCM99B30X](#) [6STD09SCT99S40X](#) [6STD15PCT99S40X](#) [6STD15SCM99B30X](#) [6STD15SCT99S40X](#) [6STF09PCM05B70X](#) [7-135760-9](#) [MC11E-10-6SN](#) [747552-3](#) [MD1-21PS](#) [MDM-15SCBRM7-F222](#) [MDM96517-699](#) [MDM96521-744](#) [MDVB1-21SL1](#) [MIK0-1-7SH003](#) [MIKQ6-7SH076](#) [MIKQ7-7PH077](#) [MIKQ7-7PH11](#) [MIKQ7-7PH32](#) [MJSV-28SL61](#) [MKJ4A1F14-55S](#) [8-135760-3](#) [8STD09PCM99B30X](#) [PG-KV/PV-16-GROM-SEALING](#) [GDA15P](#)