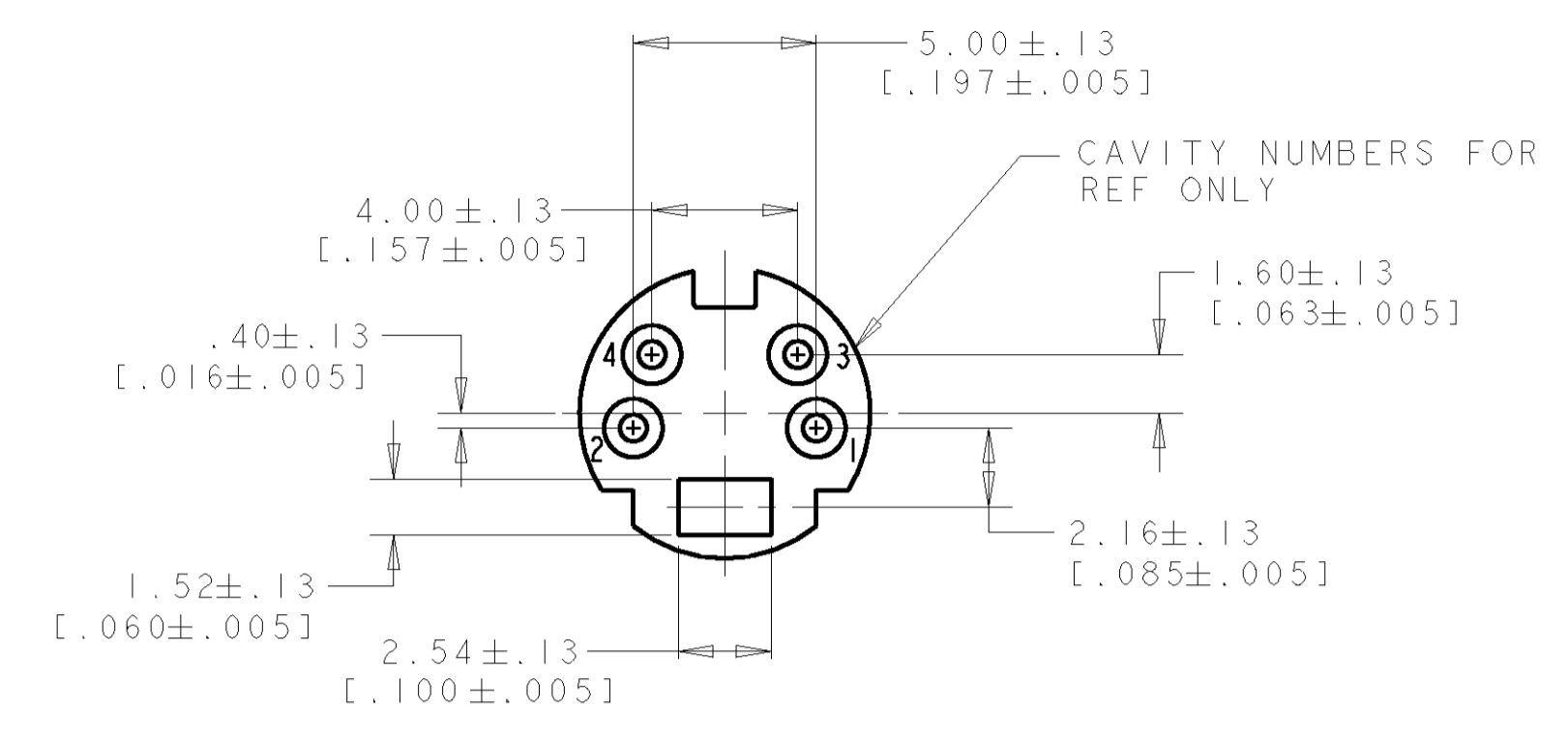
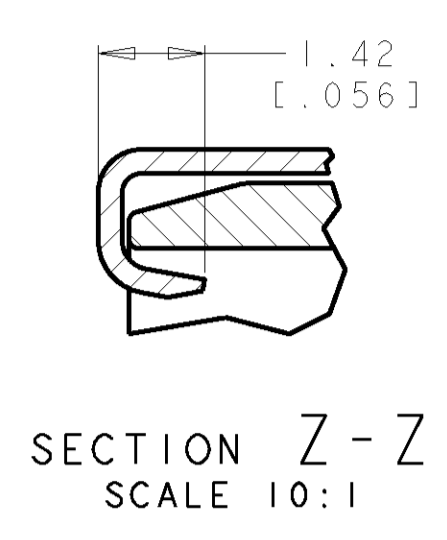
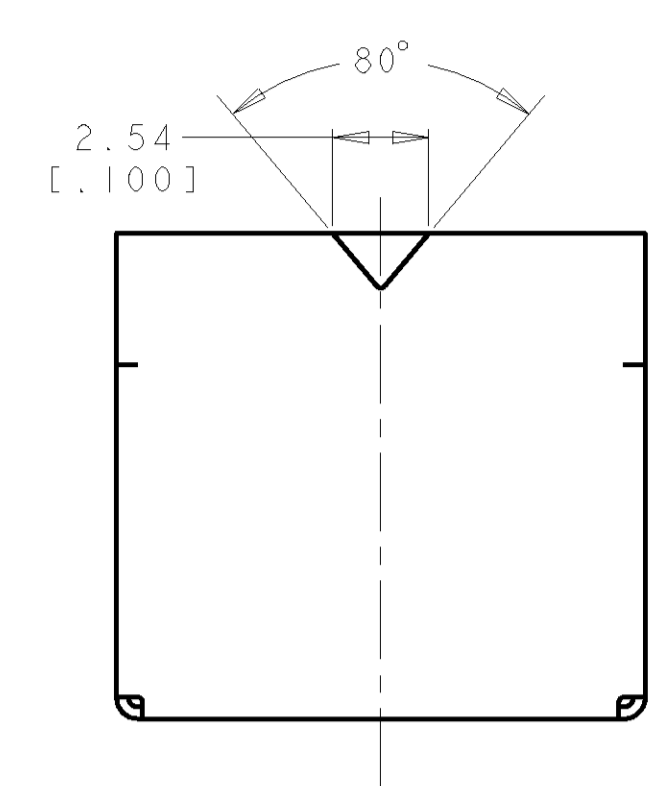
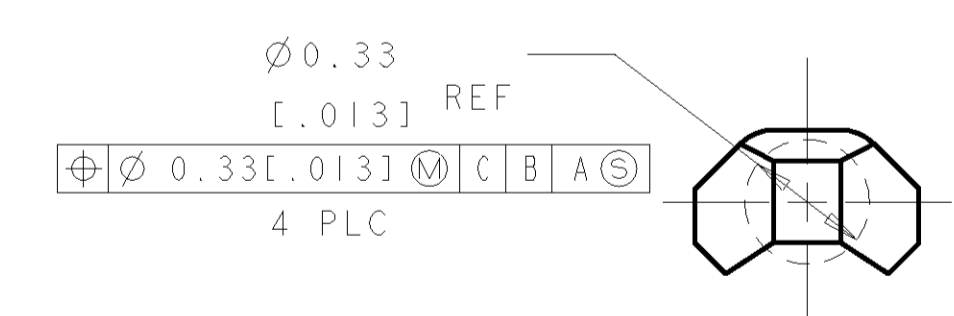
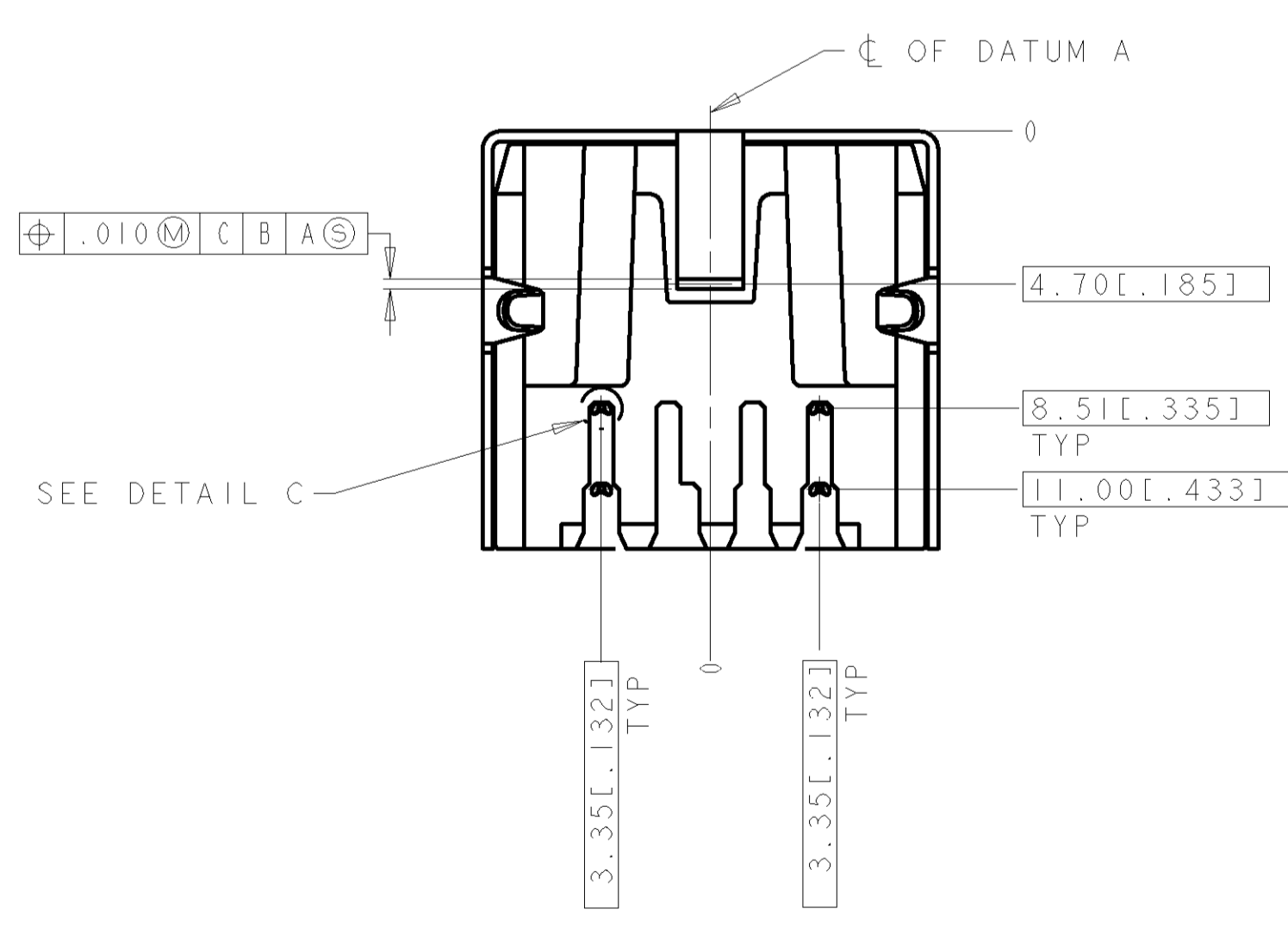
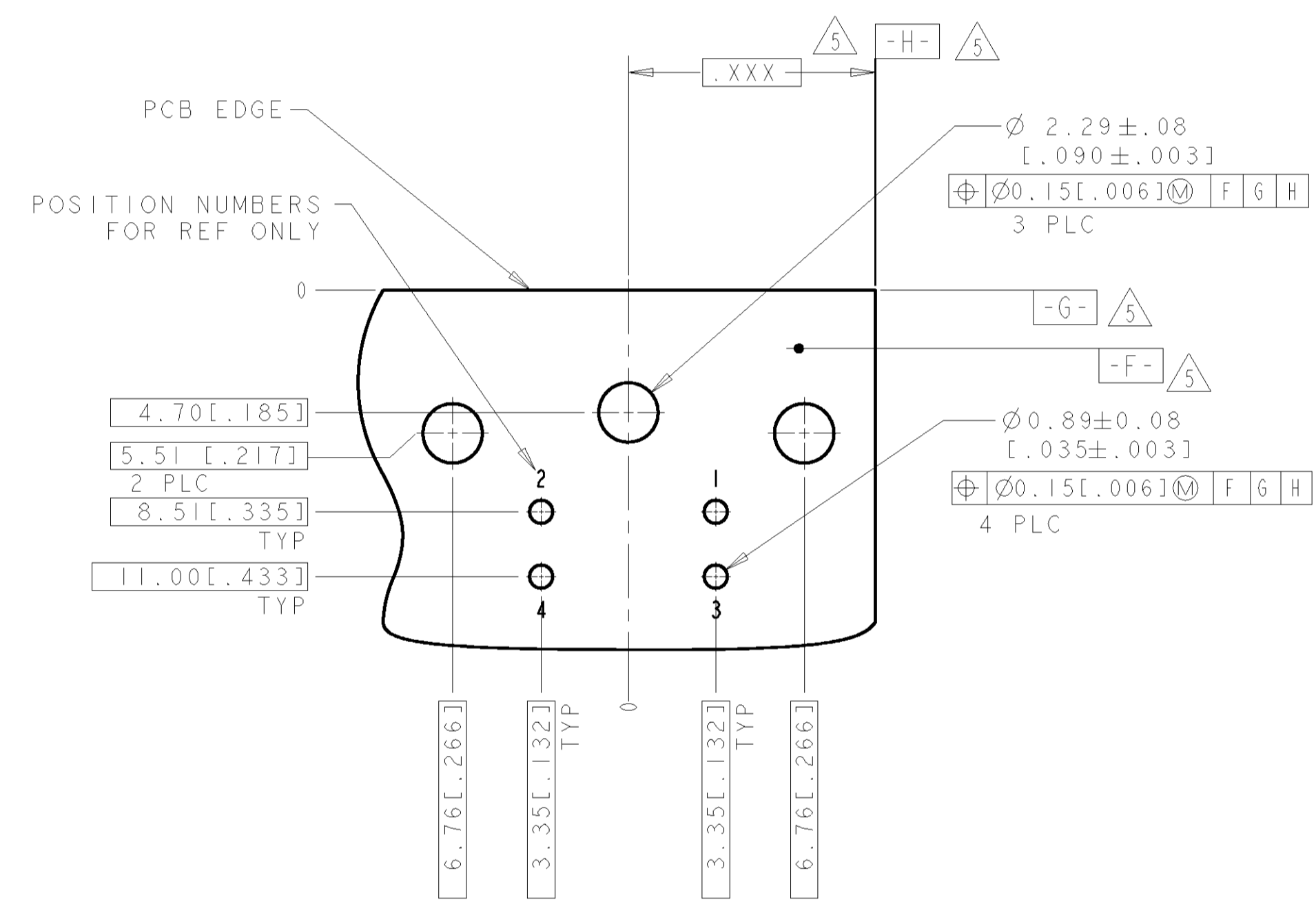
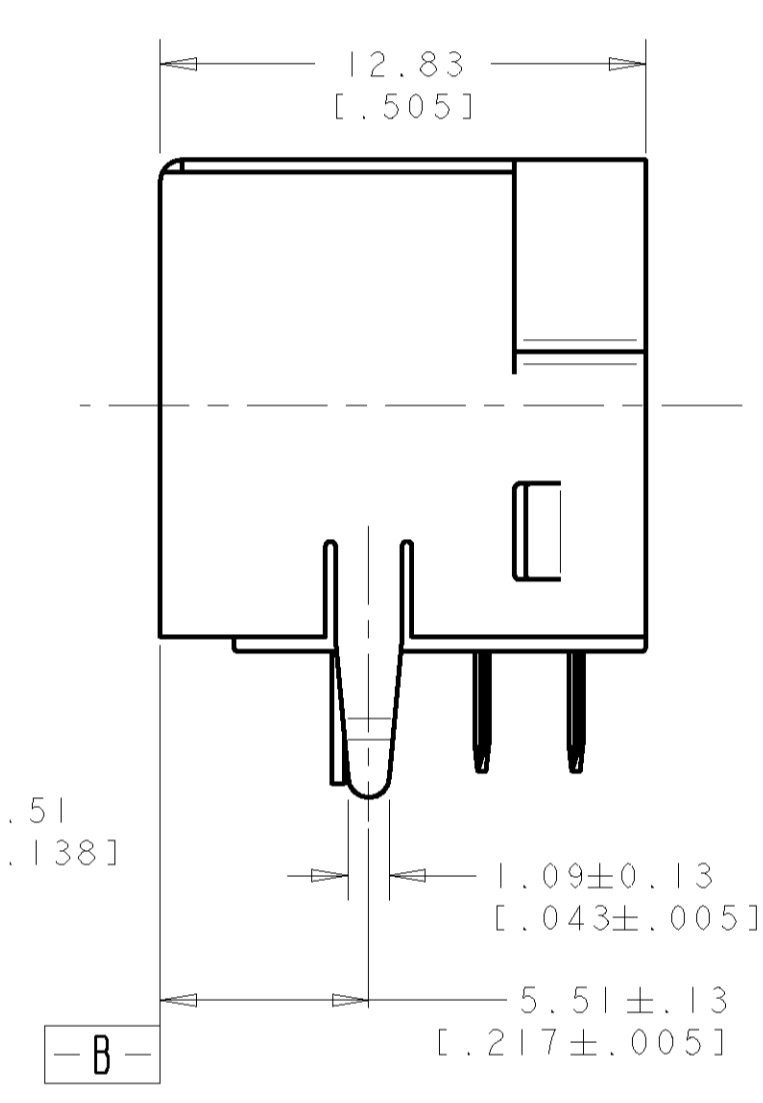
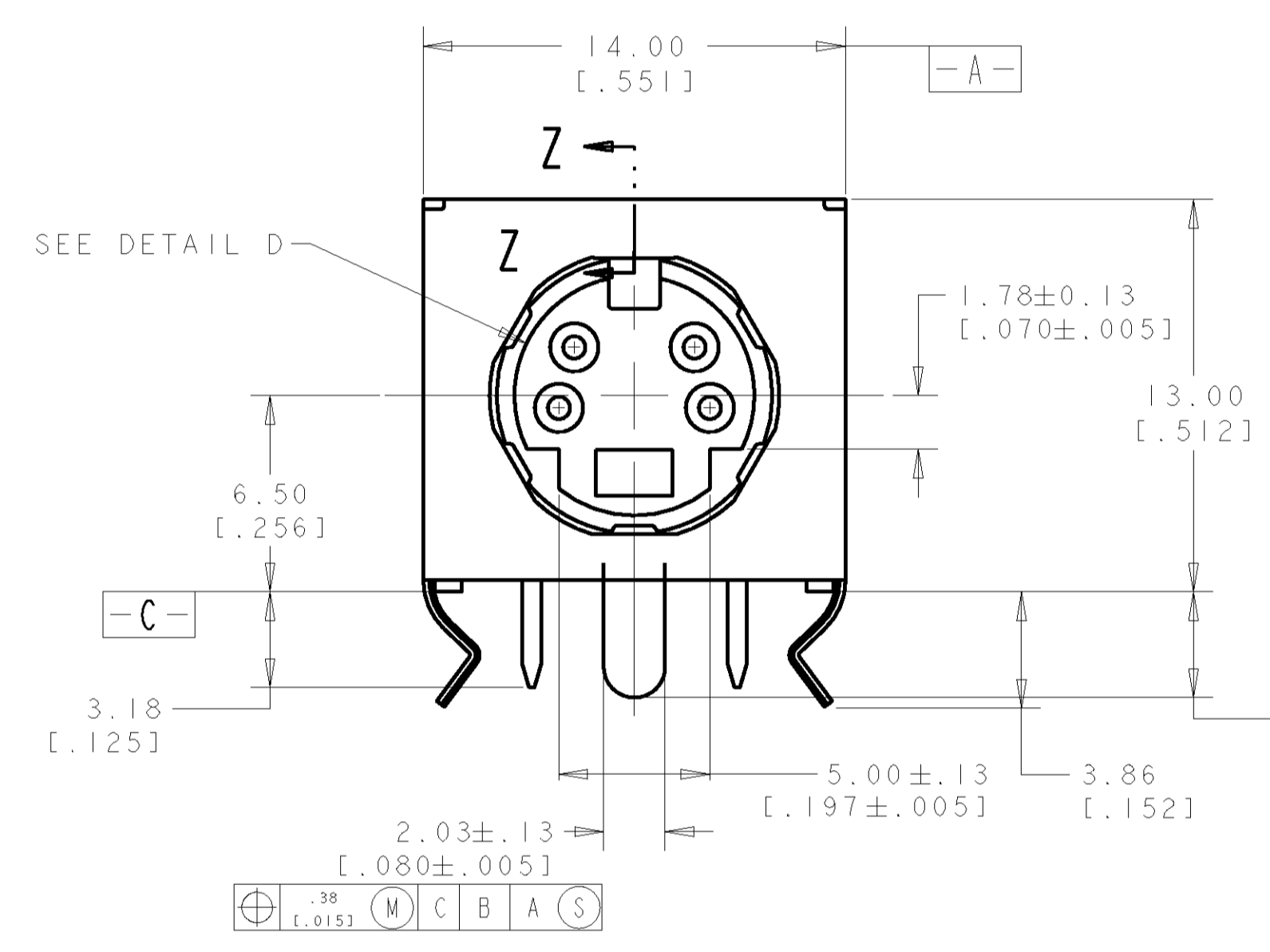


LOC	DIST	REVISIONS			
REV	DATE	DESCRIPTION	DATE	BY	APPD
0		NPR FPD0-0340-04	3JAN05	LWY	LSF



- ⚠ RECEPTACLE CONTACTS: COPPER ALLOY.
RECEPTACLE SHIELD: COPPER ALLOY.
HOUSING: THERMOPLASTIC, BLACK, 94V-0 RATED.
- ⚠ PLATING:
RECEPTACLE CONTACTS - GOLD FLASH PLATED ON MATING END, MATTE-TIN PLATED .0030 MIN [.000120 MIN] THICK ON SOLDER TAIL ALL OVER .0013 MIN [.000050 MIN] THICK NICKEL.
- ⚠ PLATING:
SHIELD: PRE-TIN PLATED
- 4. RECEPTACLE ASSEMBLY MATES WITH 4 PIN 9.00±.10 [.354±.004] DIAMETER PLUG.
- ⚠ DATUMS AND BASIC DIMENSION SUPPLIED BY CUSTOMER.



DETAIL C
SCALE 50:1

5749230-1
PART NO

<small>THIS DRAWING IS A CONTROLLED DOCUMENT FOR AMP INCORPORATED. ALL DIMENSIONS ARE TO BE TAKEN FROM THE CONTROLLED DOCUMENT. ORGANIZATION SHOULD BE CONTACTED FOR THE LATEST REVISION.</small>		DWN: WYLEE CBY: SF LEONG APD: SF LEONG	03JAN2005 Tyco Electronics Singapore Pte. Ltd.
DIMENSIONS: mm [INCHES]	TOLERANCES UNLESS OTHERWISE SPECIFIED: 0 PLC ± 1 PLC ± 2 PLC ± 3 PLC ± 4 PLC ± ANGLES ±0°30'	NAME: RECEPTACLE ASSY W/ HOLD DOWN, 4 POS, RIGHT ANGLE, MINIATURE CIRCULAR DIN PRODUCT SPEC: 108-1225 APPLICATION SPEC:	SIZE: A1 CAGE CODE: 00779 DRAWING NO: 5749230
MATERIAL	FINISH	WEIGHT	SCALE: 5:1 SHEET 1 OF 1 REV 0
CUSTOMER DRAWING			

X-ON Electronics

Largest Supplier of Electrical and Electronic Components

Click to view similar products for [Circular DIN Connectors](#) category:

Click to view products by [TE Connectivity](#) manufacturer:

Other Similar products are found below :

[60KD4M](#) [M83723/76W22326](#) [M83723/78R22327](#) [75-069228-21J](#) [7519021610P](#) [75-190224-28S](#) [7547401103P](#) [75-474014-07L](#) [88-559975-75P](#) [88-569735-06P](#) [88-569769-19P](#) [8R3006A18M0033](#) [PT02E1283P](#) [GTC00G-24-7S](#) [PT05A-14-5SX](#) [GTC030-20-27PW-LC](#) [GTC030A-20-33S](#) [1211290078](#) [1211810025](#) [1210503216](#) [1211290084](#) [1211500027](#) [ACS06AF-16-10P\(003\)](#) [D38999/40WD35PN](#) [D38999/44WD35BN](#) [D38999/44WH21AN](#) [D38999/44WH35AN](#) [D38999/44WJ35PN](#) [12DL6MX](#) [AFD50-14-04PW-6141](#) [AFD50-14-19S-6141](#) [AFD54-10-6PN-6117 L/T](#) [AFD57-22-12S-6141](#) [MS3102R18-1PZ](#) [MS3102R28-22PZ](#) [MS3112E20-24P](#) [MS3114F10-6P](#) [MS3116E8-4SW](#) [MS3122E14-19P](#) [171-2603](#) [17DN100-EX](#) [C015-50C006-100-1](#) [NYS322AG](#) [CA3100E18-1SBF80A176](#) [CA3100F18-10SB](#) [CA3100F18-1SB](#) [CA3101E18-10SBF80](#) [CA3101E18-12SB](#) [CA3102E12S-3P](#) [CA3102E14S-2P](#)