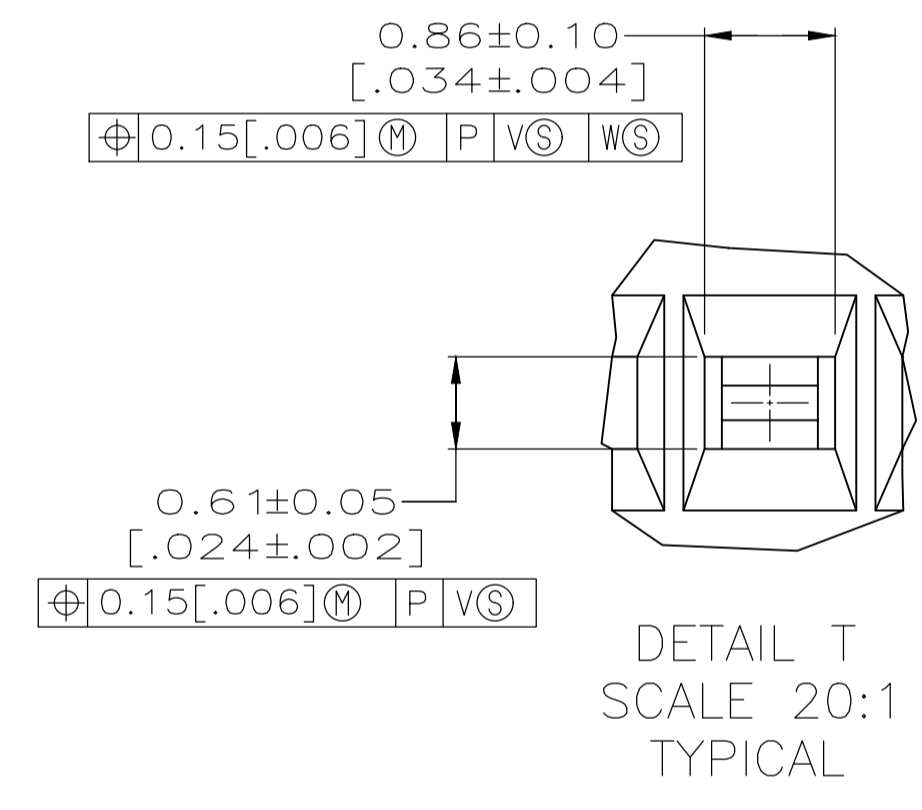
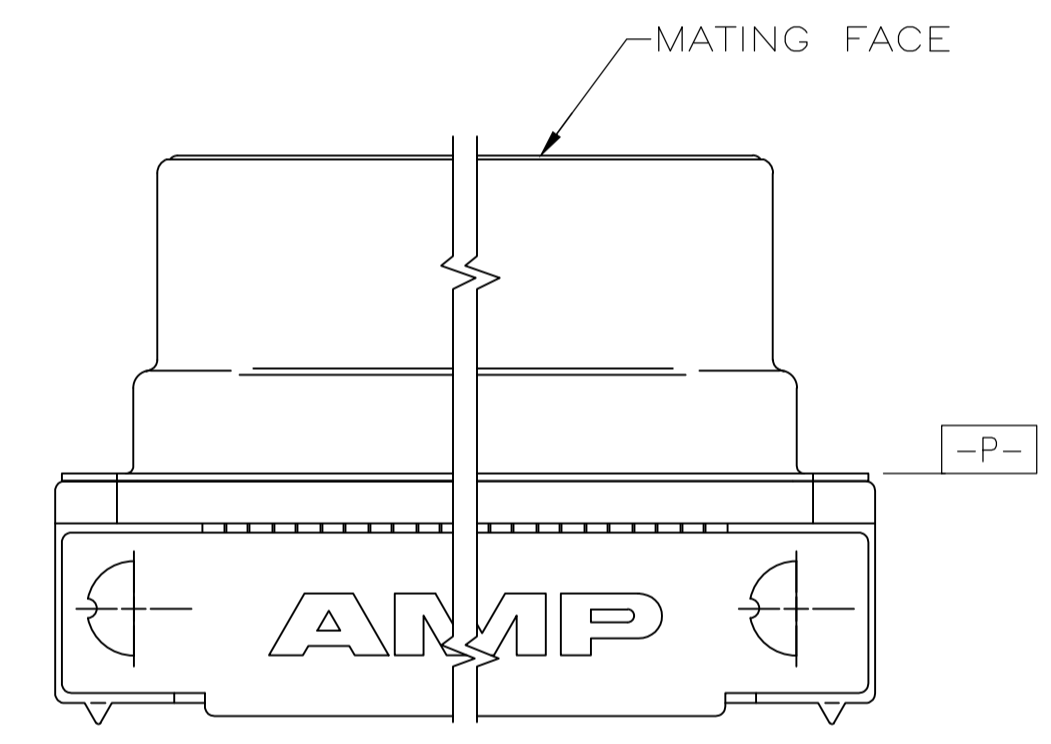
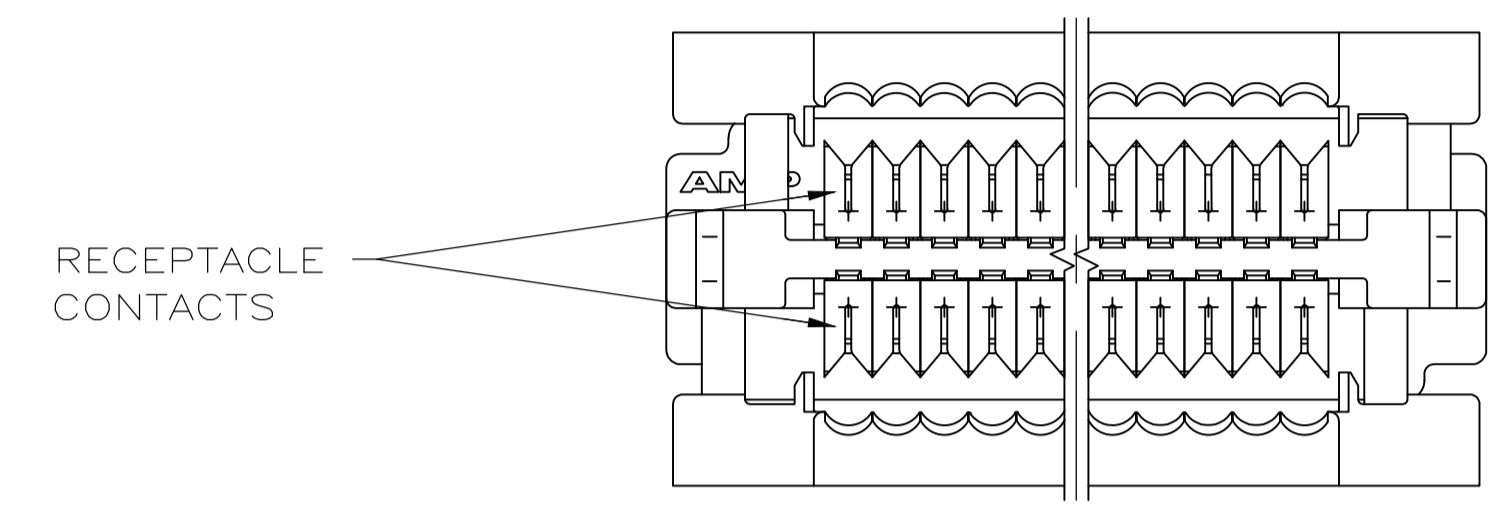
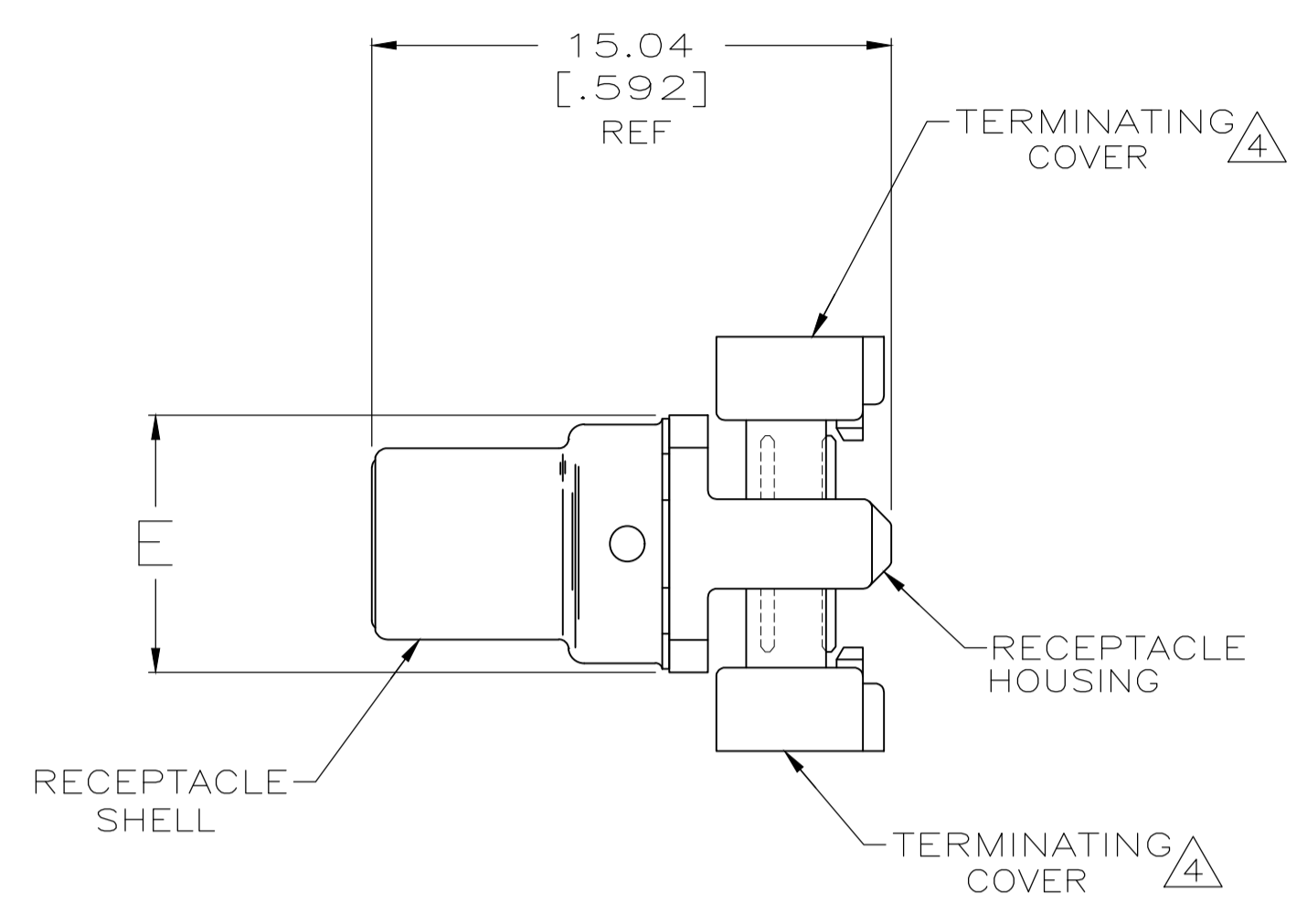
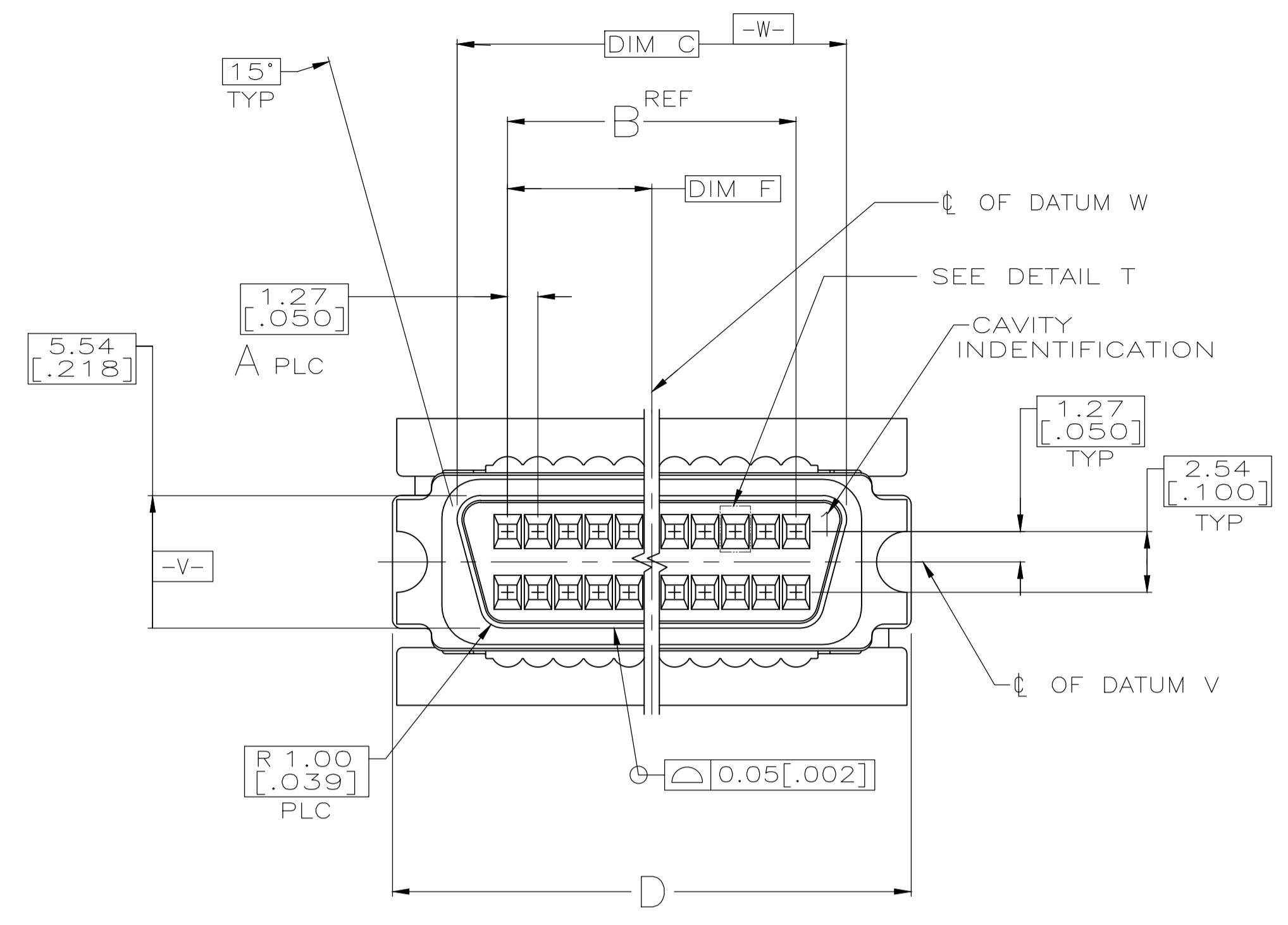


REVISIONS					
P	LTR	DESCRIPTION	DATE	DNW	APVD
E		REVISED PER ECO-20-011341	13AUG2020	AK	JW



- 1 MATERIAL:
RECEPTACLE CONTACTS- PHOSPHOR BRONZE
RECEPTACLE SHELL- STEEL
RECEPTACLE HOUSING AND TERMINATING COVERS- UL V-0 RATED THERMOPLASTIC, COLOR: BLACK.
- 2 FINISH:
RECEPTACLE CONTACTS - EITHER 0.76µm [.000030] MINIMUM GOLD PLATE OR GOLD FLASH OVER PALLADIUM NICKEL PLATE, 0.76µm [.000030] MINIMUM TOTAL IN CONTACT AREA, 1.27µm [.000050] MINIMUM BRIGHT TIN PLATE IN TERMINATION AREA, ALL OVER 1.27µm [.000050] MINIMUM NICKEL.
RECEPTACLE SHELL- 5.08µm [.000200] MINIMUM BRIGHT NICKEL PLATE OVER 1.27µm [.000050] MINIMUM COPPER.
- 3. RECOMMENDED WIRE: 28 AWG OR 30 AWG, SOLID OR 7 STRANDED, PVC INSULATION WITH A 0.74-0.91 [.029-.036] INSULATION DIA.
- 4 TERMINATING COVERS ARE PACKAGED SEPERATELY.

31.12	9.47	71.86	66.45	62.23	49	100	5749699-8
[1.225]	[.373]	[2.829]	[2.616]	[2.450]			
20.96	7.44	51.54	46.13	41.91	33	68	5749699-7
[.825]	[.293]	[2.029]	[1.816]	[1.650]			
15.24	7.44	40.11	34.70	30.48	24	50	5749699-5
[.600]	[.293]	[1.579]	[1.366]	[1.200]			
12.06	7.44	33.76	28.35	24.13	19	40	5749699-4
[.475]	[.293]	[1.329]	[1.116]	[.950]			
F	E	D	C	B	A	NO OF POSN	PART NO

**COPYRIGHT 2005
TE CONNECTIVITY CORP
ALL RIGHTS RESERVED**

THIS DRAWING IS A CONTROLLED DOCUMENT.

DIMENSIONS: mm [INCHES]	TOLERANCES UNLESS OTHERWISE SPECIFIED:	DIN G. ATTADIA - 02-23-05 S. SHUEY - 02-23-05	APVD M. WALMSLEY - 02-23-05	NAME
0. PLC ± -	1. PLC ± -	2. PLC ± 0.13 [.005]	3. PLC ± -	4. PLC ± -
MATERIAL		FINISH		PRODUCT SPEC
1		2		108-1228
CUSTOMER DRAWING		SCALE 4:1		APPLICATION SPEC
WEIGHT		SIZE		114-40029
RESTRICTED TO		CAGE CODE		00779
SCALE 4:1		DRAWING NO		5749699
SHEET 1 OF 1		REV E		

STE TE Connectivity
KIT, RECEPTACLE CABLE CONNECTOR ASSEMBLY, AMPLIMITE .050 Series

X-ON Electronics

Largest Supplier of Electrical and Electronic Components

Click to view similar products for [I/O Connectors](#) category:

Click to view products by [TE Connectivity](#) manufacturer:

Other Similar products are found below :

[571763P](#) [58098-0628](#) [72.250.1628.2](#) [72.250.2428.2](#) [74720-0505](#) [76.350.0729.0](#) [76871-1403](#) [FCN-244F080-G/1](#) [FCN-260A9920](#) [PCR-E36PM](#) [PCS-XE26MA+](#) [G38A71314B](#) [1571250010](#) [157-22500-3](#) [MS3471L14-19P L/C](#) [172501-4002](#) [172501-6002](#) [FCN-260C008-A/L0](#) [FCN-260C024-AL0](#) [FCN-261Z008](#) [2000314-1](#) [200331-1](#) [PCR-E36FC+](#) [PCS-E28FS+](#) [PCS-XE26SLFD+](#) [PCS-XE26SLFDT+](#) [G730VID08BDC24](#) [U90B2054081210](#) [38113800006](#) [DP3AR020WQ1R200](#) [Z4.102.0680.0](#) [500-1040](#) [500-1052](#) [500-1054](#) [ZP-4008-66L](#) [0709821002](#) [DX40-20P\(55\)](#) [5554841-1](#) [MS3474W18-8P-LC*](#) [U90B3054061110](#) [U65-E04-4020](#) [ZPF000000000097891](#) [747360449](#) [10099439-003C-TRLF](#) [10137239-0021LF](#) [E9320-001-01](#) [10137239-0011LF](#) [70289-001LF](#) [70.060.1028.0](#) [109029-ZZ](#)