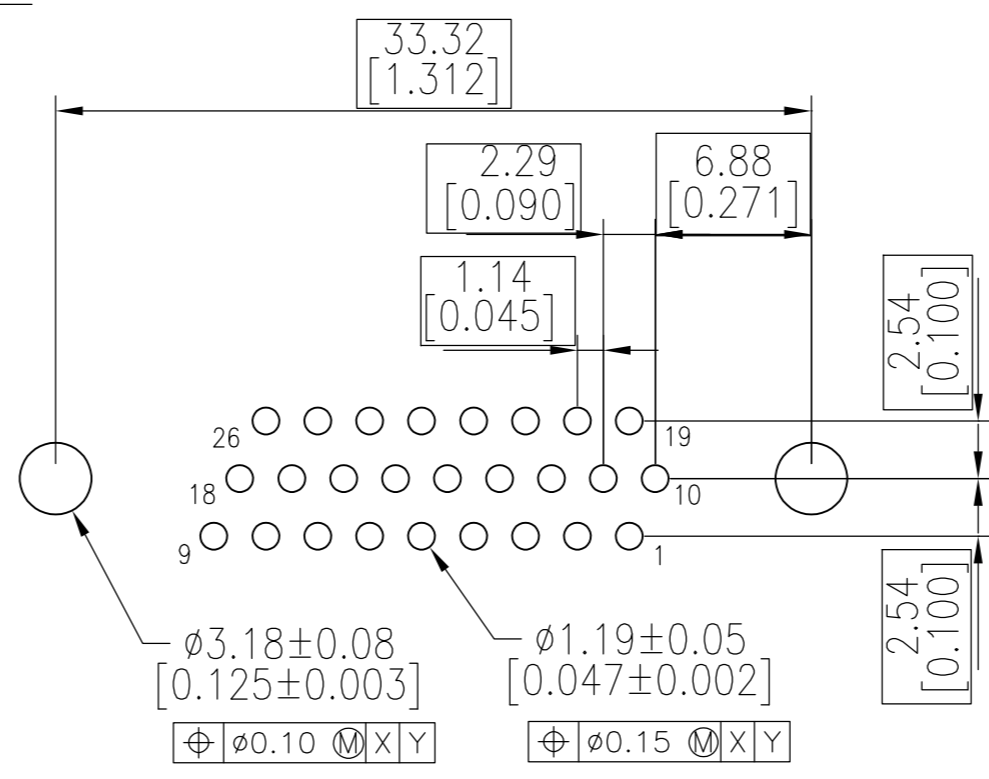
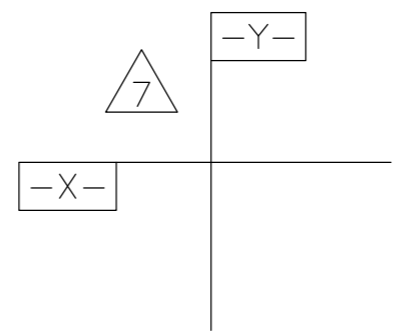
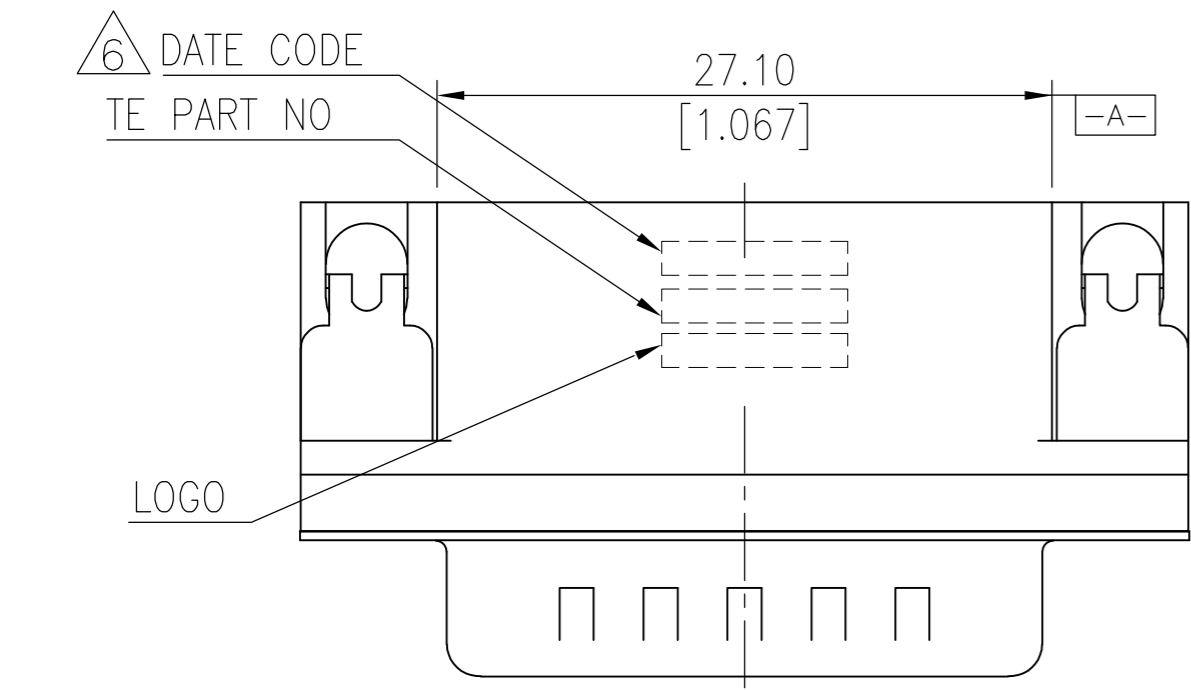
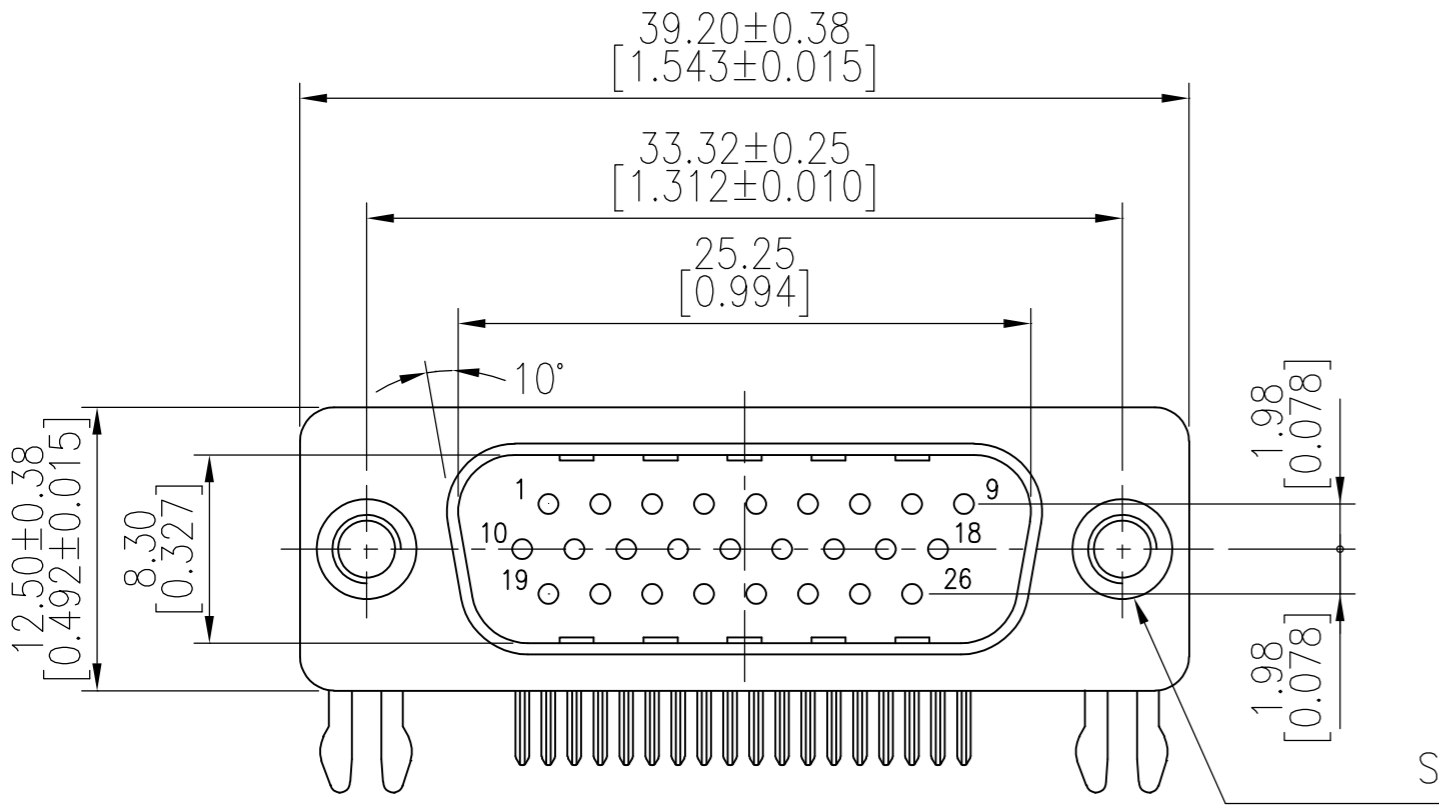


THIS DRAWING IS UNPUBLISHED. RELEASED FOR PUBLICATION
 © COPYRIGHT - By - ALL RIGHTS RESERVED.

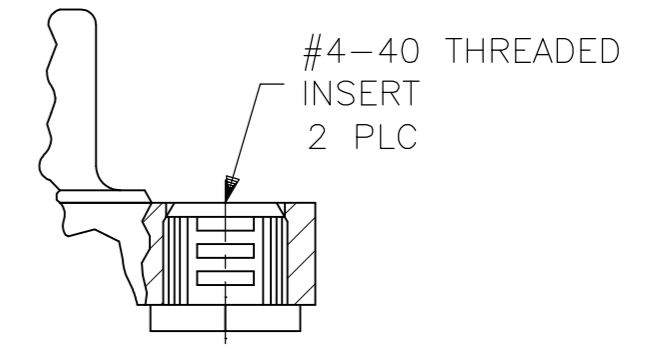
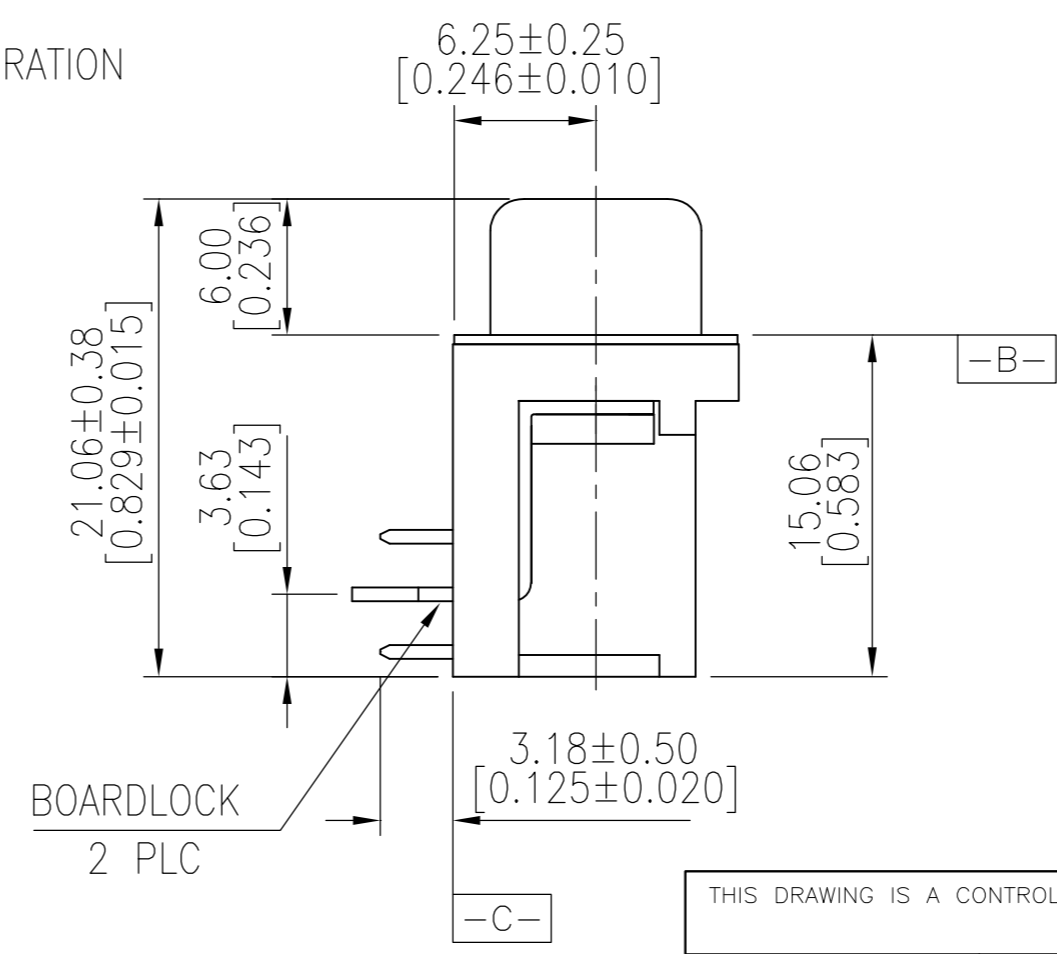
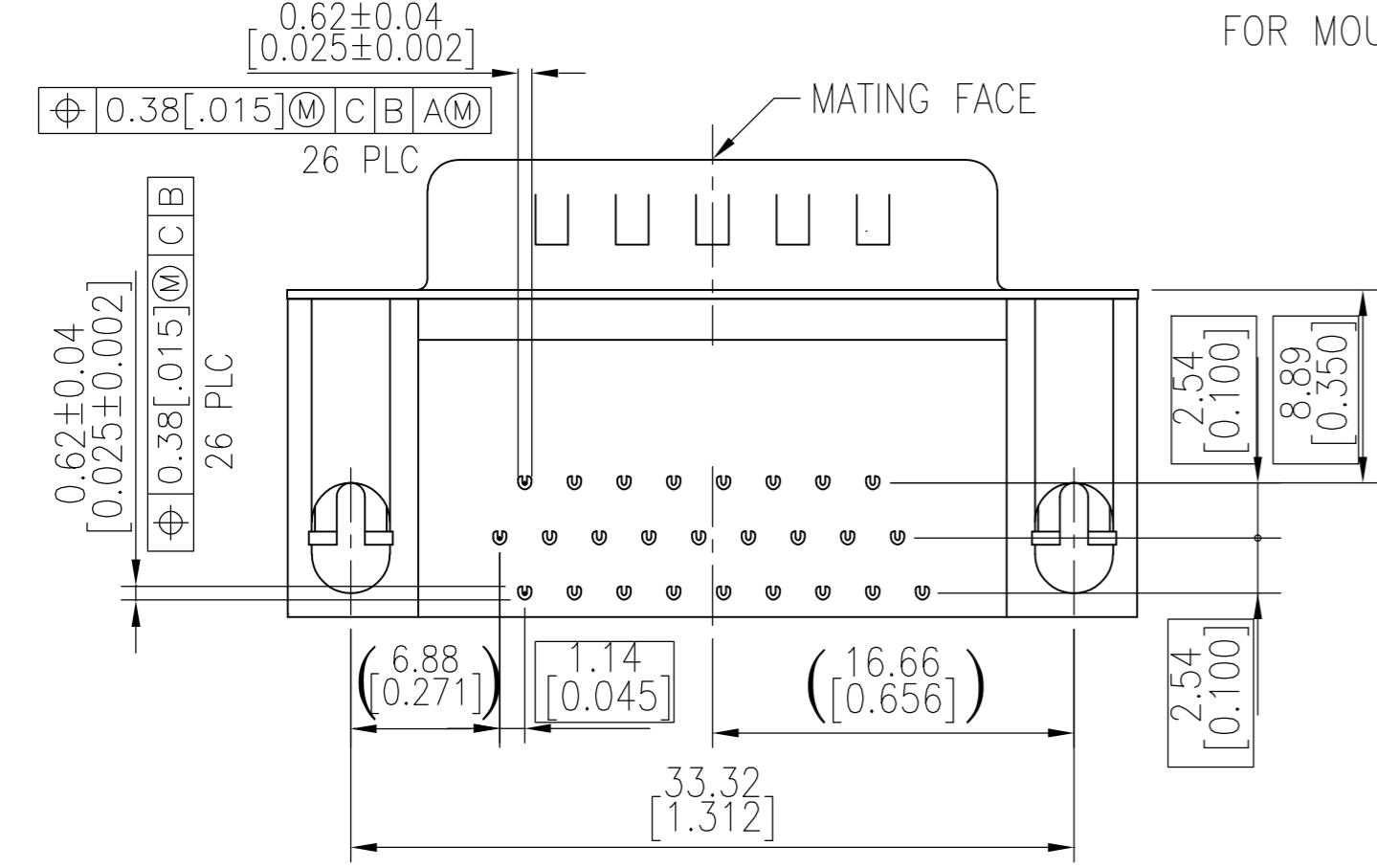
LOC		DIST		REVISIONS			
P	LTR	DESCRIPTION	DATE	DWN	APVD		
C		REVISED PER ECO-17-013750	21FEB2018	AP	DG		



RECOMMENDED PCB LAYOUT



SEE TABLE FOR MOUNTING CONFIGURATION



DETAIL A

- HOUSING: PBT, BLACK, UL94V-0.
 - CONTACT: BRASS, GOLD PLATE IN THE MATING AREA (SEE TABLE), 120u" MINIMUM TIN PLATE ON THE SOLDER-TAIL BOTH OVER 50u" MINIMUM NICKEL UNDERPLATE.
 - SHELL: STEEL, NICKEL PLATE.
 - BOARDLOCK: BRASS, 100u" MINIMUM TIN PLATE
 - THREADED INSERT: BRASS, NICKEL PLATE
- △ FOUR DIGIT DATE CODE IN THIS FORMAT.
- YEAR 01 45 MANUFACTURING WEEK
- △ DATUMS -X- & -Y- TO BE ESTABLISHED BY CUSTOMER.

REVISION	DESCRIPTION	DATE	DWN	APVD
3	OBsolete TRAY			
2	OBsolete TRAY			
1	OBsolete TRAY			

SUPERSEDED BY 2311776-1

PACKAGING	MOUNTING FLANGE CONFIG	CONTACT MATING AREA FINISH	PART NUMBER
			5749769-3
			5749769-2
			5749769-1

THIS DRAWING IS A CONTROLLED DOCUMENT.

DWN	R. RICHARDSON	22APR2005
CHK	S. BOLASH	22APR2005
APVD	M. WALMSLEY	22APR2005

TE Connectivity

PLUG ASSEMBLY, RIGHT ANGLE, 26 POSITION, HD-22, AMPLIMITE

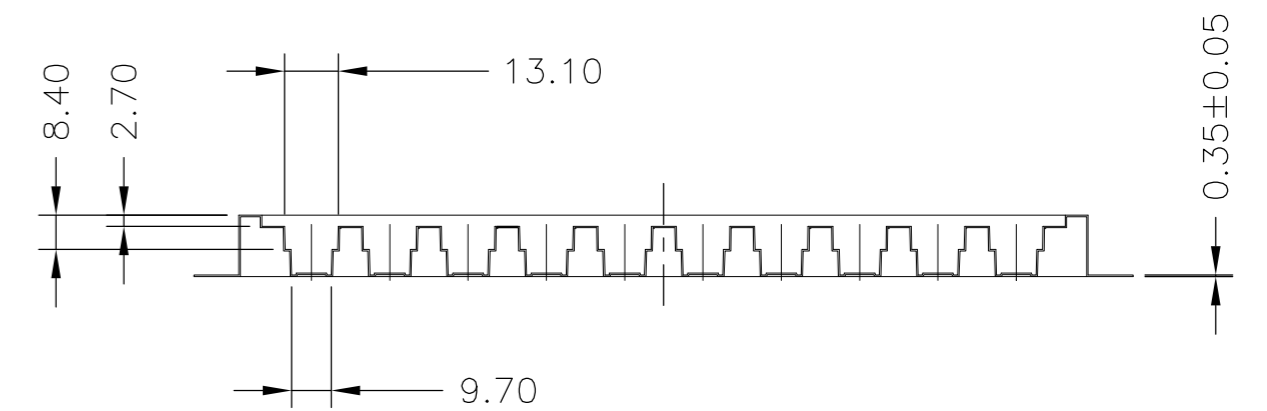
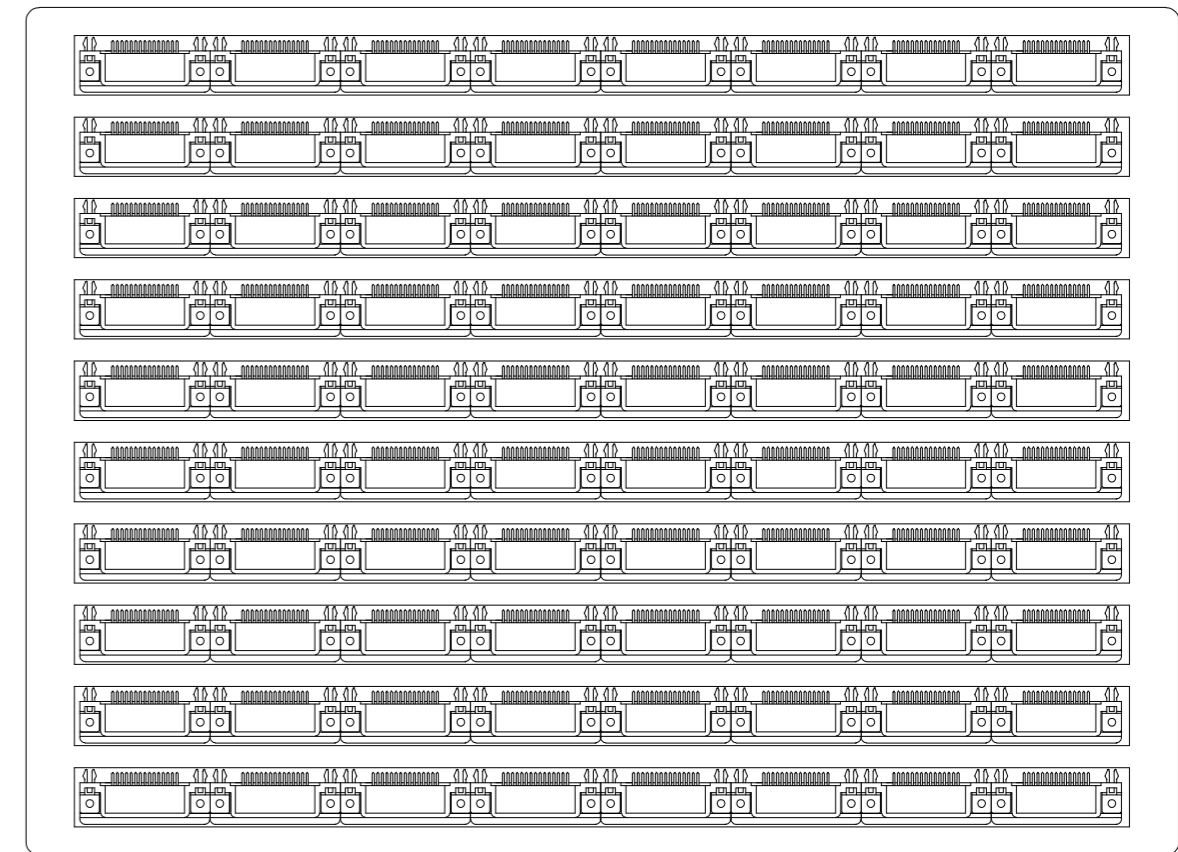
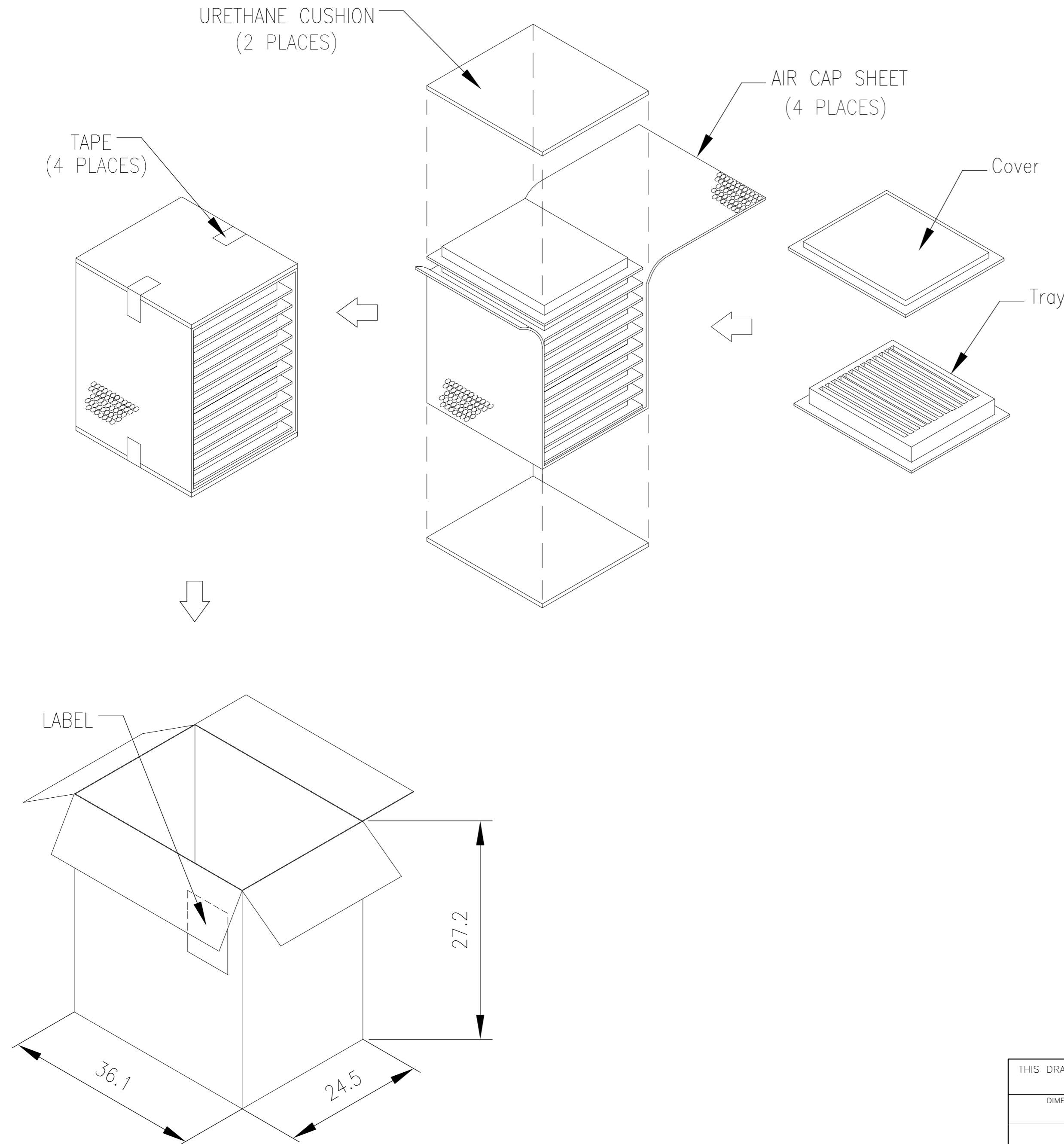
SIZE	A2	CAGE CODE	00779	DRAWING NO	C=5749769	RESTRICTED TO	-
WEIGHT	GRAMS	SCALE	-	SHEET	1 of 2	REV	C

CUSTOMER DRAWING

THIS DRAWING IS UNPUBLISHED. RELEASED FOR PUBLICATION
 © COPYRIGHT - By - ALL RIGHTS RESERVED.

LOC		DIST		REVISIONS			
P	LTR	DESCRIPTION	DATE	DWN	APVD		
-	-	SEE SHEET 1	-	-	-		

- NOTES:
- MATERIAL:
 - 1.1 TRAY: PVC
 - 1.2 SHIPPING CARTON: CORRUGATED FIBERBOARD
 - DIMENSION:
 - 2.1 TRAY: L=32.0X23.0X1.89 CM
 - 2.2 SHIPPING CARTON: L=36.1X24.5X27.2 CM
 - QUANTITY:
 - 3.1 PRIMARY PACKING: 80 PCS/TRAY
 - 3.2 SECONDARY PACKING: 10 TRAY/CARTON(800PCS)
 - WEIGHT:
 - 4.1 NET WEIGHT: 9.54 Kg
 - 4.2 GROSS WEIGHT: 11.54 Kg



THIS DRAWING IS A CONTROLLED DOCUMENT.		DWN R. RICHARDSON 22APR2005																
DIMENSIONS: mm		CHK S. BOLASH 22APR2005																
TOLERANCES UNLESS OTHERWISE SPECIFIED:		APVD M WALMSLEY 22APR2005	NAME PLUG ASSEMBLY, RIGHT ANGLE, 26 POSITION, HD-22, AMPLIMITE															
<table border="1"> <tr><td>0 PLC</td><td>± -</td></tr> <tr><td>1 PLC</td><td>± 0.30</td></tr> <tr><td>2 PLC</td><td>± 0.20</td></tr> <tr><td>3 PLC</td><td>± 0.10</td></tr> <tr><td>4 PLC</td><td>± -</td></tr> <tr><td>ANGLES</td><td>± 2°</td></tr> </table>		0 PLC	± -	1 PLC	± 0.30	2 PLC	± 0.20	3 PLC	± 0.10	4 PLC	± -	ANGLES	± 2°	PRODUCT SPEC	SIZE	CAGE CODE	DRAWING NO	RESTRICTED TO
0 PLC	± -																	
1 PLC	± 0.30																	
2 PLC	± 0.20																	
3 PLC	± 0.10																	
4 PLC	± -																	
ANGLES	± 2°																	
MATERIAL SEE NOTE		APPLICATION SPEC	A2	00779	C=5749769	-												
FINISH SEE NOTE		WEIGHT - GRAMS	SCALE		SHEET	REV												
		CUSTOMER DRAWING	-		2 of 2	C												

X-ON Electronics

Largest Supplier of Electrical and Electronic Components

Click to view similar products for [D-Sub High Density Connectors](#) category:

Click to view products by [TE Connectivity](#) manufacturer:

Other Similar products are found below :

[97-3250-11](#) [163A16809X](#) [163A17089X](#) [164A17199X](#) [164C18629X](#) [242A25680X](#) [L717HDB44POL2R210](#) [L717HDEH15POL2](#)
[L777HDE15P](#) [L77HDE15SC309](#) [163A16759X](#) [163A16839X](#) [163A16989X](#) [163A17079X](#) [164A17329X](#) [164A18219X](#) [241A16440X](#)
[241A16550X](#) [241A16680X](#) [241A20810X](#) [241A25740X](#) [CT25-44P](#) [MDBE15PE766](#) [L177HDE15SOL2RM23](#) [L177HRC62SVFM](#)
[L177HRCG62S](#) [L717HDEG15POL2RM5](#) [L77HDA26SVF](#) [L77HDE15SD1CO](#) [L77HDEH15SOL2RM832](#) [443895-3](#) [106698-1](#) [280-012K2C](#)
[L177HRB44S](#) [164A17039X](#) [09562004701510](#) [164A17969X](#) [L777HRC62P](#) [241A17960X](#) [164A18269X](#) [L777HDEG15P](#) [280-](#)
[018P3S25MEGN](#) [206504-2](#) [40-9515HDSP](#) [2057140-1](#) [C115370-6002](#) [DFMA104SNMBFR172FR022](#) [HDC9F200E2S](#)
[L717HDAG26POL2RM8](#) [241A28180X](#)