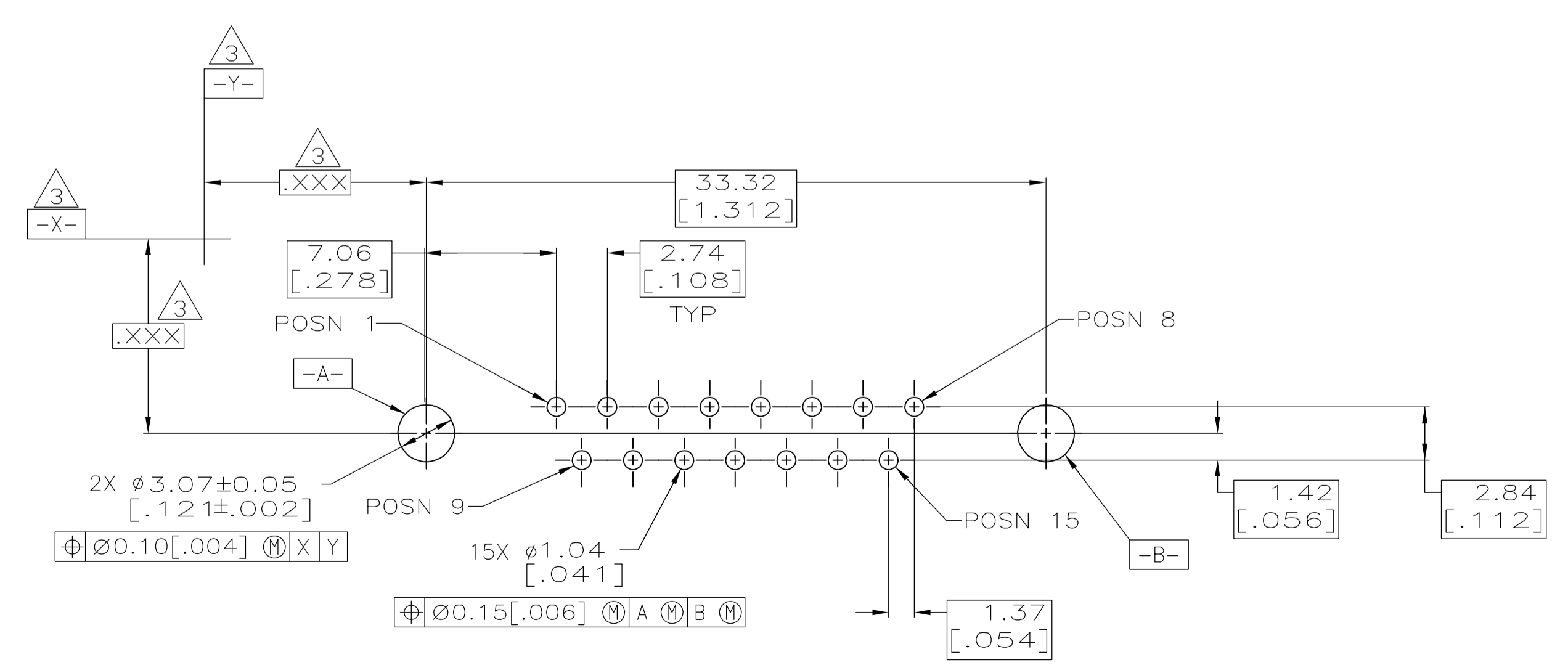
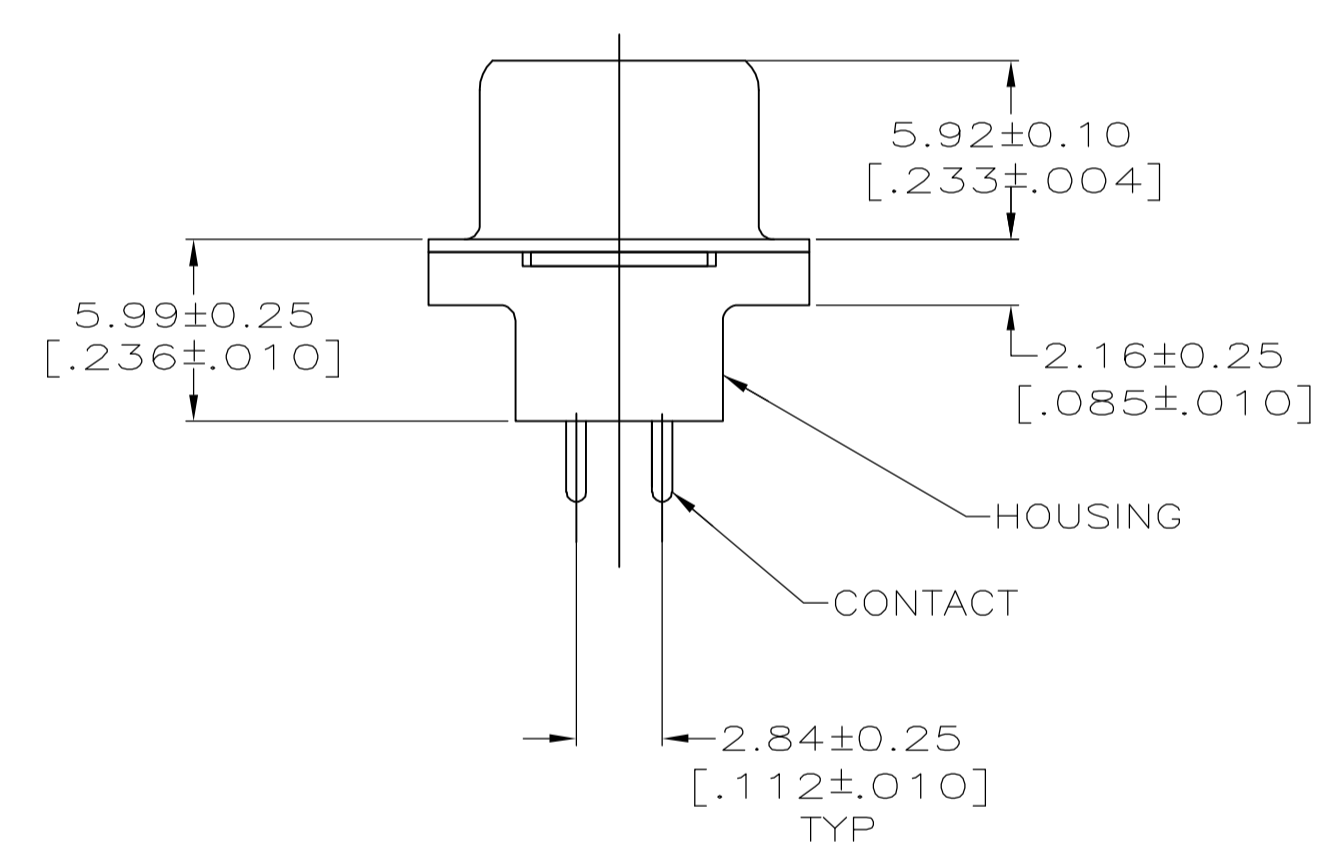
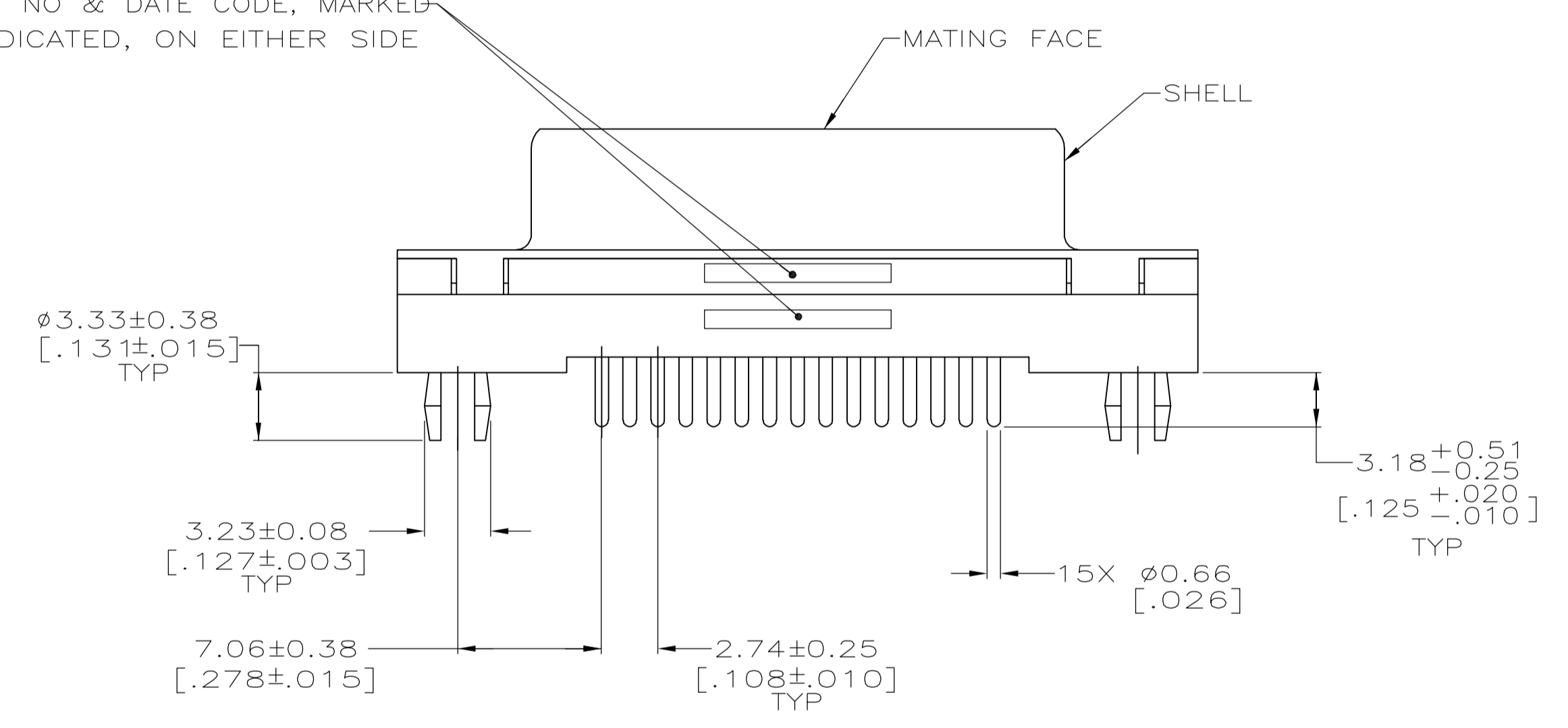


- 1 HOUSING: POLYESTER, UL 94V-0 RATED, BLACK.  
CONTACTS: BRASS.  
SHELL: CARBON STEEL  
RETENTION INSERTS: BRASS
- 2 SHELL: 5.08µm[.000200] MIN TIN OVER 2.54µm[.000100] MIN COPPER.  
RETENTION INSERTS: 3.81µm[.000150] MIN TIN OVER 2.54µm[.000100] MIN COPPER.  
CONTACTS: GOLD PLATED FOR A LENGTH OF 3.81 [.150] MIN FROM MATING END, 0.76µm [.000030] MIN GOLD IN MATED AREA, 2.54µm [.000100] MIN TIN ON OPPOSITE END, ALL OVER 1.27µm[.000050] MIN NICKEL.  
-OR-  
GOLD FLASH OVER PALLADIUM NICKEL PLATED FOR A LENGTH OF 3.81 [.150] MIN FROM MATING END, 0.76µm [.000030] MIN PALLADIUM NICKEL IN MATED AREA, 2.54µm [.000100] MIN TIN ON OPPOSITE END, ALL OVER 1.27µm[.000050] MIN NICKEL.
- 3 DATUMS AND BASIC DIMENSIONS ESTABLISHED BY CUSTOMER.

TYCO, PART NO & DATE CODE, MARKED IN AREA INDICATED, ON EITHER SIDE



PC BOARD MOUNTING DIMENSIONS  
 CONNECTOR SIDE OF BOARD  
 1.57[.062] PC BOARD THICKNESS

THIS DRAWING IS A CONTROLLED DOCUMENT.		DIN B LATTUCA 30SEPT05		Tyco Electronics Corporation Harrisburg, PA 17105-3608	
DIMENSIONS: mm[INCHES]		CHK S BOLASH 30SEPT05		APVD M WALMSLEY 30SEPT05	NAME
TOLERANCES UNLESS OTHERWISE SPECIFIED:		0 PLC ± -	1 PLC ± -	2 PLC ± 0.13 [.005]	3 PLC ± -
		4 PLC ± -	ANGLES ± -	APPLICATION SPEC	108-40025
MATERIAL		FINISH	WEIGHT	SIZE	114-40023
1		2	A1	00779	5750638
CUSTOMER DRAWING		SCALE	4:1	SHEET	1 OF 1
		REV			

## X-ON Electronics

Largest Supplier of Electrical and Electronic Components

*Click to view similar products for [D-Sub Standard Connectors](#) category:*

*Click to view products by [TE Connectivity](#) manufacturer:*

Other Similar products are found below :

[56F711-015](#) [012-9507-004](#) [LV242999-142T12](#) [015-0341-000](#) [015-0372-005](#) [015-0372-008](#) [015-8755-001](#) [020419-0104](#) [012-0467-000](#) [012-0515-000](#) [012-9507-034](#) [012-9507-114](#) [020745-0008](#) [609-25P](#) [M24308/2-23Z](#) [CT2-14S-2PCA34](#) [CT2-18-11PCAU](#) [CT2-36-15SC](#) [CT6-10SL-3SC](#) [CT6-10SL-4SC](#) [CT6-14S-2SC](#) [CT6E14SA7SC](#) [M83513/01-FC](#) [M83723/76W24619 L/C](#) [M85049/48-3-2F](#) [6STD09PCM99B70X](#) [6STD09SCM99B30X](#) [6STD09SCT99S40X](#) [6STD15PCT99S40X](#) [6STD15SCM99B30X](#) [6STD15SCT99S40X](#) [6STF09PCM05B70X](#) [7-135760-9](#) [MC11E-10-6SN](#) [747552-3](#) [MD1-21PS](#) [MDM-15SCBRM7-F222](#) [MDM96517-699](#) [MDM96521-744](#) [MDVB1-21SL1](#) [MIK0-1-7SH003](#) [MIKQ6-7SH076](#) [MIKQ7-7PH077](#) [MIKQ7-7PH11](#) [MIKQ7-7PH32](#) [MJSV-28SL61](#) [MKJ4A1F14-55S](#) [8-135760-3](#) [8STD09PCM99B30X](#) [PG-KV/PV-16-GROM-SEALING](#)