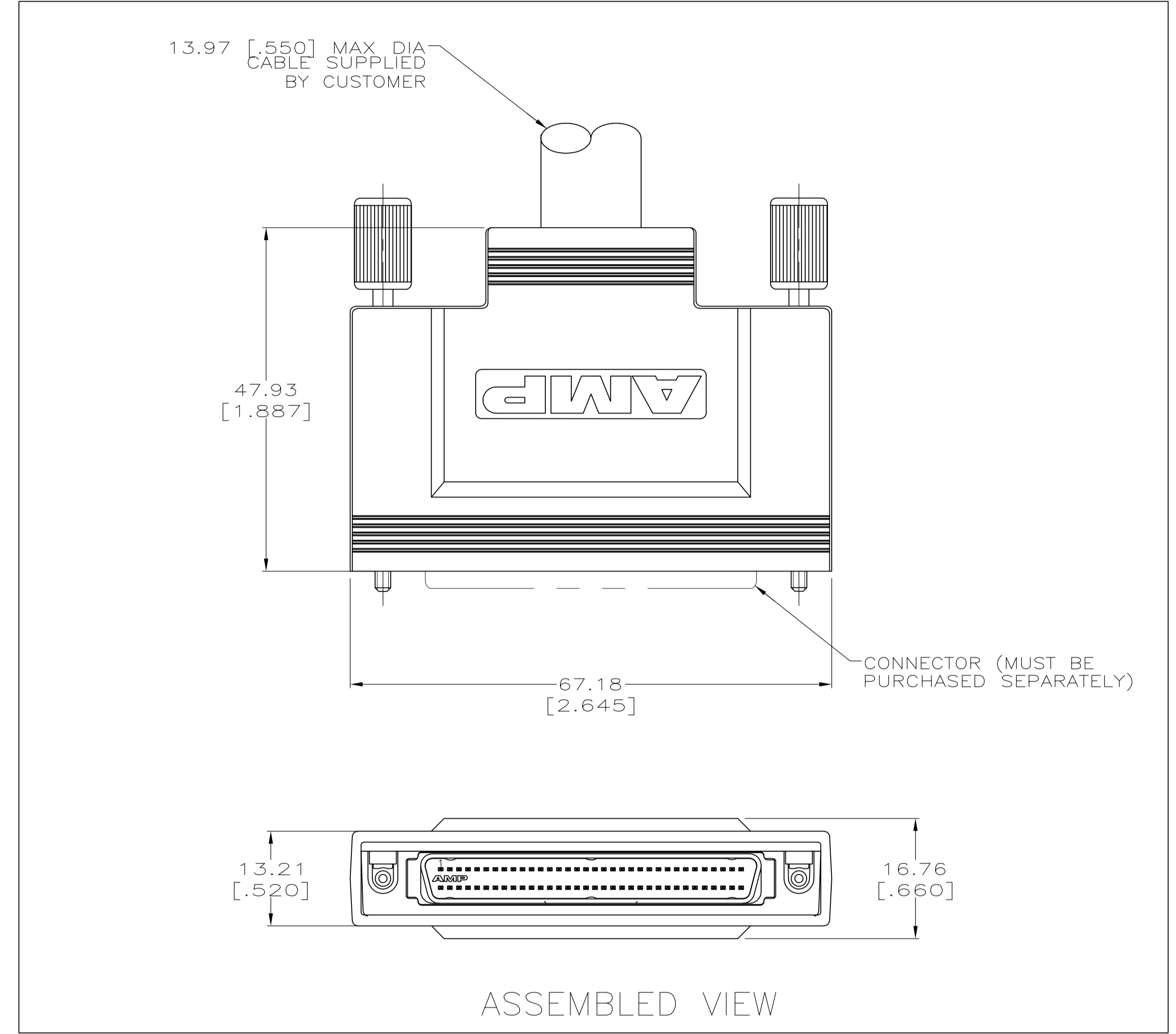
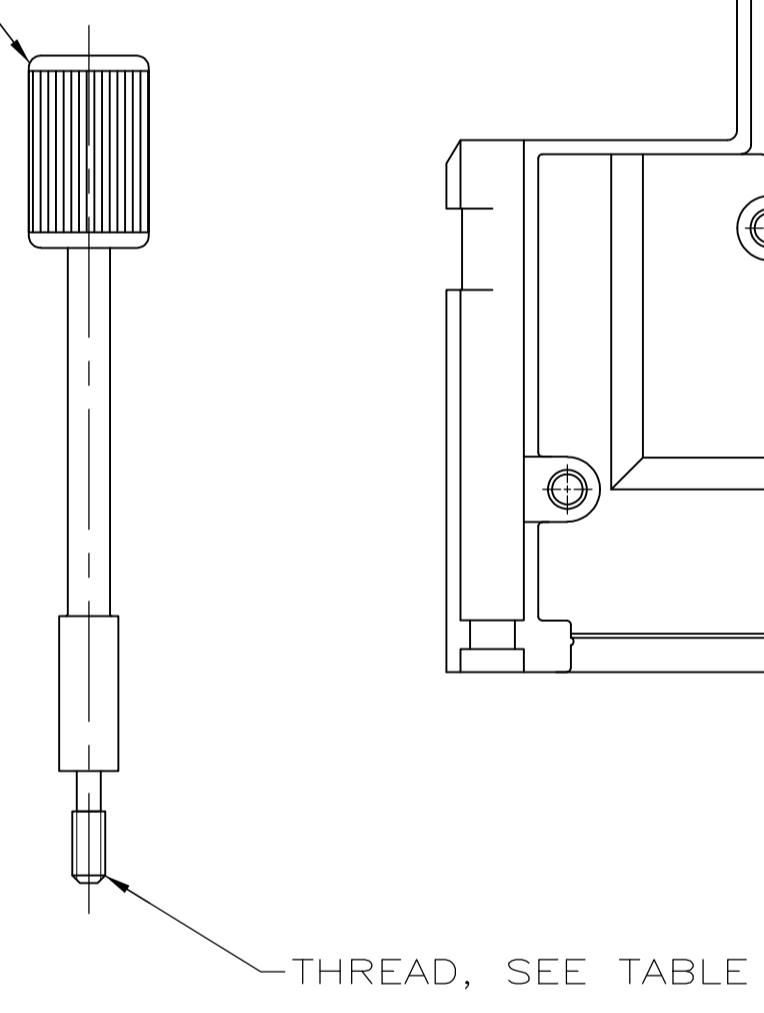
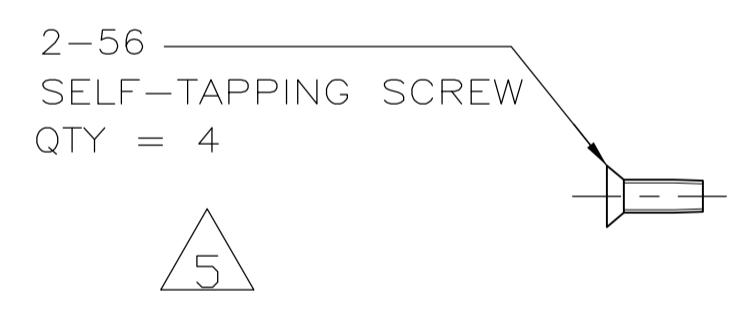
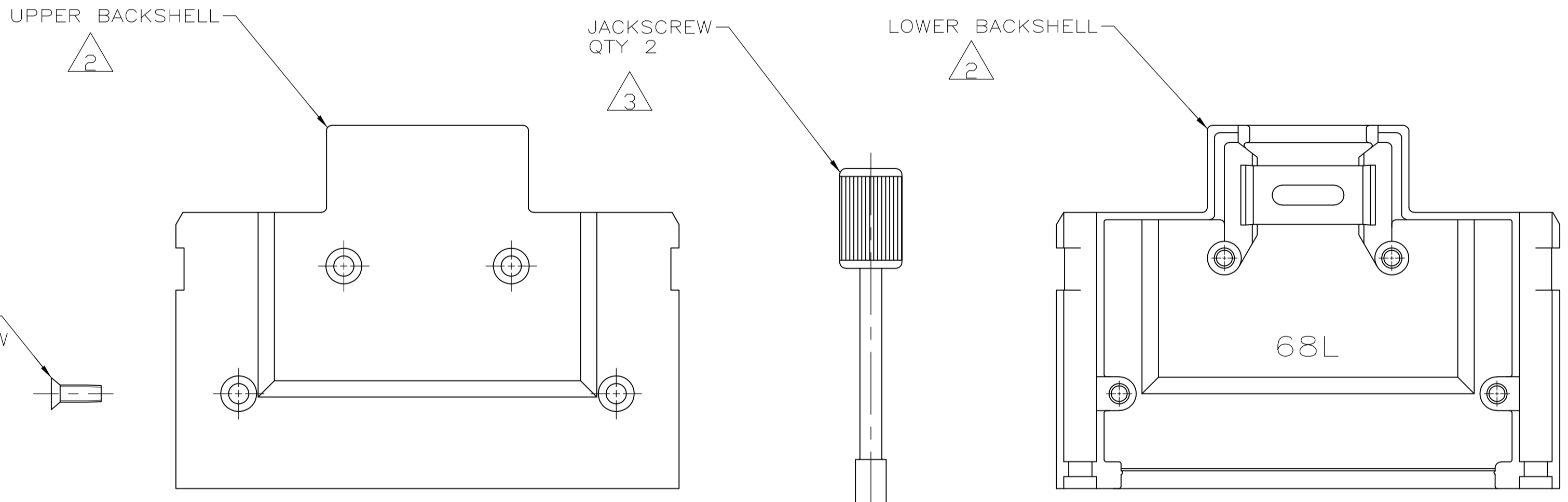
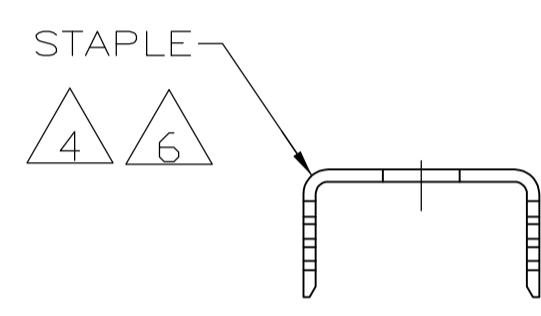
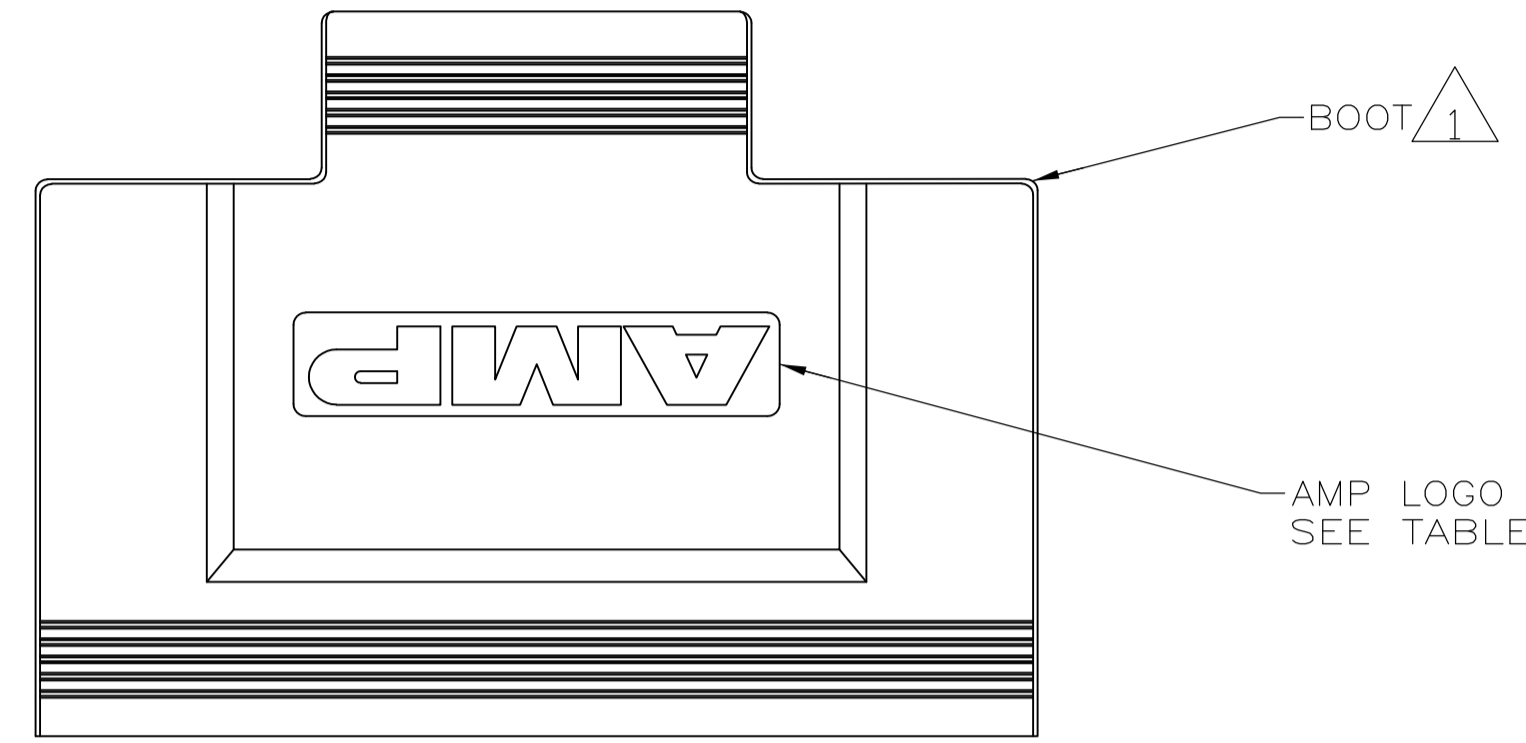


REVISIONS				
P	LTR	DESCRIPTION	DATE	APP'D
C		REVISED PER ECO-16-005483	13APR2016	AP DG



- 1 PVC, BLACK.
- 2 ZINC.
- 3 STAINLESS STEEL
- 4 CARBON STEEL.
- 5 STAINLESS STEEL.
- 6 1.27µm [.000050] MIN BRIGHT TIN OVER 1.27µm [.000050] MIN NICKEL.
- 7 PARTS INDIVIDUAL BULK PACKAGED.
- 8 PARTS PACKAGED AS A UNIT KIT.
- 9 OBSOLETE PARTS: OBSOLETE CIS STREAMLINING PER D.RENAUD/D.SINISI

OBSOLETE	NO	YES	2-56	7	5750752-5
9	YES	YES	2-56	8	5750752-4
	NO	NO	2-56	7	5750752-3
	YES	YES	4-40	6	5750752-2
	YES	YES	2-56	5	5750752-1

THIS DRAWING IS A CONTROLLED DOCUMENT. DIMENSIONING AND TOLERANCING PER ASME Y14.5M-2009		DWG: G. PETERS 26AUG05	TE Connectivity	
TOLERANCES UNLESS OTHERWISE SPECIFIED:		CHK: S. SHUEY 26AUG05	NAME: M. WALMSLEY 26AUG05	
DIMENSIONS: INCHES	0. PLC ± -	PRODUCT SPEC: BACKSHELL KIT, UNASSEMBLED, 68 POSN, AMPLIMITE .050 Series		
	1. PLC ± -	APPLICATION SPEC: -		
	2. PLC ± .5[.020]	SIZE: A1	CAGE CODE: 00779	DRAWING NO: 5750752
	3. PLC ± -	WEIGHT: 0.000000	SCALE: 1:1	SHEET 1 OF 1
	4. PLC ± -	CUSTOMER DRAWING		
MATERIAL: -	FINISH: -	REV: C		

COPYRIGHT 2005 TYCO ELECTRONICS CORP ALL RIGHTS RESERVED

X-ON Electronics

Largest Supplier of Electrical and Electronic Components

Click to view similar products for [D-Sub Backshells](#) category:

Click to view products by [TE Connectivity](#) manufacturer:

Other Similar products are found below :

[600X54009X](#) [M85049/6-38N](#) [M85049/86-12N03](#) [M85049/90-13P03](#) [70.350.0636.4](#) [70.350.2435.1](#) [72.350.1035.2](#) [72.352.2435.1](#)
[73.359.4035.3](#) [829472-1](#) [PCS-E20W](#) [970-015-040R011](#) [971-009-030R121](#) [971-009-040R011](#) [971-015-040R011](#) [DPH-B-003](#) [1437013-9](#)
[1484402-8](#) [156-3025-EX](#) [16-500800](#) [165X02659X](#) [165X03329A](#) [165X03399A](#) [165X10259X](#) [165X11759X](#) [165X11889X](#) [165X11899X](#)
[165X13019X](#) [165X13029X](#) [165X13169X](#) [165X13199X](#) [165X13239X](#) [165X13389X](#) [165X13489X](#) [165X14219X](#) [165X14429X](#)
[165X14449X](#) [165X17409X](#) [165X17439X](#) [165X17569X](#) [165X17599X](#) [165X17609X](#) [165X17889X](#) [165X17979X](#) [L171373](#) [971-025-](#)
[030R121](#) [300X10989X](#) [165X02609X](#) [165X02639X](#) [165X02689X](#)