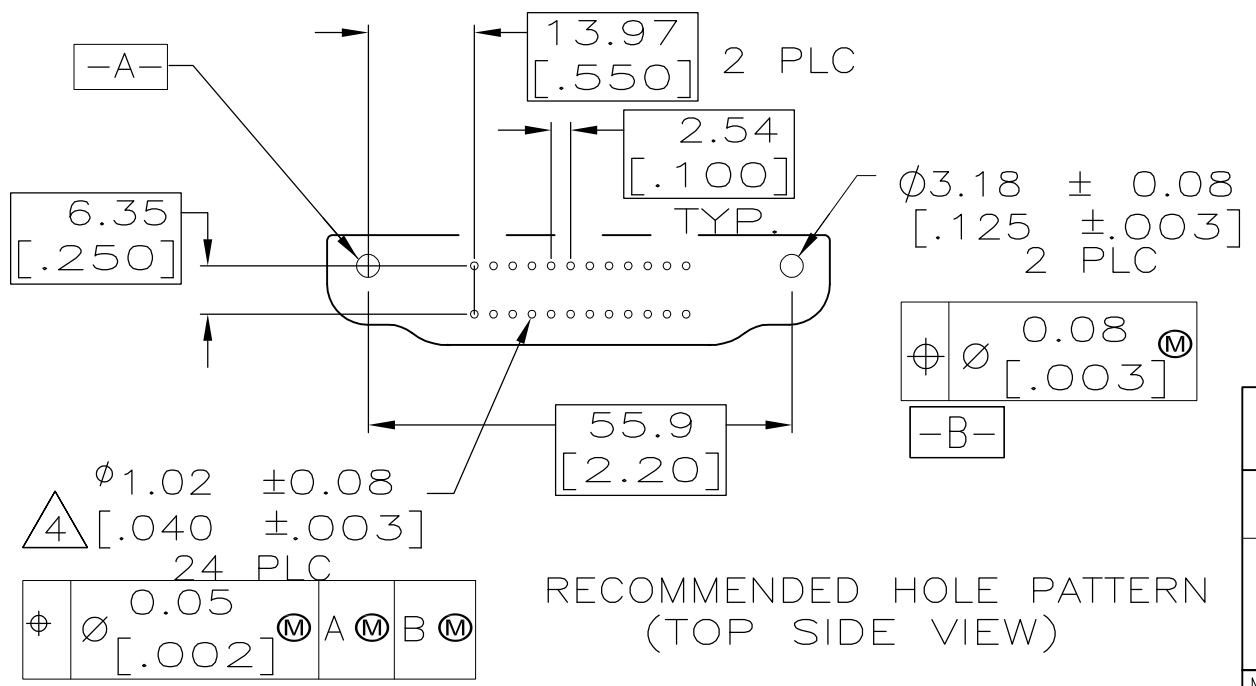
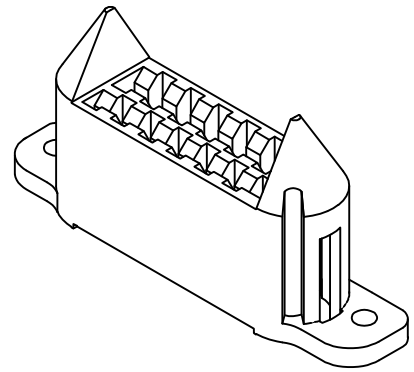
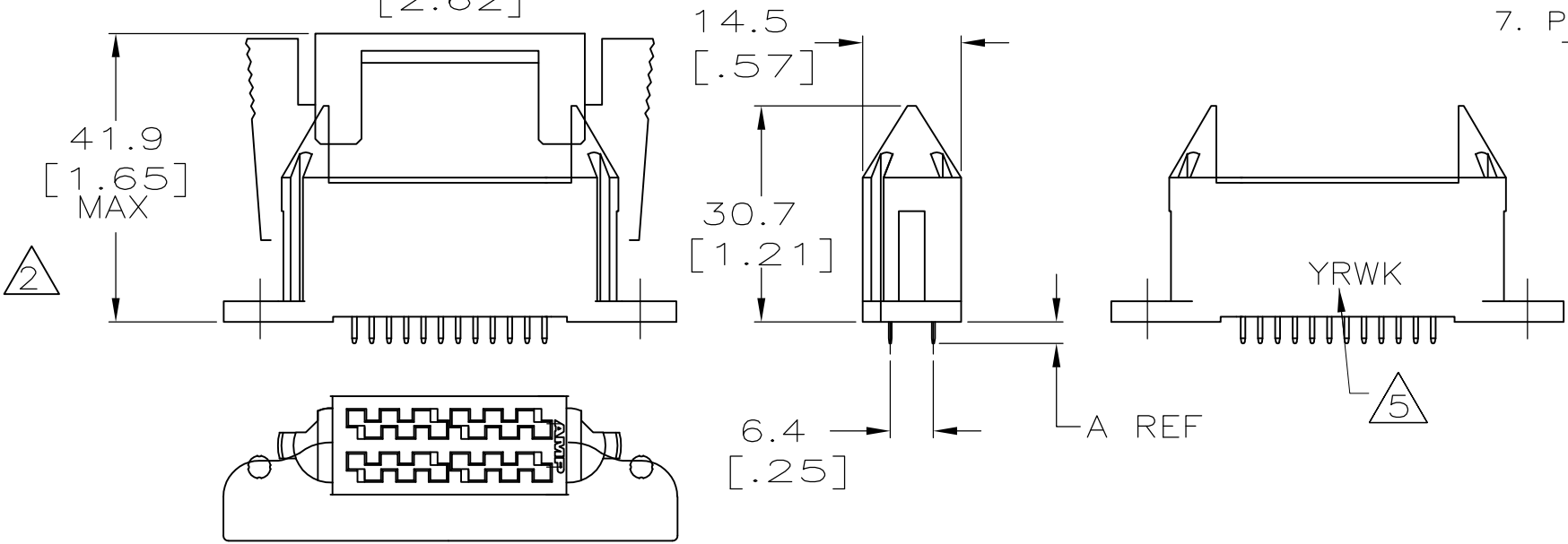
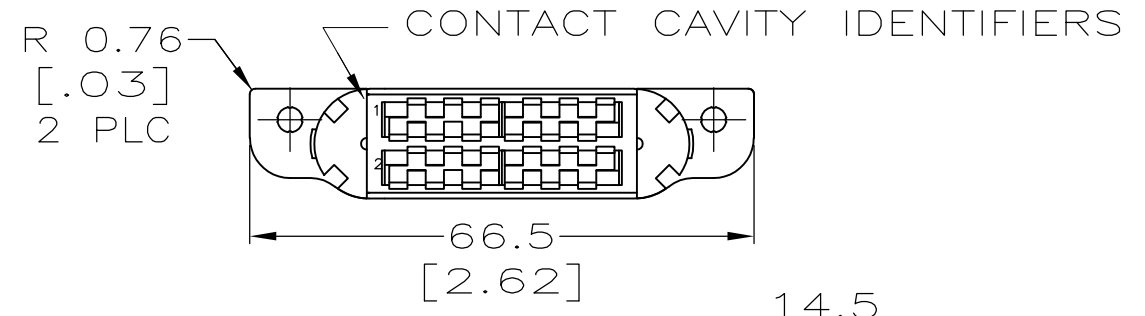


THIS DRAWING IS UNPUBLISHED. RELEASED FOR PUBLICATION  
 © COPYRIGHT - BY TYCO ELECTRONICS CORPORATION. ALL RIGHTS RESERVED.

AMPOWER and ACTION PIN are registered trademarks of AMP Incorporated.

LOC	DIST	REVISIONS					
GP	00	P	LTR	DESCRIPTION	DATE	DWN	APVD
			B	REV PE ECO-10-021237	19JAN2011	RG	MS

- 1 FINISH: SILVER ON MATING END ALL OVER NICKEL
  - 2 HEIGHT OF MATED ASSEMBLY.
  - 3 HOUSING, HIGH TEMP
  - 4 HOLE DIAMETER AFTER PLATING.
  - 5 ADD 2-DIGIT YEAR AND 2 DIGIT WEEK CODE IN CONTRASTING COLOR, INDELIBLE INK, .13" CHARACTER HEIGHT APPROX AS SHOWN (NOTE CONDUCTOR 1 & 3 SIDE OF HOUSING).
6. MOUNTING HARDWARE, 2 #4-40 SCREWS AND NUTS OR 2 EYELETS (P/N 748572-2) ARE REQUIRED.
7. PRODUCT AND PROCESSING MUST MEET REQUIREMENTS OF TYCO ELECTRONICS STANDARD 230-702.



OBSOLETE	7.7 [.31]	6.35 [.250]	THK PCB	5765527-4
OBSOLETE	5.9 [.24]	4.75 [.187]	THK PCB	5765527-3
	4.1 [.16]	3.18 [.125]	THK PCB	5765527-2
	3.3 [.13]	1.57-2.36 [.062-.093]	THK PCB	5765527-1
	DIM "A"		DESCRIPTION	

THIS DRAWING IS A CONTROLLED DOCUMENT.

DWN E.C. CLAYBAUGH 02/DEC/05	Tyco Electronics Corporation Harrisburg, PA 17105-3608	
CHK 05/DEC/05		
APVD J. SCHOLZ 07/DEC/05	NAME AMPOWER Wave Crimp System HEADER ASSEMBLY, .100 CL, VERTICAL DRAWER CONNECTOR	
PRODUCT SPEC 108-1319	SIZE A3	
APPLICATION SPEC 114-49005	CAGE CODE 00779	
MATERIAL HIGH TEMP 3	FINISH 1	
WEIGHT -	DRAWING NO C-5765527	
CUSTOMER DRAWING		RESTRICTED TO -
SCALE N.T.S.		SHEET 1 OF 1
		REV B

## X-ON Electronics

Largest Supplier of Electrical and Electronic Components

*Click to view similar products for [Power to the Board](#) category:*

*Click to view products by [TE Connectivity](#) manufacturer:*

Other Similar products are found below :

[6450171-4](#) [6450552-7](#) [6600323-8](#) [6643429-1](#) [6646040-2](#) [6651939-1](#) [6766604-1](#) [120959-1](#) [1393557-2](#) [1393532-2](#) [1393532-3](#) [1393532-4](#)  
[1393557-1](#) [1600812-5](#) [1-6450861-2](#) [1744132-7](#) [1761122-1](#) [1766250-1](#) [1892109-1](#) [2-6450860-5](#) [2-6450870-0](#) [1-6450161-4](#) [1-6450850-6](#) [1-6450869-6](#) [1645526-2](#) [1-6600130-0](#) [2005243-2](#) [377-0020-11130](#) [TE34-12-16P-F0](#) [5-6450830-6](#) [5646956-4](#) [377-0080-11131A](#) [4-6450830-9](#)  
[4-6600333-3](#) [10125416-4050LF](#) [6600320-3](#) [3-6450860-5](#) [1888123-2](#) [6450166-1](#) [6643978-1](#) [6766605-1](#) [701-15-02109](#) [N11444](#) [6651938-1](#)  
[6450810-7](#) [46437-1112](#) [1-1589677-8](#) [5646956-5](#) [6450813-2](#) [6450129-4](#)