








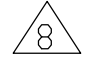


THIS DRAWING IS UNPUBLISHED. RELEASED FOR PUBLICATION
 © COPYRIGHT - By - ALL RIGHTS RESERVED.

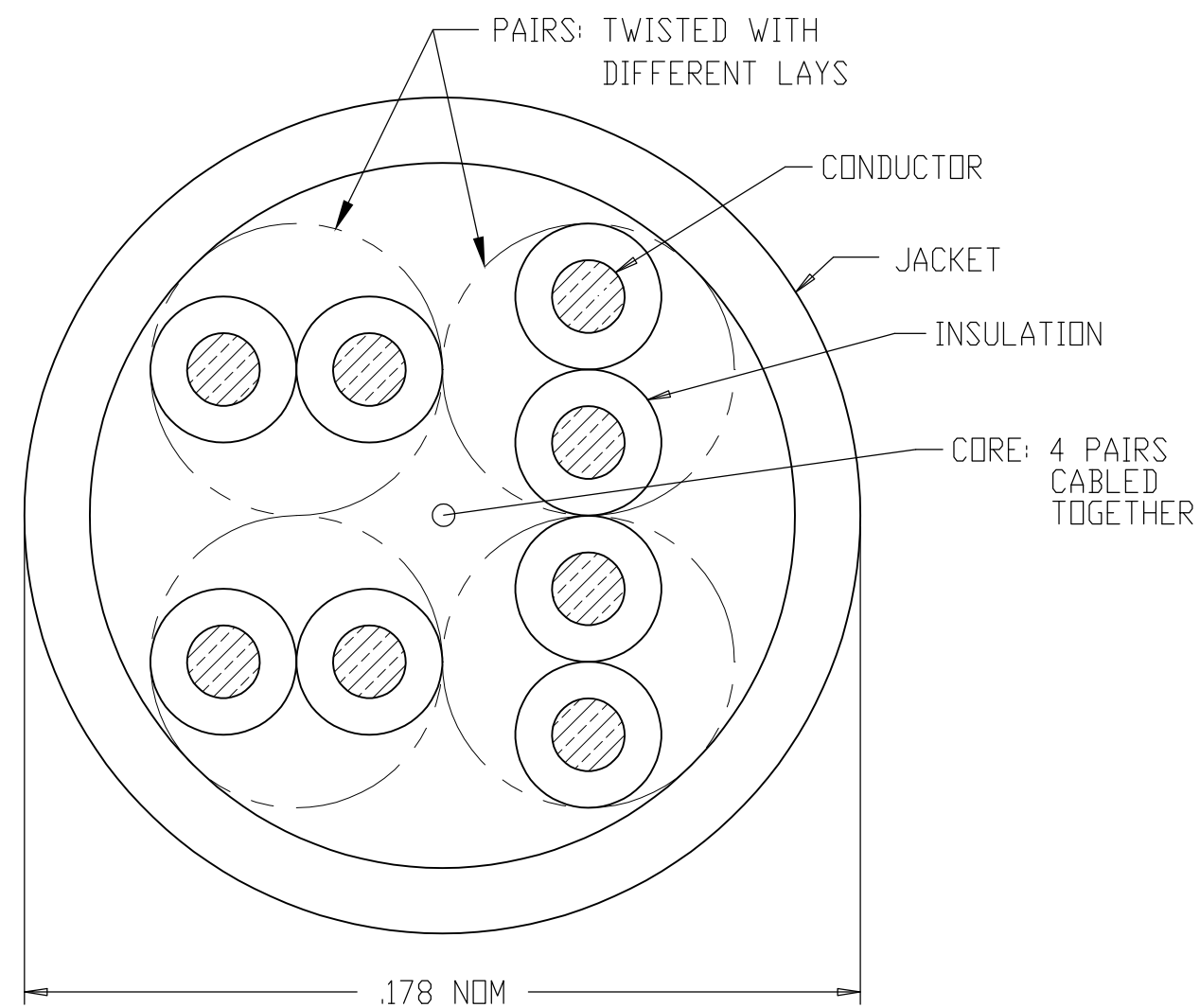
LOC	DIST	REVISIONS					
		P	LTR	DESCRIPTION	DATE	DWN	APVD
EH	00		AV	REV PER ECO-13-001932	14MAR2013	GG	LH

FINISHED CABLE DATA		
CONDUCTORS	WIRE AWG	24 AWG SOLID
	MATERIAL	SOLID BARE COPPER 
INSULATION	MATERIAL	FLUOROPOLYMER/POLYOLEFIN 
JACKET	MATERIAL	FR PVC 
ELECTRICAL REQUIREMENTS		
INSULATION RESISTANCE	500 MEGOHMS MIN/1000 FT	
CONDUCTOR RESISTANCE	28.6 OHMS MAX/1000 FT	

- GOVERNING SPECIFICATIONS: (LATEST ISSUE)
TIA-568-C.2 CAT 5E
NEC 800
UL444 CMP
- JACKET MARKED PER UL444.
-  DATE CODE.
-  SEQUENTIAL FOOTAGE RETURNED TO ZERO FOR EACH LENGTH ON PUTUP LENGTHS 3000 FT OR LESS.
-  MATERIALS ARE SELECTED BASED ON THEIR ABILITY TO CONFORM TO UL 444 AND EIA/TIA 568, LATEST ISSUES
-  INSULATION COLORS SHALL BE BLUE, ORANGE, GREEN, BROWN AND WHITE WITH CORRESPONDING COLORED STRIPES. THE INSULATION COLOR MAY BE TRANSLUCENT.
-  XX=JACKET COLOR. BL=BLUE, WT=WHITE, GY=GRAY, GN=GREEN, YL=YELLOW, OR=ORANGE, RD=RED, VT=VIOLET, BK=BLACK.
-  REPLACE "02" FOR THE FOLLOWING FOOTAGES: 04=2,000', 05=2,500'. CALL FOR ADDITIONAL OPTIONS.

COLOR CODE 

PAIR	
1	WHT-BLU/BLU
2	WHT-ORG/ORG
3	WHT-GRN/GRN
4	WHT-BRN/BRN




LEGEND TO BE REPEATED EVERY 24"

TE CONNECTIVITY 520 SERIES 4/24 AWG T256 CMP C(UL)US ETL VERIFIED TIA-568-C.2 CAT 5E PAT 6153826, 6743983 XXXX FT

CATALOG NUMBER	WEIGHT		PACKAGING
	LBS/KFT	KG/KM	
TE520P-XX02	21	31	1,000' REEL
TE520P-XXII	20	30	1,000' REELEX BOX
TE520P-XXRB	22	33	1,000' REEL-IN-A-BOX

THIS DRAWING IS A CONTROLLED DOCUMENT.		DWN M. BOLES 26NOV2001	 TE Connectivity	
DIMENSIONS: INCHES		CHK C. STEWART 1.3FEB96		
TOLERANCES UNLESS OTHERWISE SPECIFIED:		APVD M. RUBERA 1.3FEB96	NAME CABLE, 520 SERIES CAT 5e, ENHANCED, 4 UTP, 24AWG, CMP	
0 PLC ±		PRODUCT SPEC	SIZE CAGE CODE DRAWING NO RESTRICTED TO	
1 PLC ± .1		APPLICATION SPEC	A2 00779 C=57825	
2 PLC ± .02		WEIGHT	SCALE SHEET 1 of 1 REV AV	
3 PLC ± .005		CUSTOMER DRAWING	SCALE NTS	
4 PLC ± .0005				
ANGLES ±				
FINISH				

X-ON Electronics

Largest Supplier of Electrical and Electronic Components

Click to view similar products for [Multi-Conductor Cables](#) category:

Click to view products by [TE Connectivity](#) manufacturer:

Other Similar products are found below :

[8916-GRY-100](#) [8917-BLK-100](#) [8918-GRN/YEL-100](#) [8920-BRN-1000](#) [8920-RED-1000](#) [89907-LT-DEC/GRY-500](#) [CR3909-000](#) [CR3927-000](#) [01342.35T.01](#) [01364.35T.01](#) [003201-000](#) [CS2885-000](#) [CS8782-000](#) [CS9912-000](#) [6200UE-NAT-U1000](#) [CTC-0062-20-9/5-9](#) [CTC-0062-22-9/5-9](#) [6304FE-877-U500](#) [6309UE-877-1000](#) [6320UE-NAT-U1000](#) [644833-000](#) [6502FE 8771000](#) [6504UE-877-U1000](#) [CW9530-000](#) [CX6543-000](#) [CXA-0066-20-4-9CS2973](#) [CXA-0078-16-1-9CS2405](#) [CXA-0078-22-4-9CS2405](#) [CXA-0078-24-4-9CS2405](#) [CXA-0140-16-6/9-9CS2405](#) [CY0660-000](#) [706/2R-BLACK-EACH](#) [720451-000](#) [730859-000](#) [MCC-USB-4-250](#) [752687-000](#) [768146-000](#) [773159-000](#) [7934A-BLK-1000](#) [8125-CHR-100](#) [8164-CHR-1000](#) [820457-000](#) [8205-CHR-1000](#) [8240-BLK-U1000](#) [82723-NAT-1000](#) [82907-NAT-500](#) [83003-YEL-500](#) [83005-WHT-500](#) [83006-DK-GRN-100](#) [83008-WHT-1000](#)