

4

3

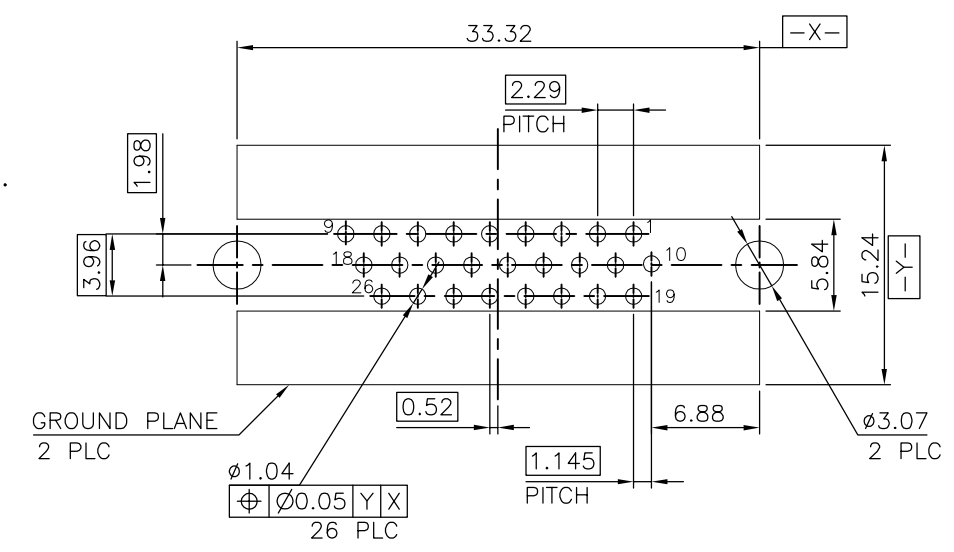
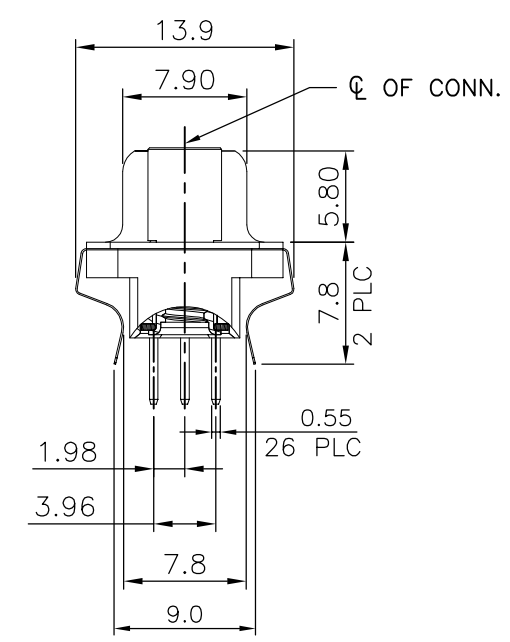
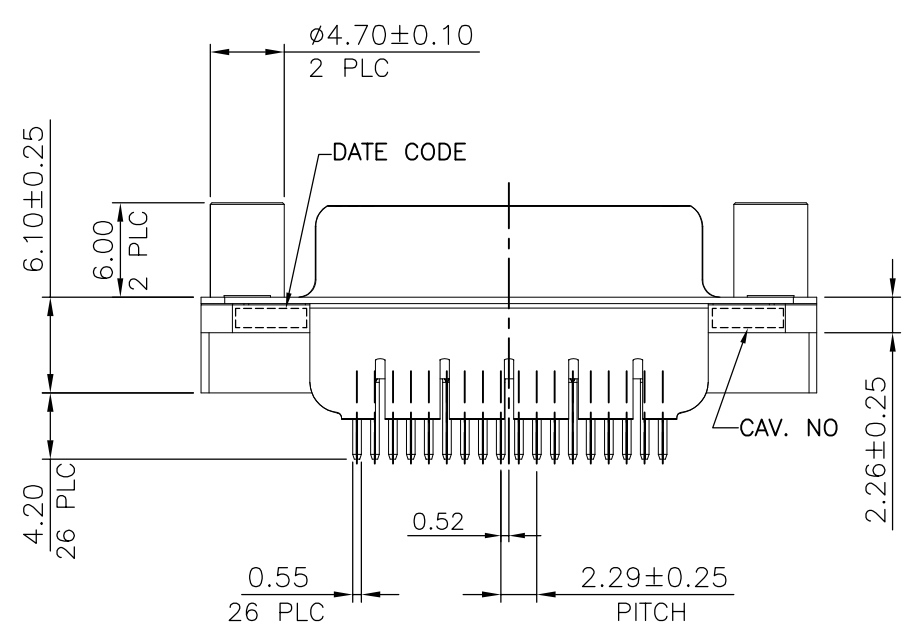
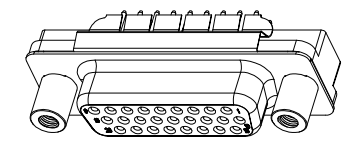
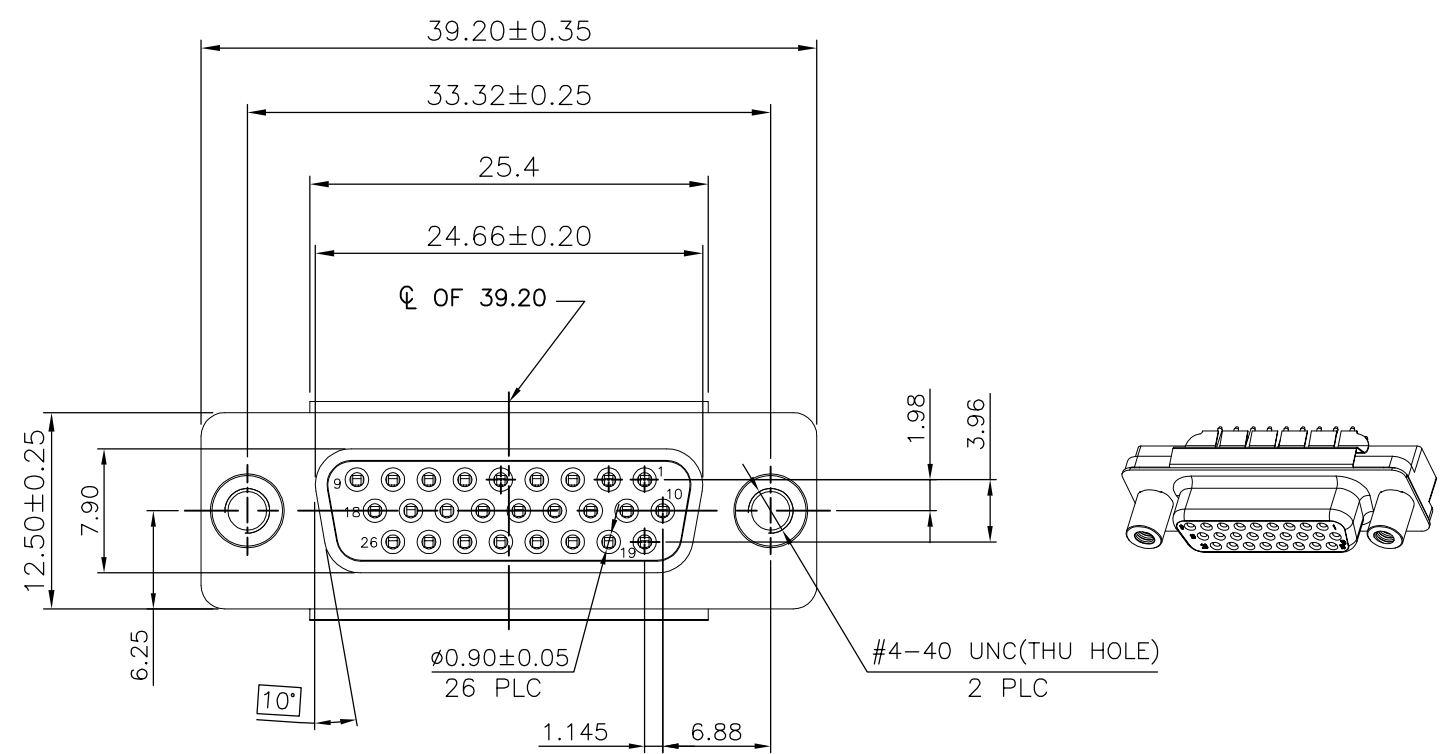
2

1

THIS DRAWING IS UNPUBLISHED. RELEASED FOR PUBLICATION
 © COPYRIGHT BY TYCO ELECTRONICS CORPORATION. ALL RIGHTS RESERVED.

LOC	DIST	REVISIONS					
		P	LTR	DESCRIPTION	DATE	DWN	APVD
DW	-		A2	REVISED PER ECO-15-011151	14DEC2015	AP	DG

NOTE:
 1. MATERIAL:
 HOUSING: PBT WITH 30% GF POLYESTER, UL 94V-0, BLACK COLOR.
 CONTACTS: PHOSPHOR BRONZE.
 SHELL: STEEL.
 GROUND PLATE: STAINLESS STEEL SHEET.
 NUT: BRASS.
 WASHER: BRASS.
 2. FINISH:
 CONTACTS:
 GOLD PLATING IN CONTACT AREA (SEE TABLE),
 3.04um [120u"] MIN. MATTE-TIN ON SOLDER TAIL, WITH ENTIRE CONTACT UNDERPLATED
 1.27um [50u"] MIN. NICKEL.
 SHELL: 1.27um [50u"] MIN. NICKEL OVER ALL.
 NUT: 1.27um [50u"] MIN. NICKEL OVER ALL.
 WASHER: 1.27um [50u"] MIN. NICKEL OVER ALL.
 3. WAVE SOLDER CAPABLE TO 265°C PER TE TEST SPEC. 109-202, CONDITION B.
 4. OBSOLETE PARTS: OBSOLETE CIS STREAMLINING PER D.RENAUD/D.SINISI.
 5. SCREWLOCKS TO BE CAPABLE OF ACCEPTING #4-40 UNC-2A SCREWS WHEN
 THREADED INTO THE TOP AND BOTTOM OF THE SCREWLOCKS.
 6. DATE CODE: XX XX
 YEAR WEEK



TOLERANCE: ±0.05
 RECOMMENDED PCB LAYOUT
 (TOP VIEW)

△	GOLD FLASH	5786073-4
OBSOLETE	15u"	5786073-3
OBSOLETE	30u"	5786073-1
	FINISH	PART NO.

THIS DRAWING IS A CONTROLLED DOCUMENT.		DWN	B. MCMASTER	22SEP2005		NAME D-SUB CONNECTOR, VERTICAL 26POS, FEMALE FRONT METAL SHELL	
DIMENSIONS: MM		CHK	S. BOLASH	22SEP2005			
TOLERANCES UNLESS OTHERWISE SPECIFIED:		APVD	M. WALMSLEY	22SEP2005			
0 PLC ± - 1 PLC ± 0.3 2 PLC ± 0.2 3 PLC ± 0.1 4 PLC ± - ANGLES ± 2'		PRODUCT SPEC		SIZE			A3
MATERIAL SEE NOTE		FINISH SEE NOTE		WEIGHT	7.78 GRAMS	CAGE CODE	00779
				CUSTOMER DRAWING		DRAWING NO	C=5786073
						RESTRICTED TO	-
						SCALE	-
						SHEET	1 OF 2
						REV	A2

4

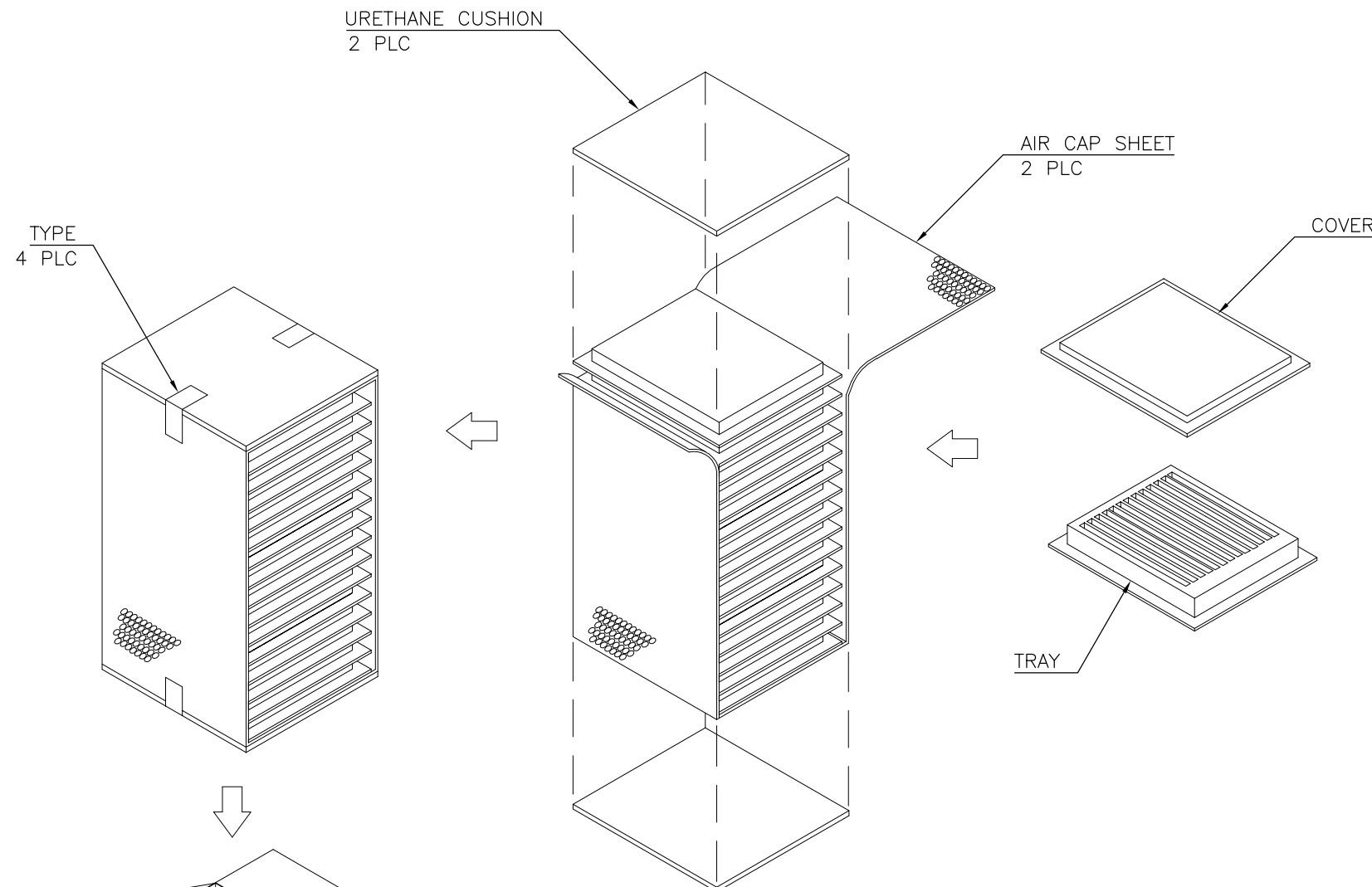
3

2

1

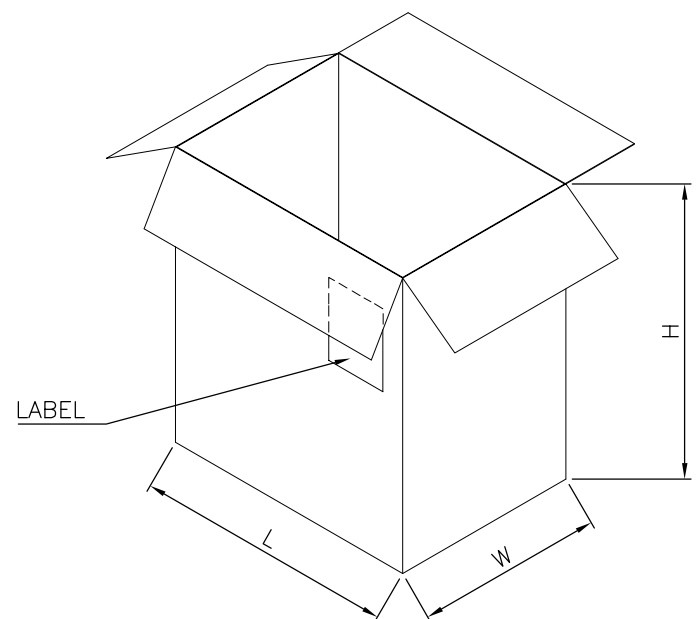
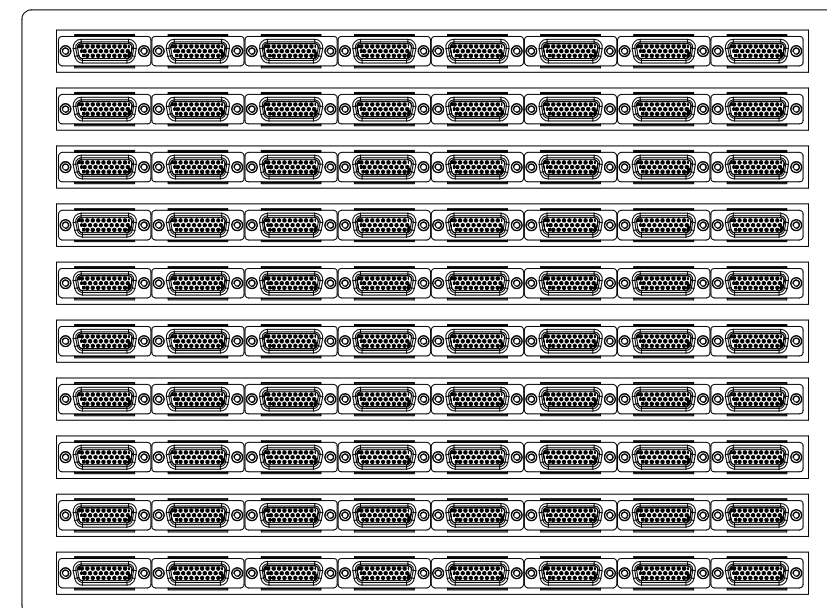
THIS DRAWING IS UNPUBLISHED. RELEASED FOR PUBLICATION
 © COPYRIGHT BY TYCO ELECTRONICS CORPORATION. ALL RIGHTS RESERVED.

LOC	DIST	REVISIONS				
P	LTR	DESCRIPTION	DATE	DWN	APVD	
DW	-	SEE SHEET 1.				




NOTE:

- MATERIAL:
 TRAY: PVC.
 BOX: CORRUGATED FIBERBOARD.
- DIMENSION:
 TRAY: L=345, W=230, H=16.5
 SHIPPING CARTON: L=361, W=245, H=272



9.65Kg	8.30Kg	80	15	1200
GROSS WEIGHT	NET WEIGHT	PCS/TRAY	TRAYS/BOX	PCS/BOX

THIS DRAWING IS A CONTROLLED DOCUMENT.		DWN		 TE Connectivity	
DIMENSIONS: MM		CHK			
TOLERANCES UNLESS OTHERWISE SPECIFIED: 0 PLC ± - 1 PLC ± - 2 PLC ± - 3 PLC ± - 4 PLC ± - ANGLES ± -		APVD		NAME	
MATERIAL		PRODUCT SPEC		D-SUB CONNECTOR, VERTICAL 26POS, FEMALE FRONT METAL SHELL	
SEE NOTE		APPLICATION SPEC		SIZE	
SEE NOTE		WEIGHT		CAGE CODE	
		CUSTOMER DRAWING		DRAWING NO	
				A3 00779 C=5786073	
				RESTRICTED TO	
				-	
		SCALE		SHEET	
		-		2 OF 2	
				REV	
				A2	

X-ON Electronics

Largest Supplier of Electrical and Electronic Components

Click to view similar products for [D-Sub High Density Connectors](#) category:

Click to view products by [TE Connectivity](#) manufacturer:

Other Similar products are found below :

[1484349-1](#) [163A16769X](#) [163A16809X](#) [163A17089X](#) [164A17199X](#) [164A17209X](#) [164A17479X](#) [164A18209X](#) [17BH-044S-AA110](#) [K86X-AD-26S](#) [KF66X-E15P-N](#) [241A17320X](#) [242A25680X](#) [242A25740X](#) [L717HDB44POL2R210](#) [L717HDCH62POL2RM5](#) [L717HDEH15POL2L777HDE15P](#) [L77HDC62S](#) [163A16599X](#) [163A16779X](#) [163A16839X](#) [163A17079X](#) [164A17309X](#) [164A17329X](#) [164A18219X](#) [241A16440X](#) [241A16550X](#) [241A16680X](#) [241A17390X](#) [241A20810X](#) [241A25740X](#) [CT25-44P](#) [K66X-E15S-N30](#) [K86X-BA-44S](#) [K86X-ED-15S-BR15](#) [K86X-ED-15SK](#) [L177HDE15SOL2RM23](#) [L177HRC62S](#) [L177HRC62SVFM](#) [L177HRCG62S](#) [L717HDBH44POL2RM5](#) [L717HDEG15POL2RM5](#) [L77HDA26SVF](#) [L77HDE15SD1CO](#) [L77HDEH15SOL2RM832](#) [443895-3](#) [106698-1](#) [5529599](#) [280-012K2C](#)