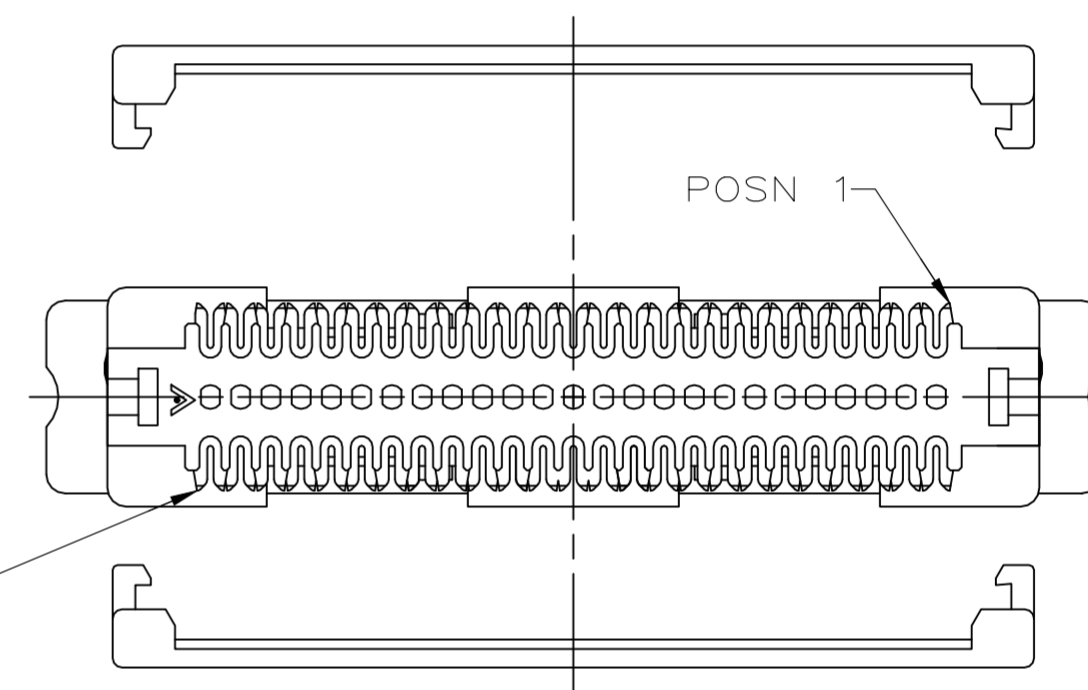
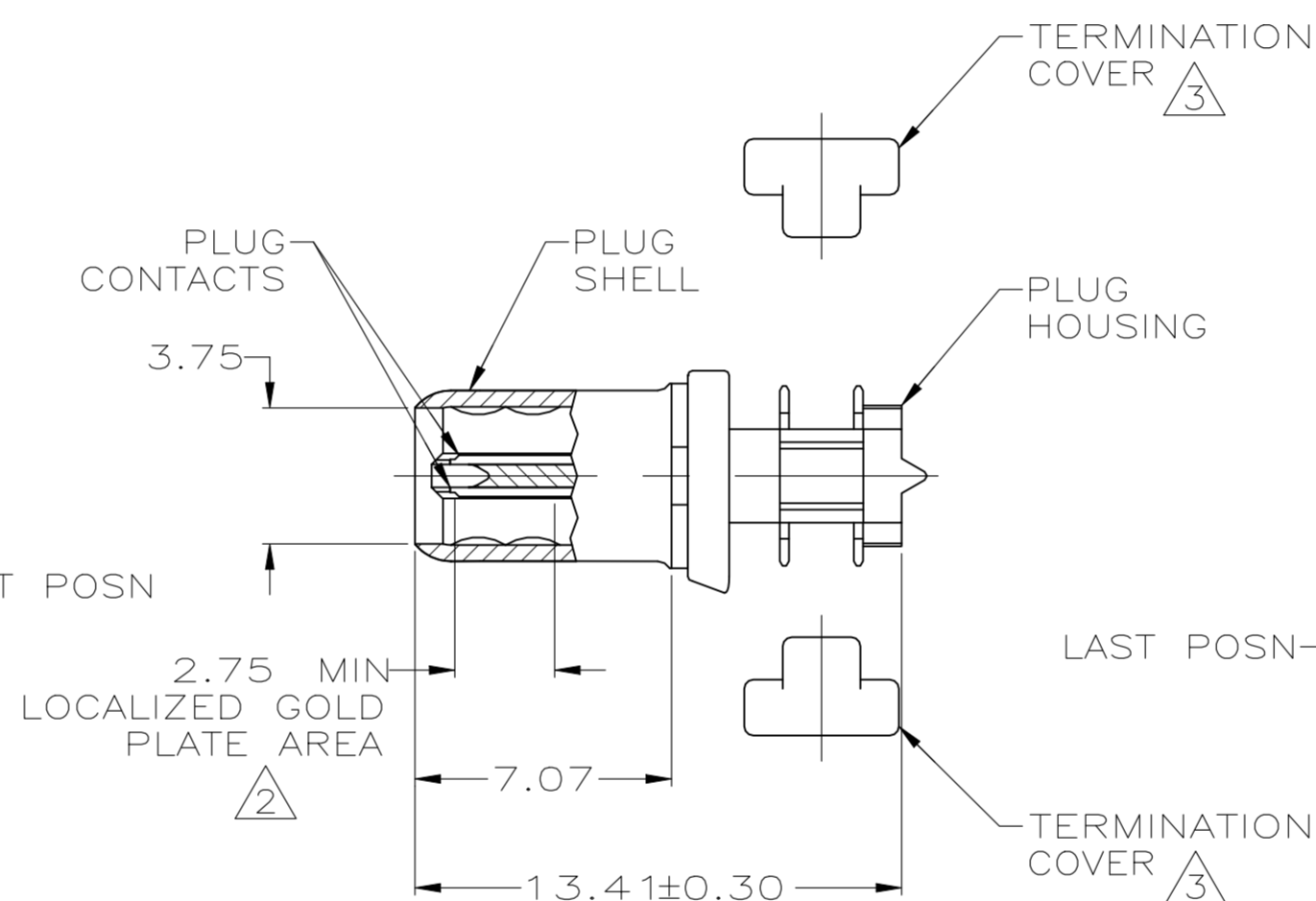
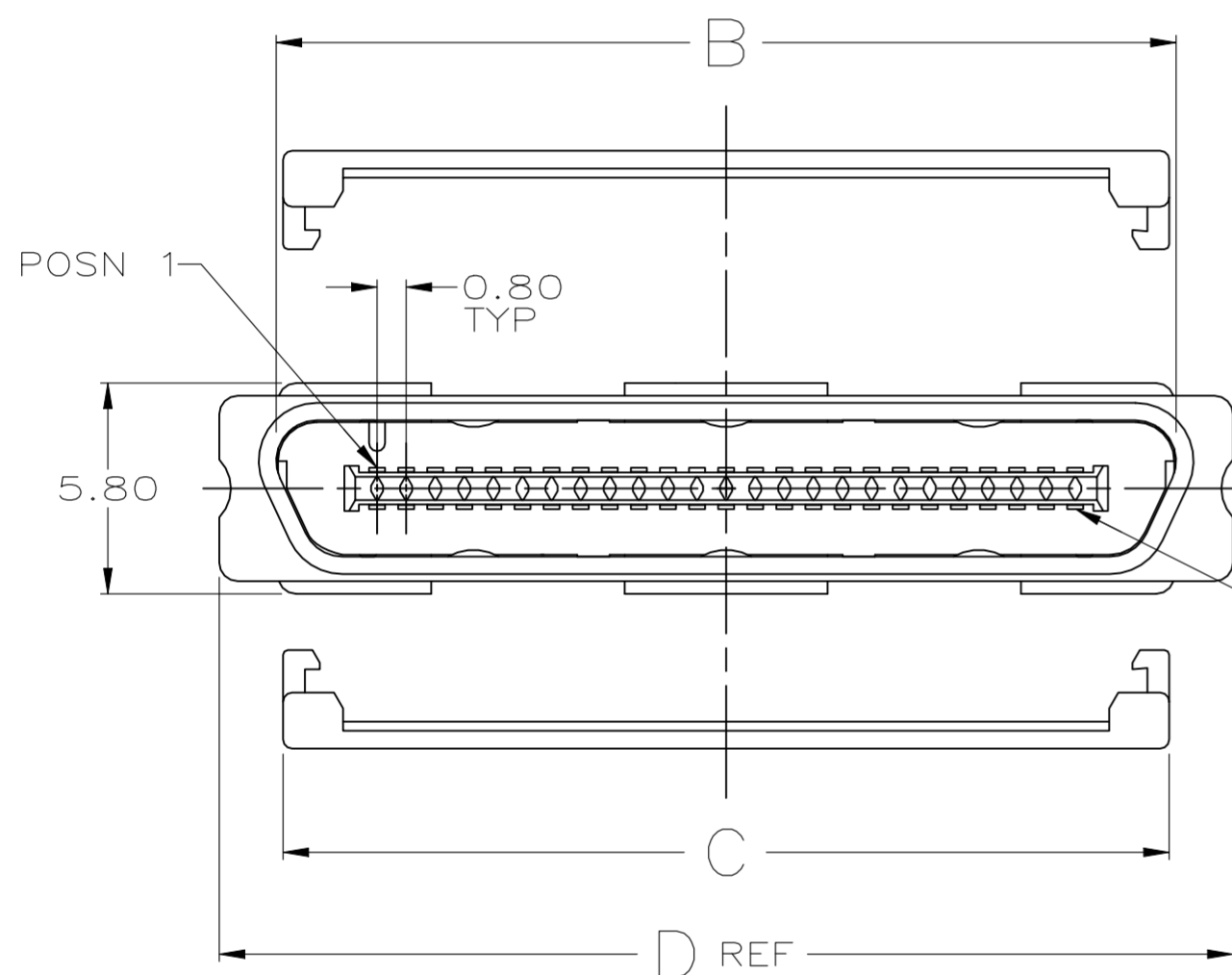
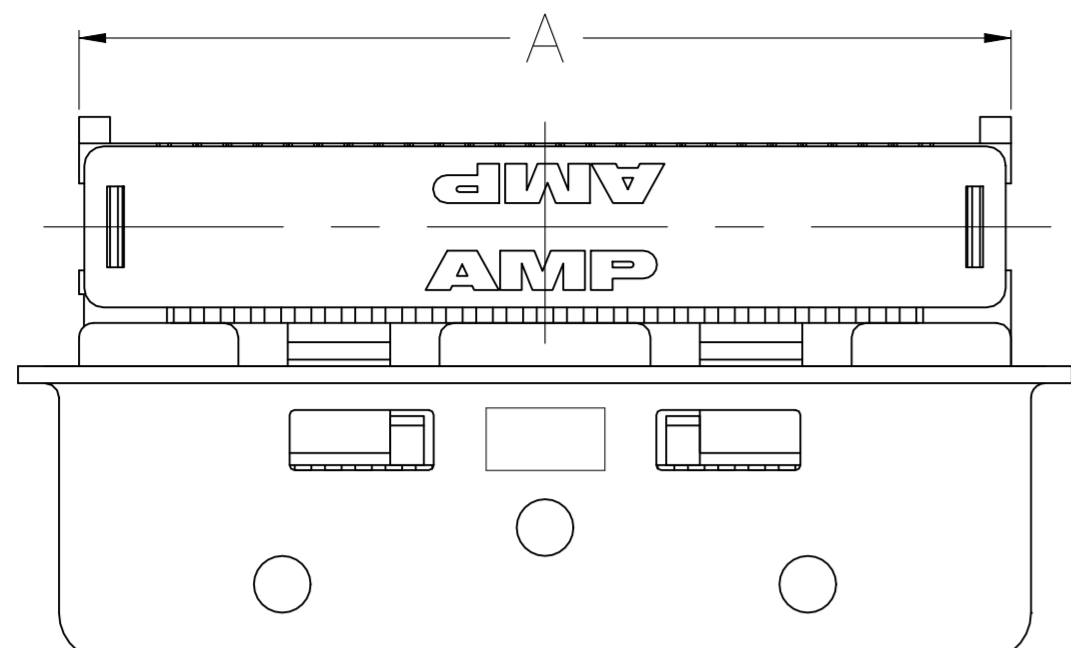


REVISIONS					
P	LTR	DESCRIPTION	DATE	DWN	APVD
P1		CORRECT 0.76 TO 0.076 FOR NOTES 4	24SEP2021	SH	SZ



- 1 MATERIAL:**  
 PLUG CONTACTS – PHOSPHOR BRONZE.  
 PLUG SHELL – STEEL.  
 PLUG HOUSING – UL 94V-0 RATED LCP, COLOR: NATURAL.  
 TERMINATION COVERS – ABS/POLYCARBONATE ALLOY MOLDING COMPOUND, COLOR: BLACK.
- 2 TERMINATION COVERS ARE PACKAGED SEPARATELY.**
- 3. RECOMMENDED WIRE: 30 AWG WITH A 0.56–0.64 INSULATION DIAMETER, WIRE MUST BE APPROVED BY AMP ENGINEERING.**
- 4 FINISH:**  
 PLUG CONTACTS – 0.076 μm MINIMUM GOLD PLATE IN LOCALIZED GOLD PLATE AREA, 1.27 μm MINIMUM BRIGHT TIN PLATE IN TERMINATION AREA, ALL OVER 1.27 μm MINIMUM NICKEL.  
 PLUG SHELL – 5.08 μm MINIMUM NICKEL OVER 1.27 μm MINIMUM COPPER.

35.08	31.57	31.95	31.85	68	5787131-3
22.28	18.77	19.15	19.05	36	5787131-2
27.88	24.37	24.75	24.65	50	5787131-1
D	C	B	A	POSN	PART NUMBER

THIS DRAWING IS A CONTROLLED DOCUMENT.		DWN J. ALCORTA – DOCK5 07-28-05	<b>TE</b> TE Connectivity		
DIMENSIONS: mm		CHK S. SHUEY 07-28-05			
TOLERANCES UNLESS OTHERWISE SPECIFIED:		APVD M. WALMSLEY 07-28-05	NAME PLUG KIT, CABLE CONNECTOR, CHAMP 0.8mm		
0 PLC ± - 1 PLC ± - 2 PLC ± 0.13 3 PLC ± - 4 PLC ± - ANGLES ± 3°		PRODUCT SPEC 108-1471	SIZE A2	CAGE CODE 00779	DRAWING NO C=5787131
MATERIAL <b>1</b>		FINISH <b>4</b>	WEIGHT 0.000000	RESTRICTED TO -	SCALE 5:1
CUSTOMER DRAWING			SHEET 1 of 1	REV P1	

## X-ON Electronics

Largest Supplier of Electrical and Electronic Components

*Click to view similar products for [I/O Connectors](#) category:*

*Click to view products by [TE Connectivity](#) manufacturer:*

Other Similar products are found below :

[571763P](#) [58098-0628](#) [72.250.1628.2](#) [72.250.2428.2](#) [74720-0505](#) [76.350.0729.0](#) [76871-1403](#) [FCN-244F080-G/1](#) [FCN-260A9920](#) [PCR-E36PM](#) [PCS-XE26MA+](#) [G38A71314B](#) [1571250010](#) [157-22500-3](#) [MS3471L14-19P L/C](#) [172501-4002](#) [172501-6002](#) [FCN-260C008-A/L0](#) [FCN-260C024-AL0](#) [FCN-261Z008](#) [2000314-1](#) [200331-1](#) [PCR-E36FC+](#) [PCS-E28FS+](#) [PCS-XE26SLFD+](#) [PCS-XE26SLFDT+](#) [G730VID08BDC24](#) [U90B2054081210](#) [38113800006](#) [DP3AR020WQ1R200](#) [Z4.102.0680.0](#) [500-1040](#) [500-1052](#) [500-1054](#) [ZP-4008-66L](#) [0709821002](#) [DX40-20P\(55\)](#) [5554841-1](#) [MS3474W18-8P-LC\\*](#) [U90B3054061110](#) [U65-E04-4020](#) [ZPF000000000097891](#) [747360449](#) [10099439-003C-TRLF](#) [10137239-0021LF](#) [E9320-001-01](#) [10137239-0011LF](#) [70289-001LF](#) [70.060.1028.0](#) [109029-ZZ](#)