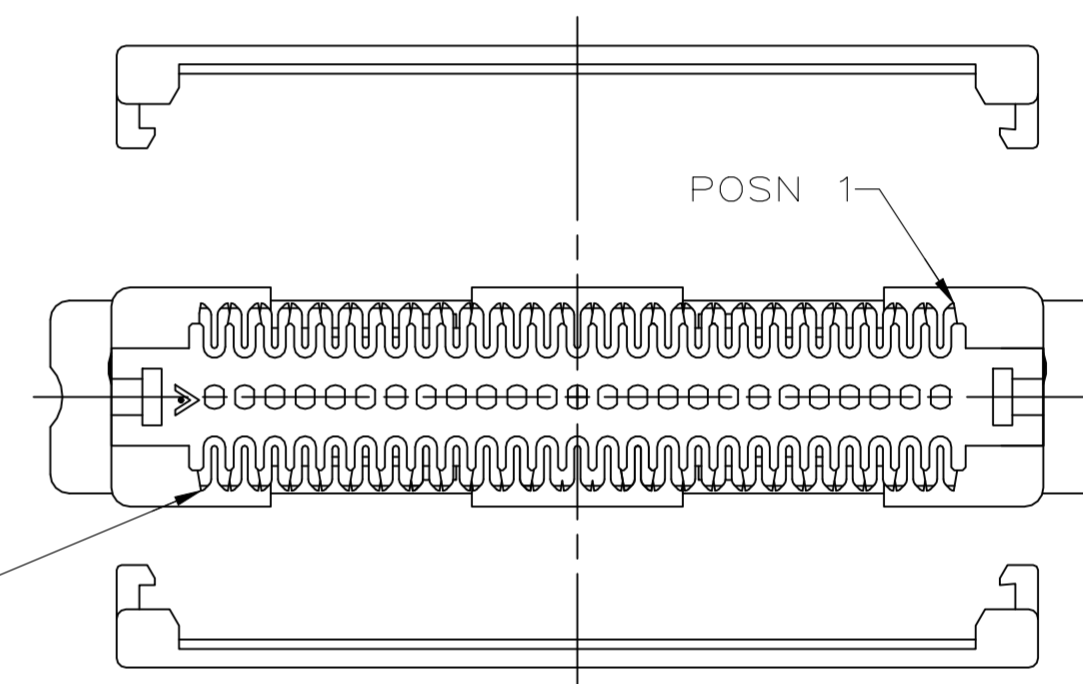
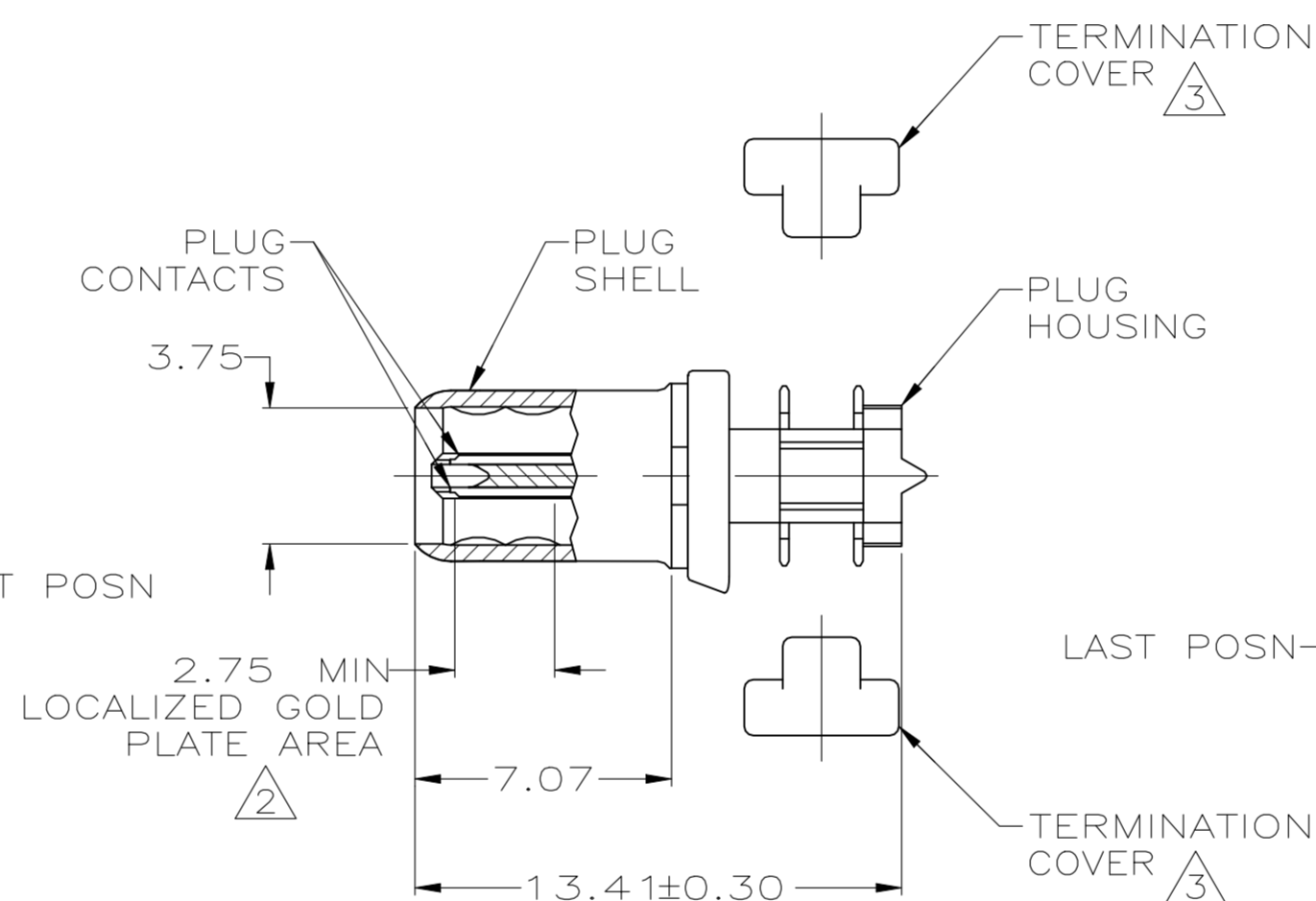
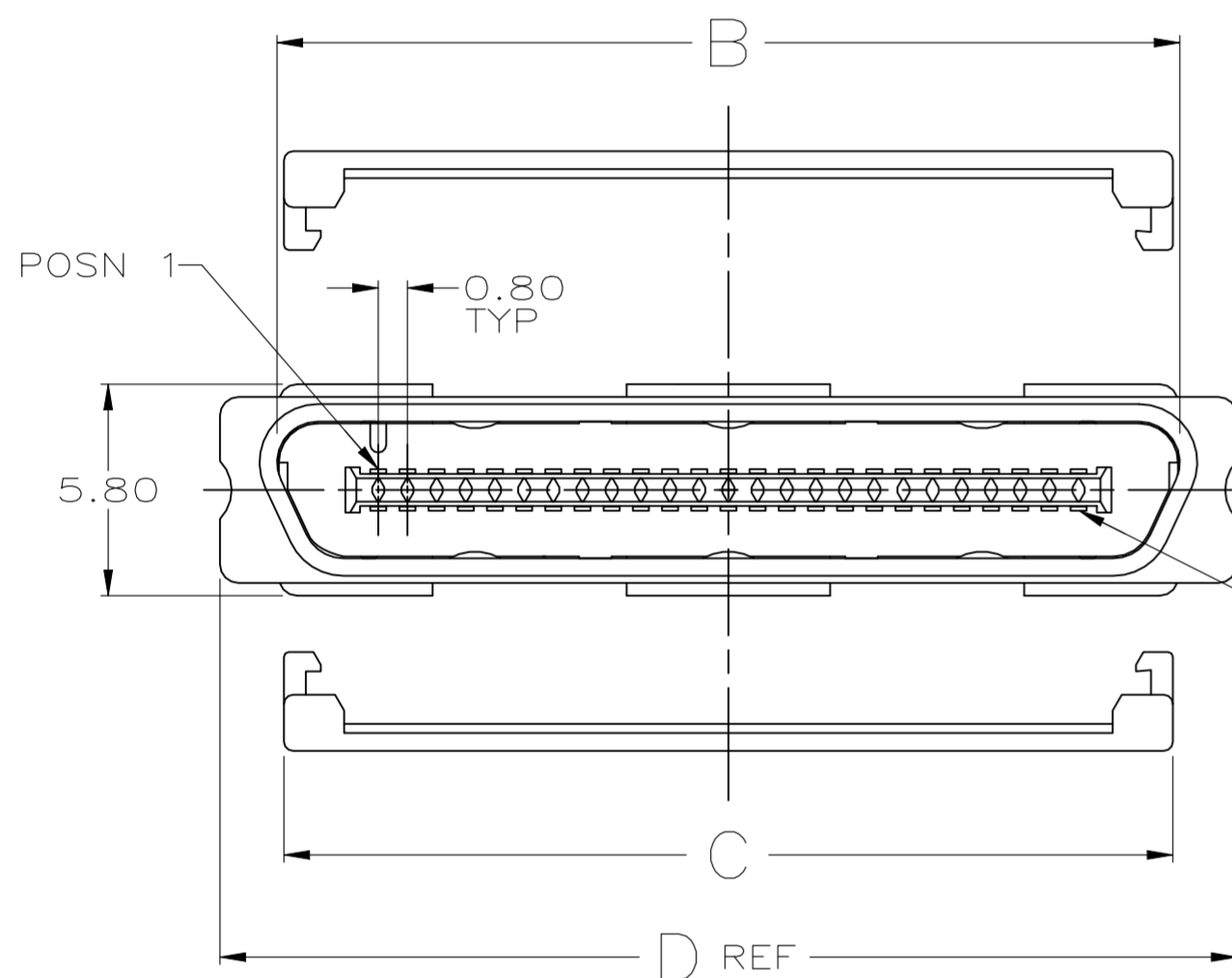
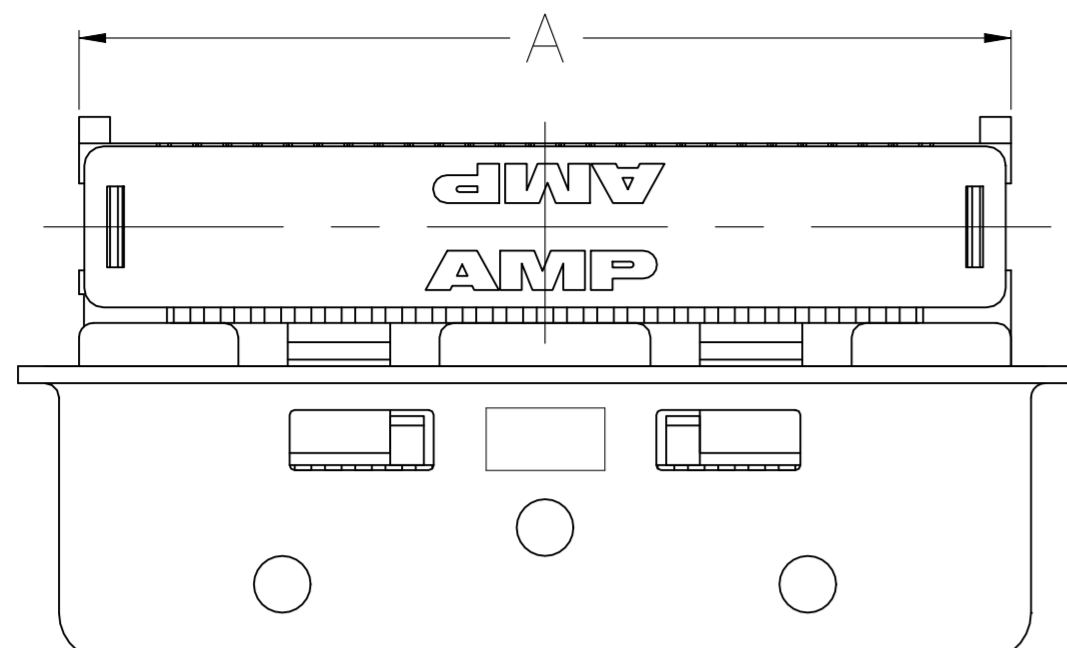


REVISIONS					
P	LTR	DESCRIPTION	DATE	DWN	APVD
P1		CORRECT 0.76 TO 0.076 FOR NOTES 4	24SEP2021	SH	SZ



- 1 MATERIAL:
 - PLUG CONTACTS - PHOSPHOR BRONZE.
 - PLUG SHELL - STEEL.
 - PLUG HOUSING - UL 94V-0 RATED LCP, COLOR: NATURAL.
 - TERMINATION COVERS - ABS/POLYCARBONATE ALLOY MOLDING COMPOUND, COLOR: BLACK.
- 2 TERMINATION COVERS ARE PACKAGED SEPARATELY.
- 3. RECOMMENDED WIRE: 30 AWG WITH A 0.56-0.64 INSULATION DIAMETER, WIRE MUST BE APPROVED BY AMP ENGINEERING.
- 4 FINISH:
 - PLUG CONTACTS - 0.076 μm MINIMUM GOLD PLATE IN LOCALIZED GOLD PLATE AREA, 1.27 μm MINIMUM BRIGHT TIN PLATE IN TERMINATION AREA, ALL OVER 1.27 μm MINIMUM NICKEL.
 - PLUG SHELL - 5.08 μm MINIMUM NICKEL OVER 1.27 μm MINIMUM COPPER.

35.08	31.57	31.95	31.85	68	5787131-3
22.28	18.77	19.15	19.05	36	5787131-2
27.88	24.37	24.75	24.65	50	5787131-1
D	C	B	A	POSN	PART NUMBER

THIS DRAWING IS A CONTROLLED DOCUMENT.		DWN J. ALCORTA - DOCK5 07-28-05																					
DIMENSIONS: mm		CHK S. SHUEY 07-28-05																					
TOLERANCES UNLESS OTHERWISE SPECIFIED:		APVD M. WALMSLEY 07-28-05	NAME PLUG KIT, CABLE CONNECTOR, CHAMP 0.8mm																				
<table border="1"> <tr><td>0 PLC</td><td>±</td><td>-</td></tr> <tr><td>1 PLC</td><td>±</td><td>-</td></tr> <tr><td>2 PLC</td><td>±</td><td>0.13</td></tr> <tr><td>3 PLC</td><td>±</td><td>-</td></tr> <tr><td>4 PLC</td><td>±</td><td>-</td></tr> <tr><td>ANGLES</td><td>±</td><td>3°</td></tr> </table>		0 PLC	±	-	1 PLC	±	-	2 PLC	±	0.13	3 PLC	±	-	4 PLC	±	-	ANGLES	±	3°	PRODUCT SPEC 108-1471	SIZE A2		
0 PLC	±	-																					
1 PLC	±	-																					
2 PLC	±	0.13																					
3 PLC	±	-																					
4 PLC	±	-																					
ANGLES	±	3°																					
MATERIAL		APPLICATION SPEC -	CAGE CODE 00779	DRAWING NO C=5787131	RESTRICTED TO -																		
FINISH		WEIGHT 0.000000	SCALE 5:1	SHEET 1 of 1	REV P1																		
		CUSTOMER DRAWING																					

X-ON Electronics

Largest Supplier of Electrical and Electronic Components

Click to view similar products for [I/O Connectors](#) category:

Click to view products by [TE Connectivity](#) manufacturer:

Other Similar products are found below :

[571763P](#) [58098-0628](#) [72.250.1628.2](#) [72.250.2428.2](#) [74720-0505](#) [76.350.0729.0](#) [76871-1403](#) [FCN-244F080-G/1](#) [FCN-260A9920](#) [PCR-E36PM](#) [PCS-XE26MA+](#) [G38A71314B](#) [1571250010](#) [157-22500-3](#) [MS3471L14-19P L/C](#) [172501-4002](#) [172501-6002](#) [FCN-260C008-A/L0](#) [FCN-260C024-AL0](#) [FCN-261Z008](#) [2000314-1](#) [200331-1](#) [PCR-E36FC+](#) [PCS-E28FS+](#) [PCS-XE26SLFD+](#) [PCS-XE26SLFDT+](#) [G730VID08BDC24](#) [U90B2054081210](#) [38113800006](#) [DP3AR020WQ1R200](#) [Z4.102.0680.0](#) [500-1040](#) [500-1052](#) [500-1054](#) [ZP-4008-66L](#) [0709821002](#) [DX40-20P\(55\)](#) [5554841-1](#) [MS3474W18-8P-LC*](#) [U90B3054061110](#) [U65-E04-4020](#) [ZPF000000000097891](#) [747360449](#) [10099439-003C-TRLF](#) [10137239-0021LF](#) [E9320-001-01](#) [10137239-0011LF](#) [70289-001LF](#) [70.060.1028.0](#) [109029-ZZ](#)