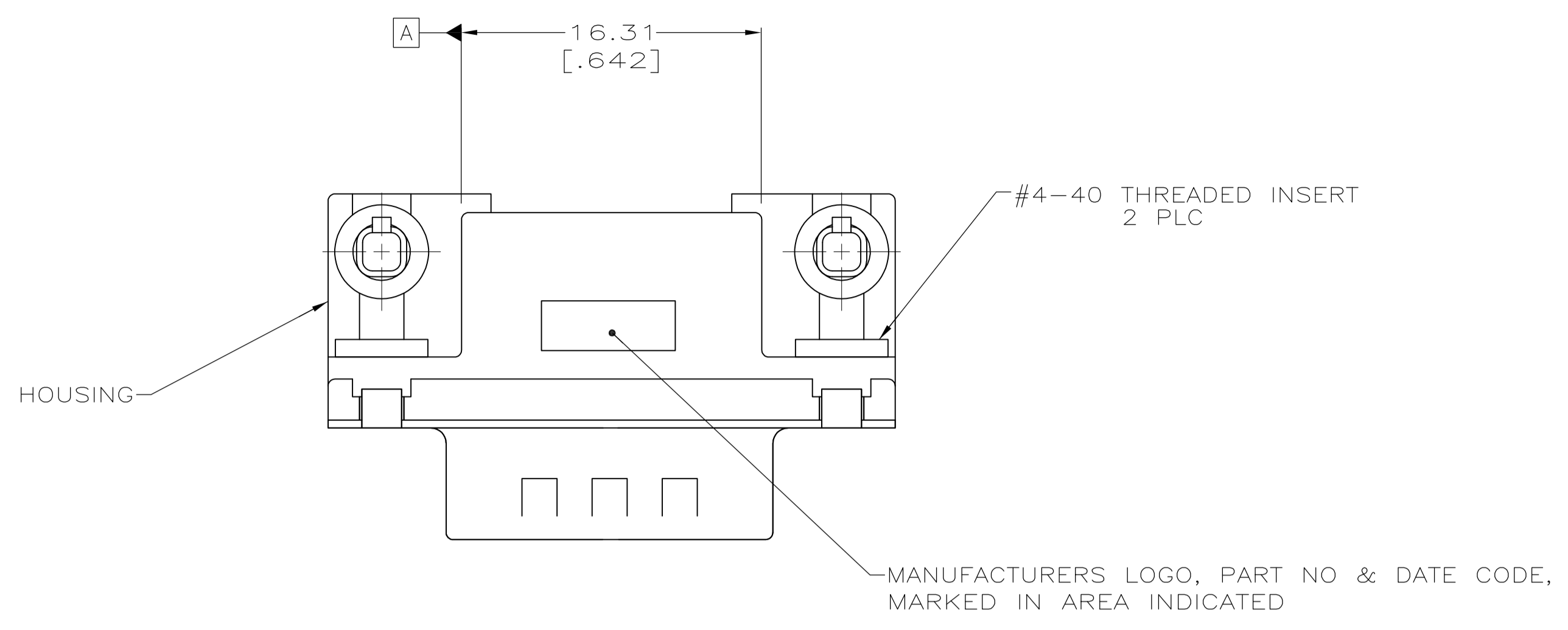
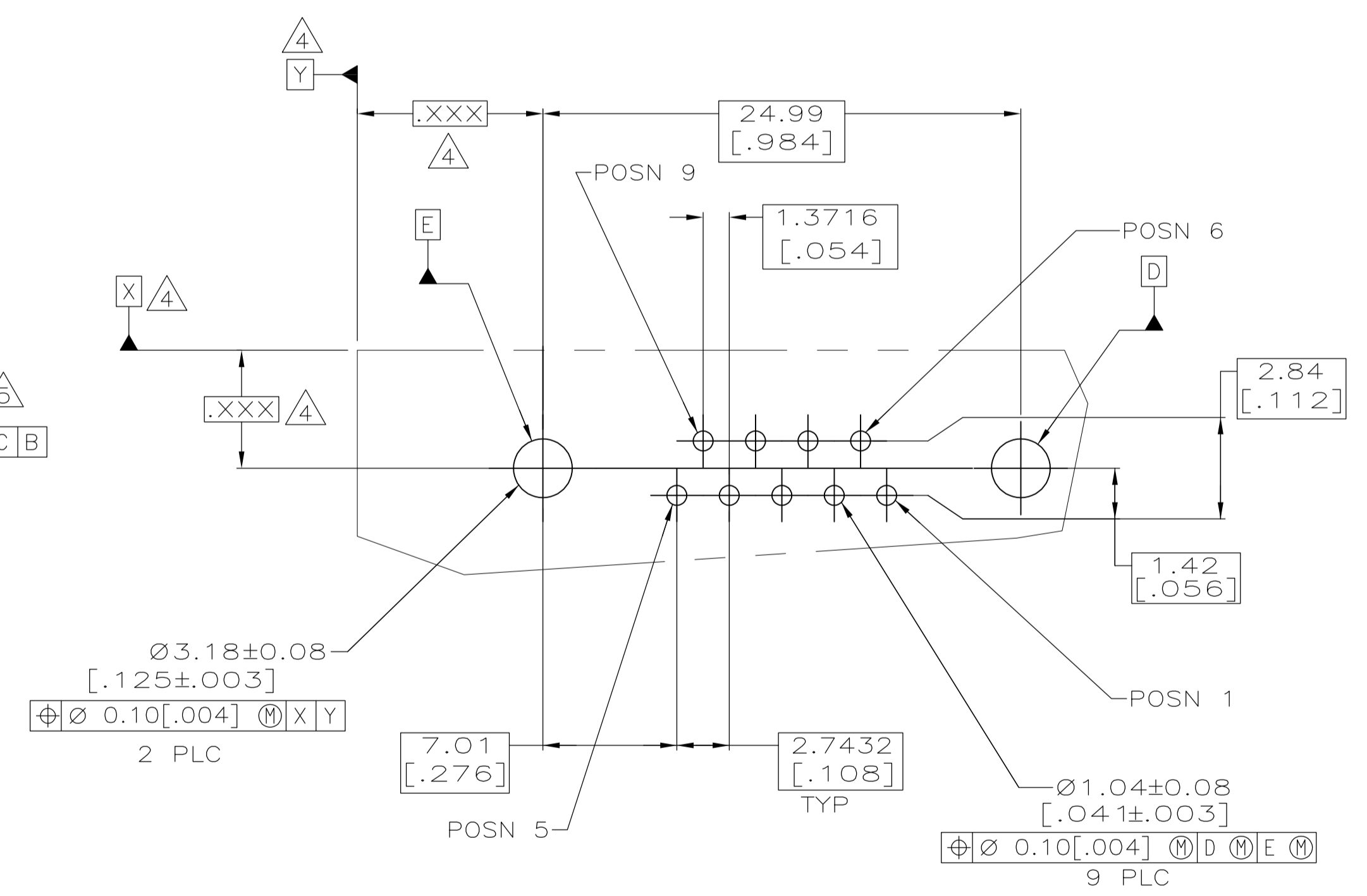
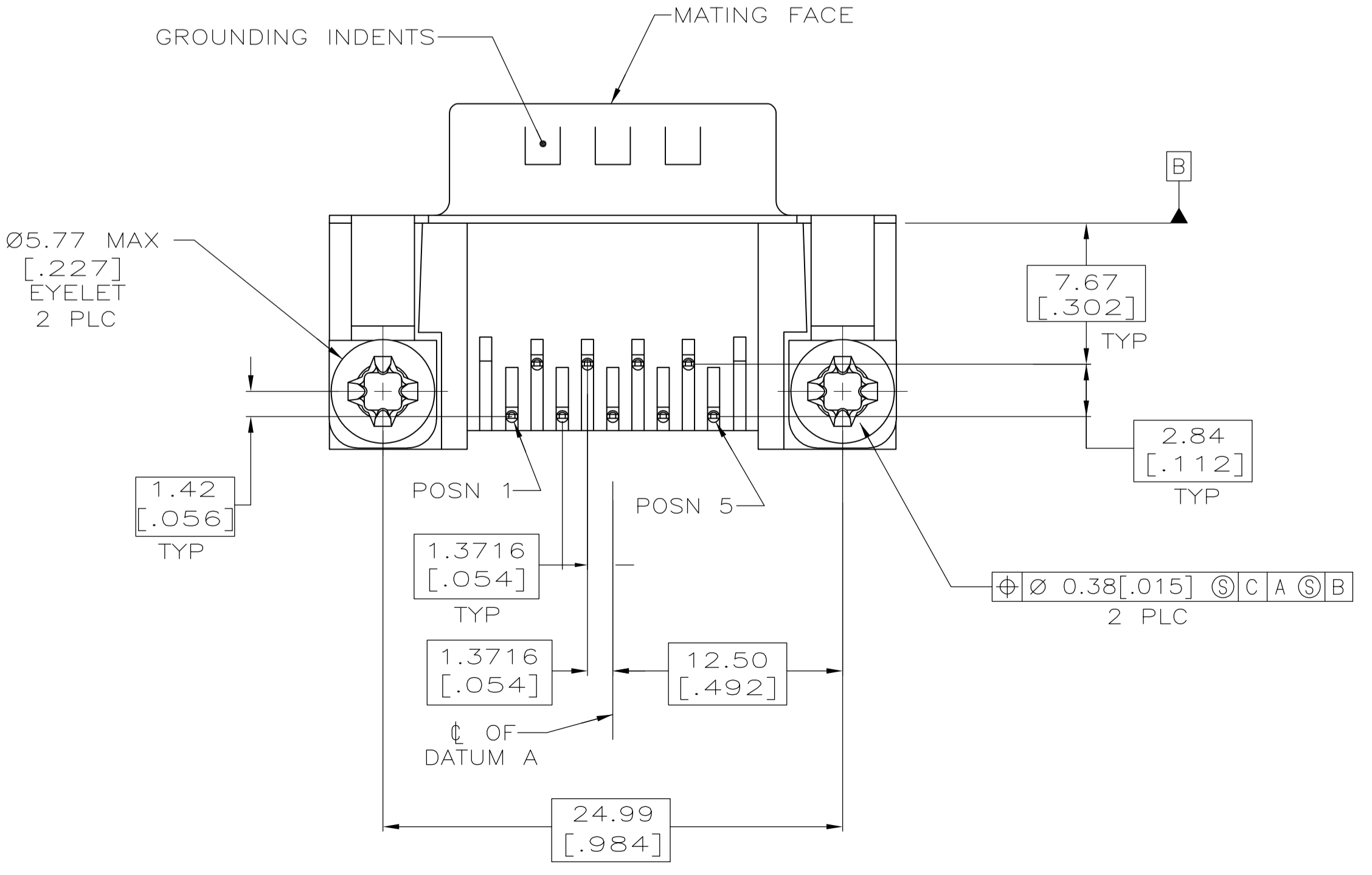
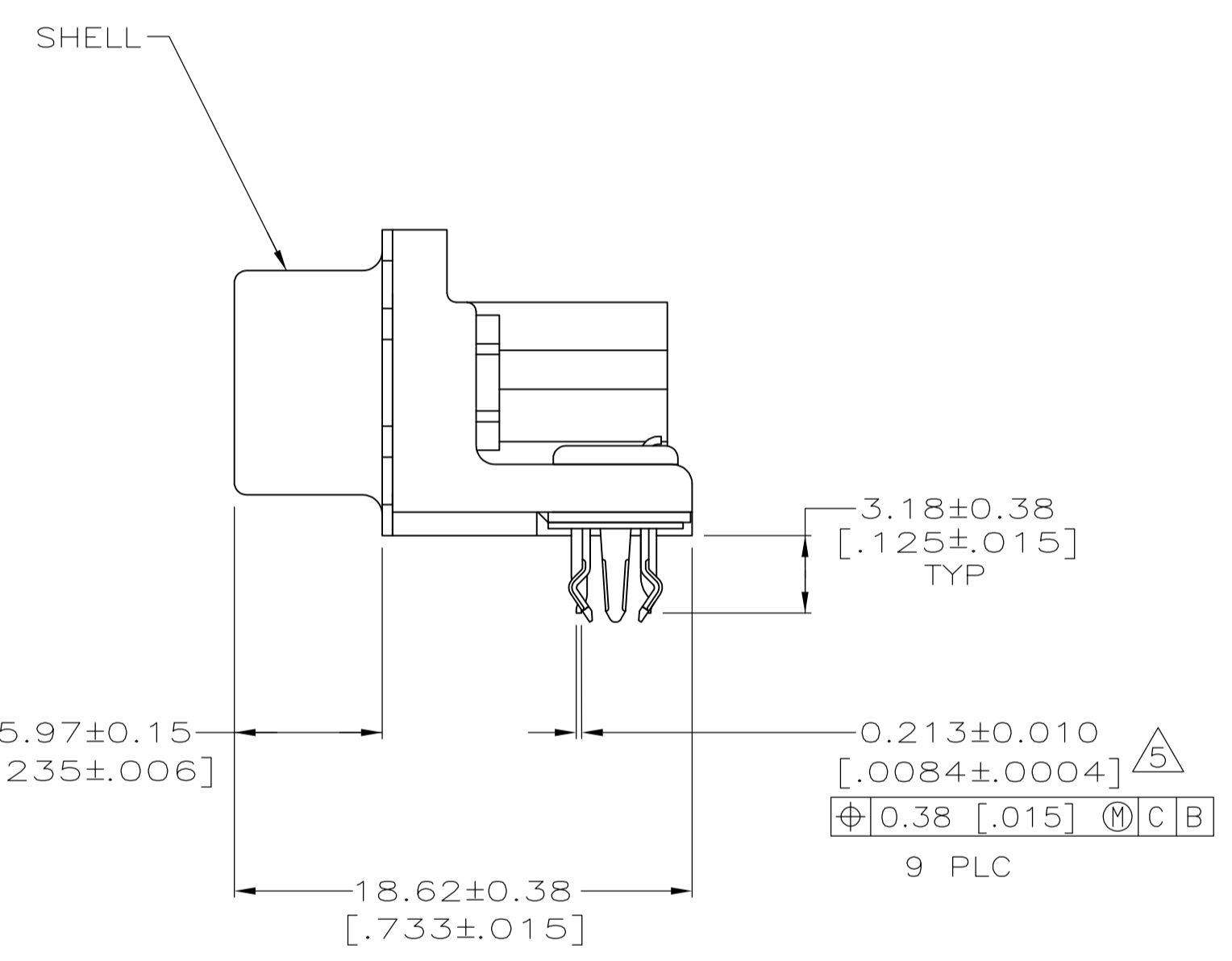
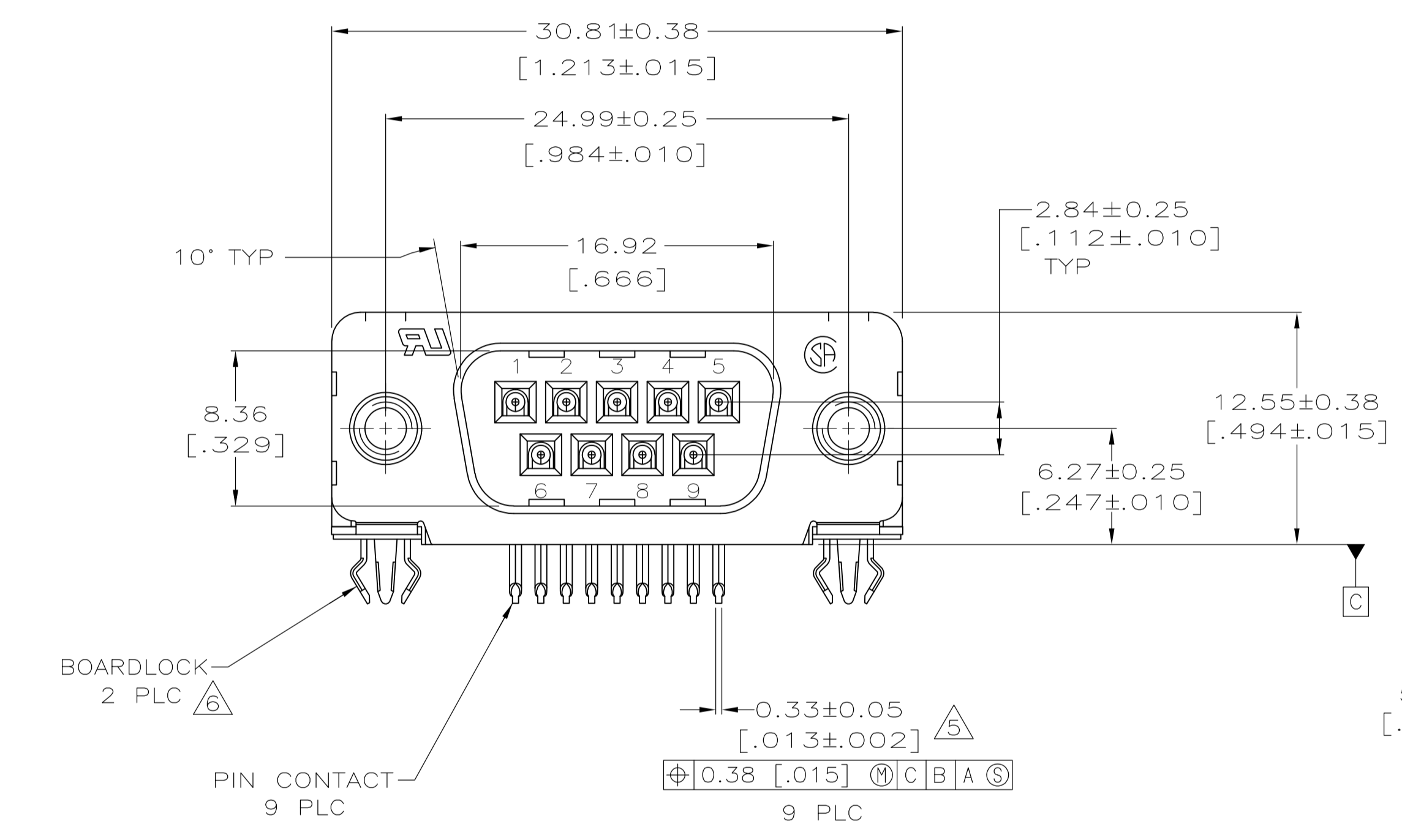


LOC		DIST		REVISIONS			
GP	00	P	LTR	DESCRIPTION	DATE	DWN	APVD
C				REVISED PER ECO-12-022391	02JAN2013	CJV	SLB



- 1 HOUSING: NYLON, UL 94VO RATED, BLACK.
SHELL: CARBON STEEL.
PIN CONTACTS: BRASS.
EYELETS: BRASS.
THREADED INSERTS: ZINC.
BOARDLOCKS: COPPER ALLOY.
- 2 PIN CONTACTS: 0.76μm[.000030] MIN GOLD PLATE ON THE MATING SURFACES, 2.54μm[.000100] MIN TIN PLATE ON THE SOLDER END, 1.27μm[.000050] MIN NICKEL UNDERPLATE ON THE ENTIRE CONTACT
-OR-
GOLD FLASH OVER PALLADIUM-NICKEL PLATE, 0.76μm[.000030] MIN TOTAL ON THE MATING SURFACES, 2.54μm[.000100] MIN TIN PLATE ON THE SOLDER END, 1.27μm[.000050] MIN NICKEL UNDERPLATE ON THE ENTIRE CONTACT.
EYELETS: 2.54μm[.000100] MIN TIN OVER COPPER FLASH.
SHELL: 2.54μm[.000100] MIN TIN OVER 1.27μm[.000050] MIN COPPER.
THREADED INSERTS: CLEAR CHROMATE.
BOARDLOCKS: 3.81μm[.000150] MIN TIN OVER 1.27μm[.000050] MIN NICKEL.
- 3 PIN CONTACTS: GOLD FLASH ON THE MATING SURFACES, 2.54μm[.000100] MIN TIN PLATE ON THE SOLDER END, 1.27μm[.000050] MIN NICKEL UNDERPLATE ON THE ENTIRE CONTACT.
EYELETS: 2.54μm[.000100] MIN TIN OVER COPPER FLASH.
SHELL: 2.54μm[.000100] MIN TIN OVER 1.27μm[.000050] MIN COPPER.
THREADED INSERTS: CLEAR CHROMATE.
BOARDLOCKS: 3.81μm[.000150] MIN TIN OVER 1.27μm[.000050] MIN NICKEL.
- 4 DATUMS AND BASIC DIMENSIONS ESTABLISHED BY CUSTOMER.
- 5 POSITION TOLERANCE APPLIES AT CONTACT TIP.
- 6 BOARDLOCKS WILL ACCEPT .062 MAX PRINTED CIRCUIT BOARD THICKNESS.
- 7. COMPATIBLE WITH REFLOW SOLDERING APPLICATIONS TO A MAXIMUM OF 225°C FOR A MAXIMUM DURATION OF 90 SECONDS. TEMPERATURE TO BE MEASURED ON CONNECTOR SURFACE.



RECOMMENDED PC BOARD LAYOUT
1.57 [.062] PC BOARD THICKNESS

3	5788792-2
2	5788792-1
FINISH	PART NO

THIS DRAWING IS A CONTROLLED DOCUMENT. DIMENSIONING AND TOLERANCING PER ASME Y14.5M-2009		DIN L VARELA - DOCKS 04-11-05		S BOLASH 04-11-05		M WALMSLEY 04-11-05		NAME	
DIMENSIONS: mm [INCHES]		TOLERANCES UNLESS OTHERWISE SPECIFIED:		PRODUCT SPEC		APPLICATION SPEC		RESTRICTED TO	
0 PLC ± -		1 PLC ± -		108-40025		114-40010		SIZE CAGE CODE DRAWING NO	
2 PLC ± 0.13 [.005]		3 PLC ± -		114-40010		A1 00779		SCALE 4:1 SHEET 1 OF 1 REV C	
4 PLC ± -		ANGLES ± ±		CUSTOMER DRAWING		SCALE 4:1 SHEET 1 OF 1 REV C		WEIGHT	
MATERIAL		FINISH		SEE TABLE		CUSTOMER DRAWING		SCALE 4:1 SHEET 1 OF 1 REV C	

**COPYRIGHT 2005
TYCO ELECTRONICS CORP
ALL RIGHTS RESERVED**



TE Connectivity
PLUG ASSEMBLY, SIZE 1, .318 SERIES, WITH FRONT METAL SHELL, HIGH TEMPERATURE, AMPLIMITE HD-20

X-ON Electronics

Largest Supplier of Electrical and Electronic Components

Click to view similar products for [D-Sub Standard Connectors](#) category:

Click to view products by [TE Connectivity](#) manufacturer:

Other Similar products are found below :

[56F711-015](#) [012-9507-004](#) [LV242999-142T12](#) [015-0341-000](#) [015-0349-000](#) [015-0372-005](#) [015-0372-008](#) [015-8755-001](#) [020419-0104](#) [012-0467-000](#) [012-0515-000](#) [012-9507-034](#) [012-9507-114](#) [020745-0008](#) [609-25P](#) [M24308/2-23Z](#) [CT2-14S-2PCA34](#) [CT2-18-11PCAU](#) [CT2-36-15SC](#) [CT6-14S-2SC](#) [CT6E14SA7SC](#) [CT6E22-14PC](#) [CT6E22-14PS](#) [CT6E22-22PS](#) [M83513/01-FC](#) [M85049/48-3-2F](#) [6STD09PCM99B70X](#) [6STD09SCM99B30X](#) [6STD09SCT99S40X](#) [6STD15PCT99S40X](#) [6STD15SCM99B30X](#) [6STD15SCT99S40X](#) [6STF09PCM05B70X](#) [7-135760-9](#) [MC11E-10-6SN](#) [747552-3](#) [MD1-21PS](#) [MDM-15SCBRM7-F222](#) [MDM96517-699](#) [MDM96521-744](#) [MDVB1-21SL1](#) [MIK0-1-7SH003](#) [MIKQ6-7SH076](#) [MIKQ7-7PH077](#) [MIKQ7-7PH11](#) [MIKQ7-7PH32](#) [MIKQ9-7PH003](#) [MJSV-28SL61](#) [MKJ4A1F14-55S](#) [8-135760-3](#)