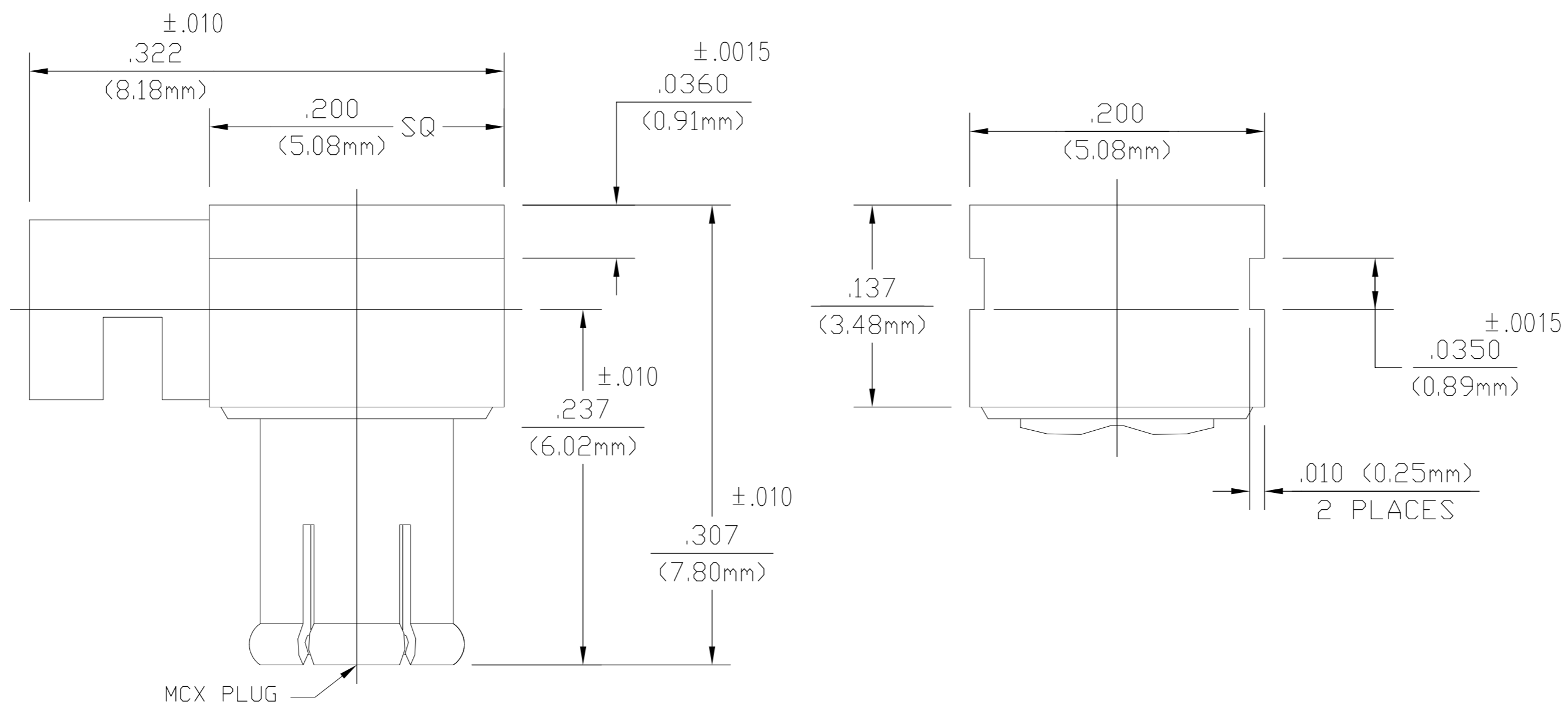


THIS DRAWING IS UNPUBLISHED. RELEASED FOR PUBLICATION
 © COPYRIGHT BY TYCO ELECTRONICS CORPORATION. ALL RIGHTS RESERVED.

LOC		DIST		REVISIONS					
AJ		00		P	LTR	DESCRIPTION	DATE	DWN	APVD
				B		REV PER ECO 07-027463	17DEC2007	DW	JL



1. SEE INSTRUCTION SHEET 408-4632

MCX PLUG

ELECTRICAL	MECHANICAL	ENVIRONMENTAL
Nominal Impedance (Ohms) <u>50</u>	Force to Engage (Lbs MAX) <u>3.4</u>	Temperature Rating <u>-65°C TO 165°C</u>
Frequency Range (GHz) <u>DC TO 4.0</u>	Force to Disengage (Lbs) <u>1.77 min, 4.5 max</u>	Vibration <u>MIL-STD-202, Method 204, Condition B</u>
Voltage Rating (VRMS MAX) <u>335 @ Sea level</u>	Center Contact Captivation: <u>Axial 4.5lbs @ 1 minute with .006" displacement</u>	Thermal shock <u>MIL-STD-202, Method 102, Condition C</u>
VSWR <u>1.15:1 MAX</u>	Cable Retention <u>Axial (Lbs) 24.5 lbs min</u>	Moisture Resistance <u>MIL-STD-202, Method 106D, 10 cycles 24 hours</u>
Insertion Loss <u>.1dB x FGHZ</u>		Corrosion <u>MIL-STD-202, Method 101, Condition B</u>
Corona, 70,000 Ft (VRMS MIN) <u>250 D.W.V.</u>		
(VRMS MIN) <u>1000</u>		
Contact Resistance		
Center Contact (Milliohms MAX) <u>5.0</u>		
Outer Contact (Milliohms MAX) <u>1.0</u>		
Cable To Housing (Milliohms MAX) <u>1.0</u>		
RF High Potential (VRMS MIN @ 5 MHz) <u>670</u>		
I.R. (Megohms Min) <u>10,000</u>		

NOTES:
 1. DESIGNED FOR USE WITH RG 174/U, RG 188/U, RG 316/U FLEX CABLE

1060778-1
PART NUMBER
CABLE ENTRY DIAMETER MINIMUM
CONTACT .024 SLOT
HOUSING .095

COMPONENT	MATERIAL	FINISH
HOUSING CAP CENTER CONTACT	BRASS PER QQ-B-626 COMP. 360	GOLD PLATE PER MIL-G-45204
DIELECTRIC	TFE FLUOROCARBON PER ASTM-D-1457, MIL-P-19468, AND FED. SPEC L-P-403	N/A
CONTACT FINGER	BERYLLIUM COPPER PER ASTM B 196, ALLOY C 17300, CONDITION H	GOLD PLATE PER MIL-G-45204

THIS DRAWING IS A CONTROLLED DOCUMENT.		DWN E.F. HOYLE 10/2/90	Tyco Electronics Corporation Harrisburg, PA 17105-3608	
DIMENSIONS: INCHES		CHK K.C.MAHER 10/6/90	NAME	
TOLERANCES UNLESS OTHERWISE SPECIFIED:		APVD D.R.L 10/8/90	MCX RIGHT ANGLE CABLE PLUG SOLDER ATTACHMENT (5807-5001-09)	
0 PLC ± -	1 PLC ± -	PRODUCT SPEC	SIZE A2	CAGE CODE 00779
2 PLC ± -	3 PLC ± .005 (0.12)	APPLICATION SPEC	DRAWING NO C=1060778-1	RESTRICTED TO
4 PLC ± -	ANGLES ± 1°	WEIGHT -	SCALE 1:1	SHEET 1 of 1
MATERIAL -	FINISH -	CUSTOMER DRAWING	REV B	

X-ON Electronics

Largest Supplier of Electrical and Electronic Components

Click to view similar products for [TE Connectivity](#) manufacturer:

Other Similar products are found below :

[D38999/24FJ4AN](#) [570416-000](#) [CLTEQ-M81CE-SSRELAY-4-20V](#) [4-1195131-0](#) [650069-000](#) [SMD100-2](#) [358838-000](#) [CB-1022B-78](#)
[RM707012](#) [RP410012](#) [MMS42](#) [1-640426-8](#) [2EDL4CM](#) [DTS20W19-11PD-3028-LC](#) [RM202615](#) [NC6-P104-06](#) [MSPS103B](#) [DTS26F21-](#)
[41HE-LC](#) [DTS26F21-41AE](#) [DTS26F21-41PE-LC](#) [DTS26F21-11SE-3028-LC](#) [30DCB6](#) [1932144-1](#) [293545-4](#) [LVR125S](#) [MS27466T25F4PB](#)
[CKB-38-78010](#) [TR04AI-TINELLOCKRING](#) [1206SFF150F/63-2](#) [D38999/20JB35HA](#) [TE1500A2R2J](#) [D38999/20WC8BB](#) [DTS24F19-11SC-](#)
[3028-LC](#) [D38999/24WG11HA](#) [D38999/24WG11HN](#) [MS27467T21F11H](#) [DJT16E21-11HA](#) [MS27467T21F35J](#) [MS27467T21F11J](#)
[MS27467T21F16H-LC](#) [MS27467T21F35H](#) [MS27467T21F41H-LC](#) [1206SFH150F/24-2](#) [RP330024](#) [DJT16E21-11PA-LC](#) [DJT16E21-11HA-](#)
[LC](#) [DJT16E21-11AA](#) [MS27467T21B11JA](#) [DJT16E21-11JA](#) [MS27467T21B11JA-LC](#)