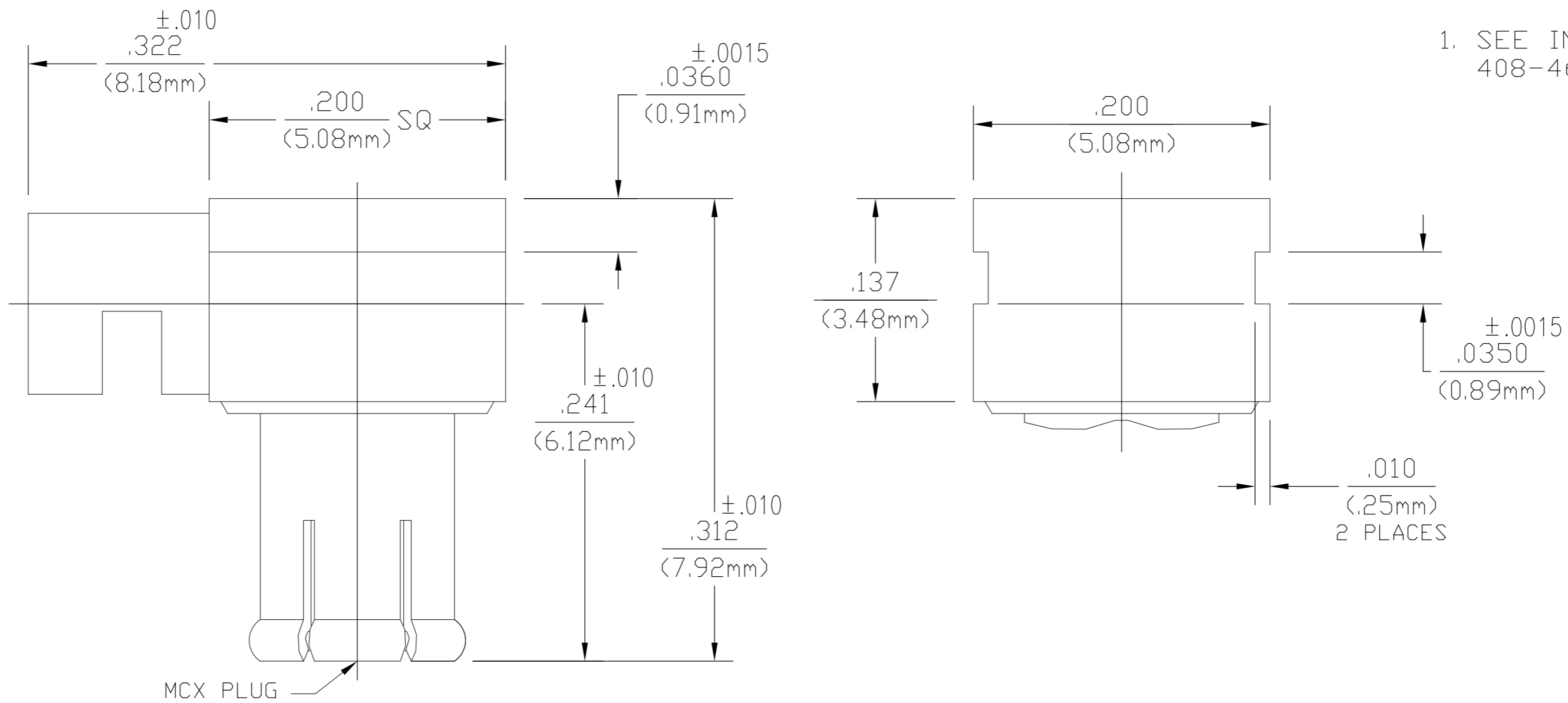


THIS DRAWING IS UNPUBLISHED. RELEASED FOR PUBLICATION  
 © COPYRIGHT BY TYCO ELECTRONICS CORPORATION. ALL RIGHTS RESERVED.

LOC	DIST	REVISIONS					
AJ	00	P	LTR	DESCRIPTION	DATE	DWN	APVD
		B		REV PER ECO 07-027463	17DEC07	DW	JL



**ELECTRICAL**  
 Nominal Impedance (Ohms) 50  
 Frequency Range (GHz) DC TO 6.0  
 Voltage Rating  
 (VRMS MAX) 335 @ Sea level  
 VSWR 1.25 MAX @ 4 GHz  
1.35 MAX @ 6 GHz  
 Insertion Loss .1dB x FGHz  
 Corona, 70,000 Ft (VRMS MIN) 250  
 D.W.V.  
 (VRMS MIN) 1000  
 Contact Resistance  
 Center Contact (Milliohms MAX) 5.0  
 Outer Contact (Milliohms MAX) 1.0  
 Cable To Housing (Milliohms MAX) 1.0  
 RF High Potential  
 (VRMS MIN @ 5 MHz) 670  
 I.R. (Megohms Min) 10,000

**MECHANICAL**  
 Force to Engage (MAX)  
3.4lbs  
 Force to Disengage (Lbs)  
4.5 max 1.77 min  
 Center Contact Captivation:  
 Designed to maintain DSX  
 interface when mating  
 Cable Retention  
 Axial 24.5 lbs min

**ENVIRONMENTAL**  
 Temperature Rating  
-65°C TO 165°C  
 Vibration  
MIL-STD-202, Method 204,  
Condition B  
 Thermal shock  
MIL-STD-202, Method 102,  
Condition C  
 Moisture Resistance  
MIL-STD-202, Method 106,  
96 hours  
 Corrosion  
MIL-STD-202,  
Method 101, Condition A

1060787-1
PART NUMBER
DESIGNED FOR USE WITH .085 SEMI-RIGID CABLE CABLE ENTRY DIAMETER MINIMUM
CONTACT .024 SLOT
HOUSING .089

HOUSING CAP CENTER CONTACT	BRASS PER QQ-B-626 COMP. 360	GOLD PLATE PER MIL-G-45204
DIELECTRIC	TFE FLUOROCARBON PER ASTM-D-1457	N/A
CONTACT FINGER	BERYLLIUM COPPER PER ASTM B 196, ALLOY C 17300, CONDITION H	GOLD PLATE PER MIL-G-45204
COMPONENT	MATERIAL	FINISH
THIS DRAWING IS A CONTROLLED DOCUMENT.		
DIMENSIONS: INCHES	TOLERANCES UNLESS OTHERWISE SPECIFIED:	0 PLC ± - 1 PLC ± - 2 PLC ± - 3 PLC ± .005 (0.12) 4 PLC ± - ANGLES ± 1°
MATERIAL	FINISH	
DWN JOSEPH DINSMORE 7/5/95 CHK - APVD D.CAMELIO 7/5/95 PRODUCT SPEC APPLICATION SPEC		Tyco Electronics Corporation Harrisburg, PA 17105-3608
WEIGHT -		NAME MCX RIGHT ANGLE CABLE PLUG SOLDER ATTACHMENT (5807-7985-09)
CUSTOMER DRAWING		SIZE A2 CAGE CODE 00779 DRAWING NO. 1060787-1 RESTRICTED TO -
SCALE 1:1		SHEET 1 of 1 REV B

## X-ON Electronics

Largest Supplier of Electrical and Electronic Components

*Click to view similar products for [RF Connectors / Coaxial Connectors](#) category:*

*Click to view products by [TE Connectivity](#) manufacturer:*

Other Similar products are found below :

[8915-1511-000](#) [89674-0827](#) [6001-7071-019](#) [6002-7051-003](#) [6002-7551-202](#) [6059674-1](#) [619550-1](#) [630059-000](#) [M39030/3-01N](#) [6500-7071-046](#) [6769](#) [CX050L2AQ](#) [7002-1541-010](#) [7002-1542-011](#) [7004-1512-000](#) [7009-1511-004](#) [7010-1511-000](#) [7029-1511-060](#) [7101-1541-010](#) [7101-1571-002](#) [7145-1521-002](#) [7203-1571-003](#) [7209-1511-011](#) [7210-1511-015](#) [7210-1511-019](#) [73137-5015](#) [73216-2241](#) [73404-2300](#) [7405-1521-005](#) [7405-1521-802](#) [8527](#) [8547](#) [FS11V](#) [877931](#) [8808-1511-001](#) [9049-9513-000](#) [9074-9513-000](#) [9101-9573-002](#) [910A205F](#) [9130-9573-002](#) [PL11SC-026](#) [PL375-33](#) [PL40-5](#) [PL74C-221](#) [PL75MC-217](#) [PL803-7](#) [1200690078](#) [1-201144-1](#) [R107003010W](#) [R110A172100](#)