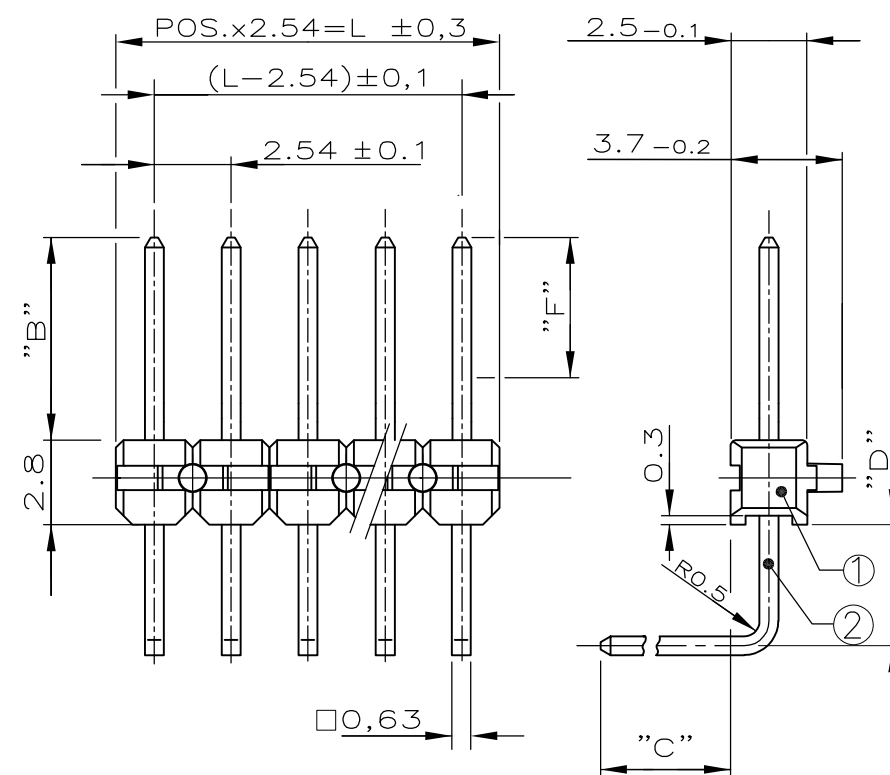


THIS DRAWING IS UNPUBLISHED. RELEASED FOR PUBLICATION
 © COPYRIGHT - By - ALL RIGHTS RESERVED.

LOC	DIST	REVISIONS					
A1	-	P	LTR	DESCRIPTION	DATE	DWN	APVD
		M1		REVISED PER ECO-14-018460	12MAY2015	NG	PS

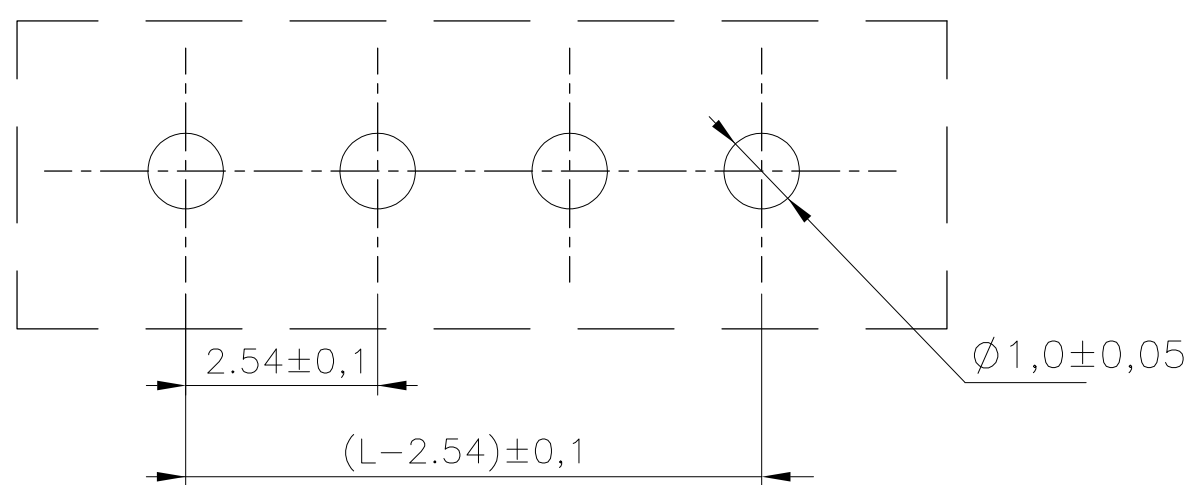
DIMENSIONS				PART NUMBER	
"B"	"D"	"C"	"F"	SEL. GOLD PLATED ¹	TIN PLATED ²
6,7	1,5	3,2	4,4	825437	
6,7	4,0	5,7	4,4	825438	
6,7	6,6	8,3	4,4	825439 ³	
4	4,0	6,7	4,0	826304 ³	
5,8	1,5	3,2		826314	OBSOLETE



NOTES:

- ¹ MATING SIDE: MIN. 0.7µm PdNi + 0.1µm GOLD FLASH BY AREA "F" OVER 1,27µm NICKEL
 SOLDER SIDE: MIN. 2,5µm TIN OVER 1,27µm NICKEL
- ² 2µm TIN OVER 1,27µm NICKEL
- ³ TOLERANCE NOT CUMULATIVE
- ⁴ OBSOLETE
- ⁵ THE NO. OF POSITION PER ROW HAS TO BE ADDED TO BASE NO. AS A DASH NO. EG. 2-825438-0 = 20 POSITIONS.

RECOMMENDED PCB LAYOUT



²	CONTACT PIN	CuZn	¹ ²
¹	PIN HOUSING	PBT	COLOR: GREEN
ITEM NO.	DESCRIPTION	MATERIAL	FINISH

THIS DRAWING IS A CONTROLLED DOCUMENT.

DIMENSIONS: mm	TOLERANCES UNLESS OTHERWISE SPECIFIED: ±0.2 mm	DWN 06SEP2013 MOHAMMED THAJUDEEN	TE Connectivity AMPMODU II PIN HEADER 90DEG, SINGLE ROW
	0 PLC ± -	CHK 06SEP2013 PRASHANTH S	
MATERIAL SEE TABLE	1 PLC ± -	APVD 06SEP2013 RAJENDRA PAI	
	2 PLC ± -	PRODUCT SPEC 108-18012	
	3 PLC ± -	APPLICATION SPEC	SIZE CAGE CODE DRAWING NO RESTRICTED TO
	4 PLC ± -	WEIGHT -	A3 00779 C-825438
	ANGLES ± 1°	CUSTOMER DRAWING	SCALE 1:1 SHEET 1 OF 1 REV M1

X-ON Electronics

Largest Supplier of Electrical and Electronic Components

Click to view similar products for [Headers & Wire Housings](#) category:

Click to view products by [TE Connectivity](#) manufacturer:

Other Similar products are found below :

[95000-104TRLF](#) [10135584-644402LF](#) [DF62W-EP2022PCA](#) [95000-106TRLF](#) [DF62W-2022SCA](#) [DF62W-EP2022PC](#) [2203348](#) [DF62W-2022SC](#) [1084018](#) [1029039](#) [1084017](#) [802-10-012-10-002000](#) [1112640](#) [1112639](#) [000-34000](#) [0009482033](#) [0009507031](#) [57102-S06-03LF](#) [57202-S52-04LF](#) [PCN6-15S-2.5E](#) [0039019024](#) [58102-G61-06LF](#) [582553-1](#) [0009508121](#) [0050291907](#) [018731A](#) [LY20-4P-DT1-P1E-BR](#) [02.125.8002.8](#) [60101931](#) [60598-1 \(Cut Strip\)](#) [M1625-3R/100](#) [61062-3](#) [61082-181009](#) [636-1427](#) [638009-1](#) [641938-9](#) [641991-4](#) [644168-1](#) [647662-1](#) [65039-019ELF](#) [65817-002LF](#) [65817-015LF](#) [65863-015LF](#) [66207-023LF](#) [67016-026LF](#) [67046-001LF](#) [67095-007LF](#) [68002-116](#) [68016-236H](#) [68648-049](#)