

LOC	DIST
—	—

REVISIONS

P	LTR	DESCRIPTION	DATE	DWN	APVD
G		Contact pin base material change from CuSn (Phosphor bronze) to CuZn (Brass). Plating change from min. 0.8microns gold plating to min. 0.7µm Pd Ni + 0.1µm gold flash at contact area (Area F).	24JUN2014	TJ	JK

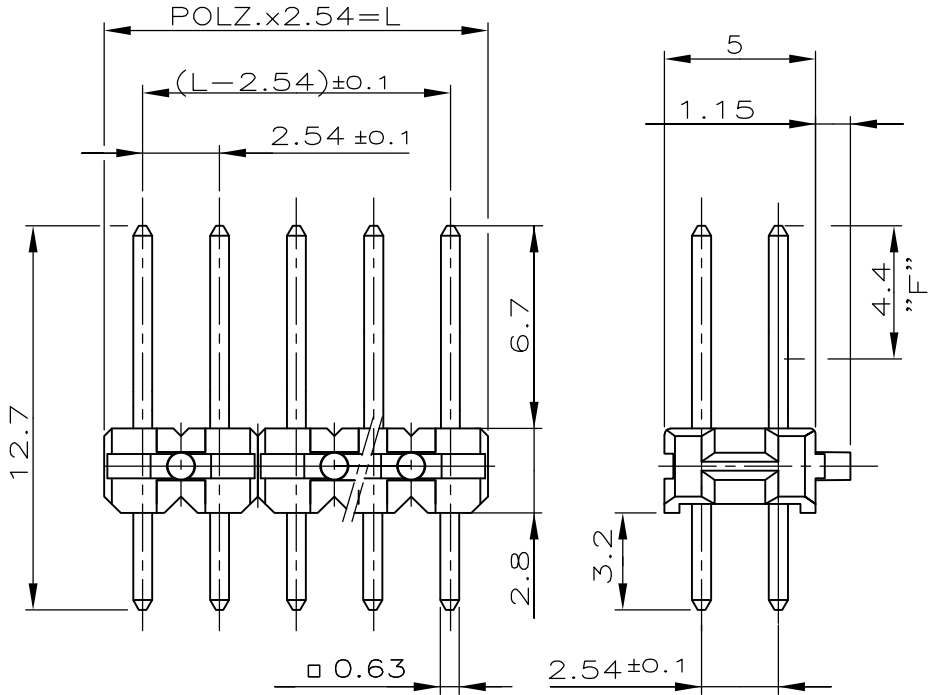
NUMMER 825440

VERWENDET FÜR  
E 92-9802

WAR NR. —

CAD-ORIGINAL  
ZEICHNUNG NICHT ÄNDERN

POLZ. PRO REIHE	L±0.5	BESTELL-NR.
—	—	—
2	5.08	825 440 -2
3	7.62	-3
4	10.16	-4
5	12.70	-5
6	15.24	-6
7	17.78	-7
8	20.32	-8
9	22.86	-9
10	25.40	1- -0
11	27.94	1- -1
12	30.48	1- -2
13	33.02	1- -3
14	35.56	1- -4
15	38.10	1- -5
16	40.64	1- -6
17	43.18	1- -7
18	45.72	1- -8
19	48.26	1- -9 <sup>4</sup> △
20	50.80	2- -0
21	53.34	2- -1 <sup>4</sup> △
22	55.88	2- -2 <sup>3</sup> △
23	58.42	2- -3
24	60.96	2- -4
25	63.50	2- -5
26	66.04	2- -6 <sup>4</sup> △
27	68.58	2- -7 <sup>4</sup> △
28	71.12	2- -8 <sup>4</sup> △
29	73.66	2- -9
30	76.20	3- -0 <sup>4</sup> △
31	78.74	3- -1 <sup>4</sup> △
32	81.28	3- -2
33	83.82	3- -3
34	86.36	3- -4
35	88.90	3- -5 <sup>4</sup> △
36	91.44	3- -6 <sup>4</sup> △
37	93.98	3- -7
38	96.52	3- -8
39	99.06	3- -9
40	101.60	4- -0 <sup>4</sup> △
41	104.14	4- -1
42	106.68	4- -2
43	109.22	4- -3
44	111.76	4- -4
45	114.30	4- -5
46	116.84	4- -6
47	119.38	4- -7
48	121.92	4- -8
49	124.46	4- -9
50	127.00	5- 825 440 -0



<sup>1</sup>△ STECKSEITE: IM BEREICH "F" MIN 0.7µmPdNi+0.1µm GOLD FLASH ÜBER 1.27 µm NICKEL.  
LÖTSEITE: MIN. 2.5 µm ZINN ÜBER 1.27 µm NICKEL

KONTAKTSTIFT	Cu Zn	<sup>1</sup> △
STIFTGEHÄUSE	PBT GV	GRÜN
BENENNUNG	WERKSTOFF	OBERFLÄCHE
		FARBE

ZEICHNUNG GÜLTIG AB KW 39/96

RELEASED FOR PUBLICATION

ALL RIGHTS RESERVED.

THIS DRAWING IS UNPUBLISHED.

By -  
COPYRIGHT -

DIMENSIONS: mm	DWN 22.06.84 M.SCHAARSCHMIDT	MATERIAL	FINISH
	CHK		
TOLERANCES UNLESS OTHERWISE SPECIFIED: ±0.2 mm	APVD	TE Connectivity	
	PRODUCT SPEC		
0 PLC ± -	108-18012	NAME	
1 PLC ± -		AMPMODU II PIN HEADER, DUAL ROW	
2 PLC ±		SIZE	CAGE CODE
3 PLC ± -		A4	00779
4 PLC ± -		DRAWING NO	RESTRICTED TO
ANGLES ± -		C-825440	—
	WEIGHT	CUSTOMER DRAWING	
		SCALE	4:1
		SHEET	1 OF 2
		REV	G

LOC	DIST	REVISIONS					
—	—	P	LTR	DESCRIPTION	DATE	DWN	APVD
			-	SEE SHEET 1	-	-	-

VERWENDET FÜR  
E 92-9802  
WAR NR. —

CAD-ORIGINAL  
ZEICHNUNG NICHT ÄNDERN

Polz. pro Reihe	L±0.5	Bestell-Nr.	Bemerkung
1	2.54	5- -1	
2	5.08	5- -2	
3	7.62	5- -3	
4	10.16	5- -4	
5	12.70	5- -5	
6	15.24	5- -6	
7	17.78	5- -7	
8	20.32	5- -8	
9	22.86	5- -9	
10	25.40	6- 0	
11	27.94	6- -1	
12	30.48	6- -2	
13	33.02	6- -3	
14	35.56	6- -4	
15	38.10	6- -5	
16	40.64	6- -6	
17	43.18	6- 825 440 -7	△
18	45.72	6- -8	
19	48.26	6- -9	
20	50.80	7- 0	

△ VERPACKUNG: 25 STÜCK IN PLASTIK-DOSE  
PN 165 439-1 MIT PLASTIK-DECKEL  
PN 165 440-1

△ OBSOLETE PARTS: OBSOLETE CIS STREAMLINING PER D.RENAUD/D.SINISI

△ OBSOLETE

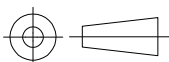
BENENNUNG	WERKSTOFF	OBERFLÄCHE FARBE

ZEICHNUNG GÜLTIG AB KW 39/96

THIS DRAWING IS UNPUBLISHED. ALL RIGHTS RESERVED.

COPYRIGHT - By -

DIMENSIONS: mm	DWN	07.06.84	MATERIAL	FINISH
	CHK	13.06.84	-	
TOLERANCES UNLESS OTHERWISE SPECIFIED:	M.SCHAARSCHMIDT			
	APVD	-		
0 PLC ± -	PRODUCT SPEC	NAME		
1 PLC ± -		AMPMODU II STIFTLAISTE		
2 PLC ± -	APPLICATION SPEC	ZWEIREIHIG		
3 PLC ± -		SIZE	CAGE CODE	DRAWING NO
4 PLC ± -		A4	00779	C-825440
ANGLES ± -	WEIGHT	-		RESTRICTED TO
				-
CUSTOMER DRAWING		SCALE	SHEET	REV
		4:1	2 OF 2	G



## X-ON Electronics

Largest Supplier of Electrical and Electronic Components

*Click to view similar products for [Headers & Wire Housings](#) category:*

*Click to view products by [TE Connectivity](#) manufacturer:*

Other Similar products are found below :

[892-18-020-10-001101](#) [58102-G61-06LF](#) [582553-1](#) [0009485154](#) [009176003701906](#) [0050291907](#) [LY20-4P-DT1-P1E-BR](#) [02.125.8002.8](#)  
[609-3404](#) [61062-3](#) [61082-181009](#) [622-3653LF](#) [63453-116](#) [636-1030](#) [636-1427](#) [636-3427](#) [636-4007](#) [641938-9](#) [641991-4](#) [644827-2](#) [65817-](#)  
[010LF](#) [65817-015LF](#) [65863-015LF](#) [66207-023LF](#) [67095-007LF](#) [67601157](#) [68645-018](#) [68648-049](#) [70.362.1628.0](#) [70-4210](#) [70-4226B](#) [70-](#)  
[4853B](#) [707-5020](#) [707-5028](#) [71.350.2428.0](#) [71918-208LF](#) [71961-016LF](#) [733-134](#) [733-162](#) [754199-000](#) [760-3052](#) [787-8014-00](#) [79531-3000](#)  
[FCN-360C032-B](#) [FCN-367T-T012/H](#) [FCN-723D010/2](#) [80.063.4001.1](#) [800-90-001-10-001000](#) [800-90-010-10-002000](#) [801-43-002-10-013000](#)