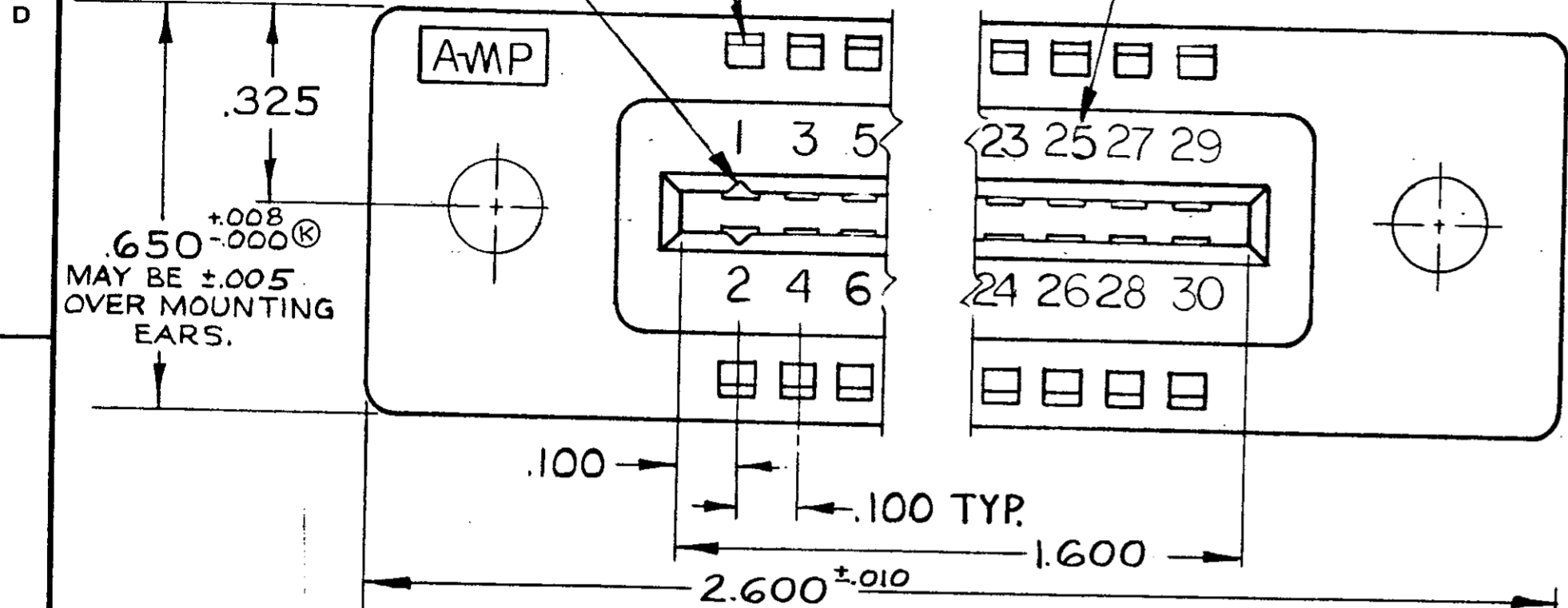


© 1962 BY AMP INCORPORATED. ALL RIGHTS RESERVED. AMP PRODUCTS COVERED BY PATENTS AND/OR PATENTS PENDING. APPROVED PER GOVT CONTRACT NO.

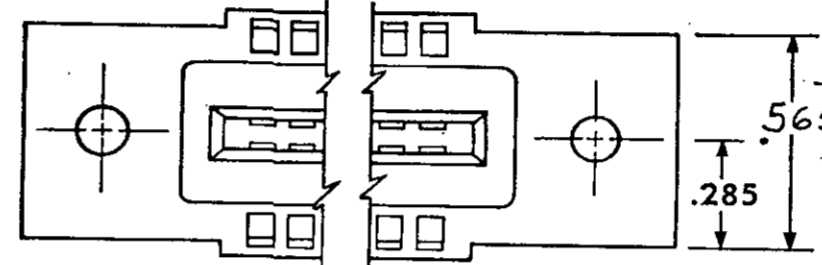
LOCATION FOR AMP-TAB FEMALE CONTACT

CAVITY IDENTIFICATION ON P/N (1) 582585-1 ONLY.

REVISIONS				
ZONE	LTR	DESCRIPTION	DATE	APPROVED
✓	5	REVISED PER 0600-3683-95	TA	10-95 JWARNER

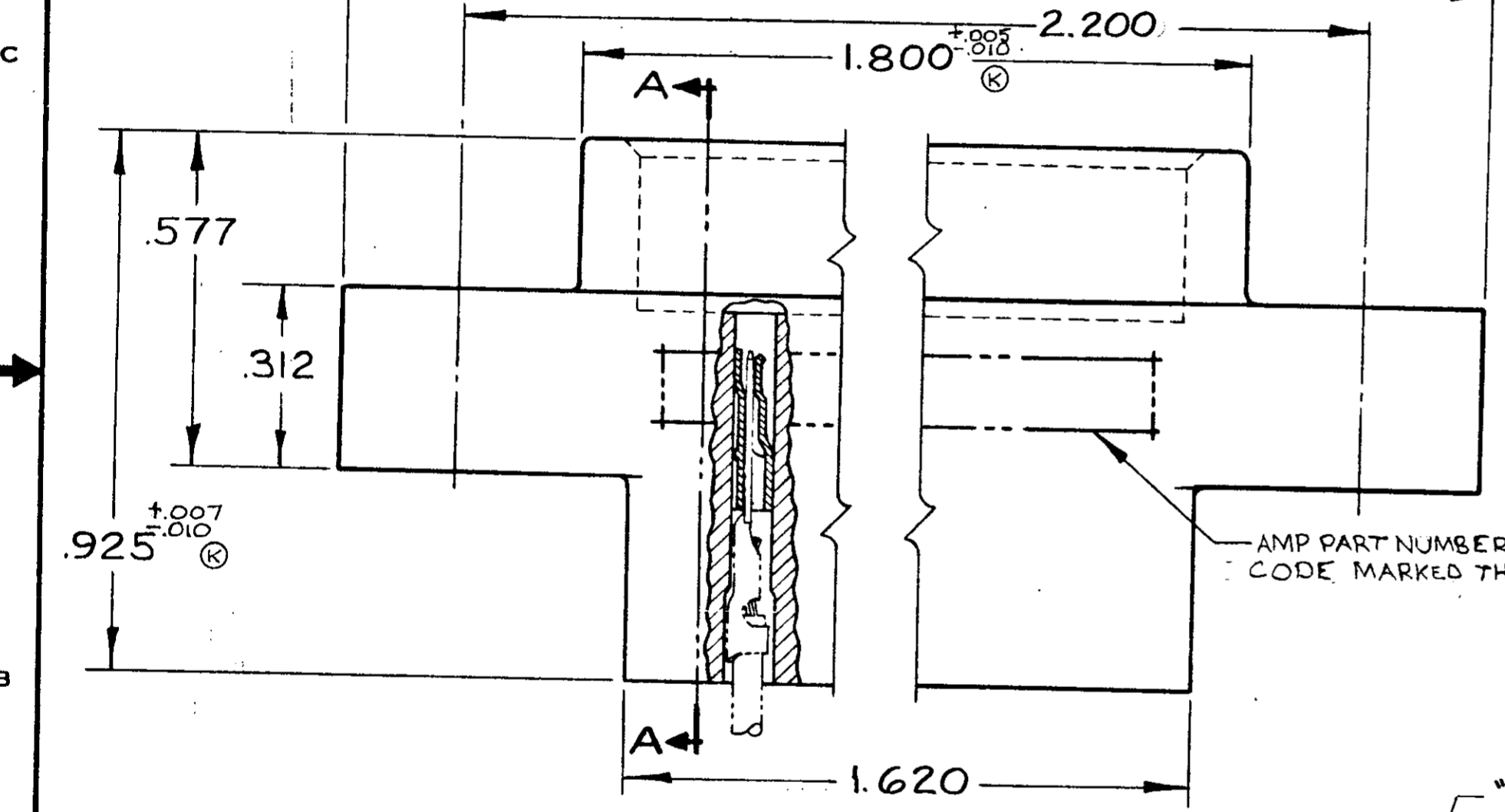


582585-1 1. AS SHOWN "J" DIA. HOLES = .128  
 OBSOLETE 582585-2 1. SAME AS 1 EXCEPT.  
 2. "J" DIA. HOLES = .156

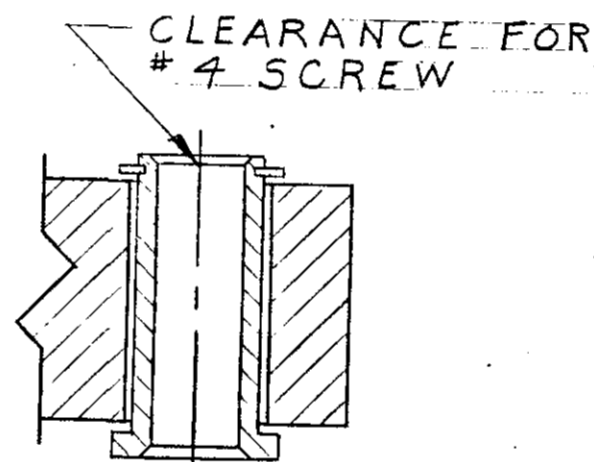


ALTERNATE MOUNTING EAR CONFIGURATION  $\Delta$

OBS  
~~582585-4 1. SAME AS -1 EXCEPT: FLOATING BUSHINGS~~  
 1) 582585-1 1. SAME AS -1 EXCEPT TO HAVE CAVITY IDENT. ON TOP SURFACE OF HOUSING.

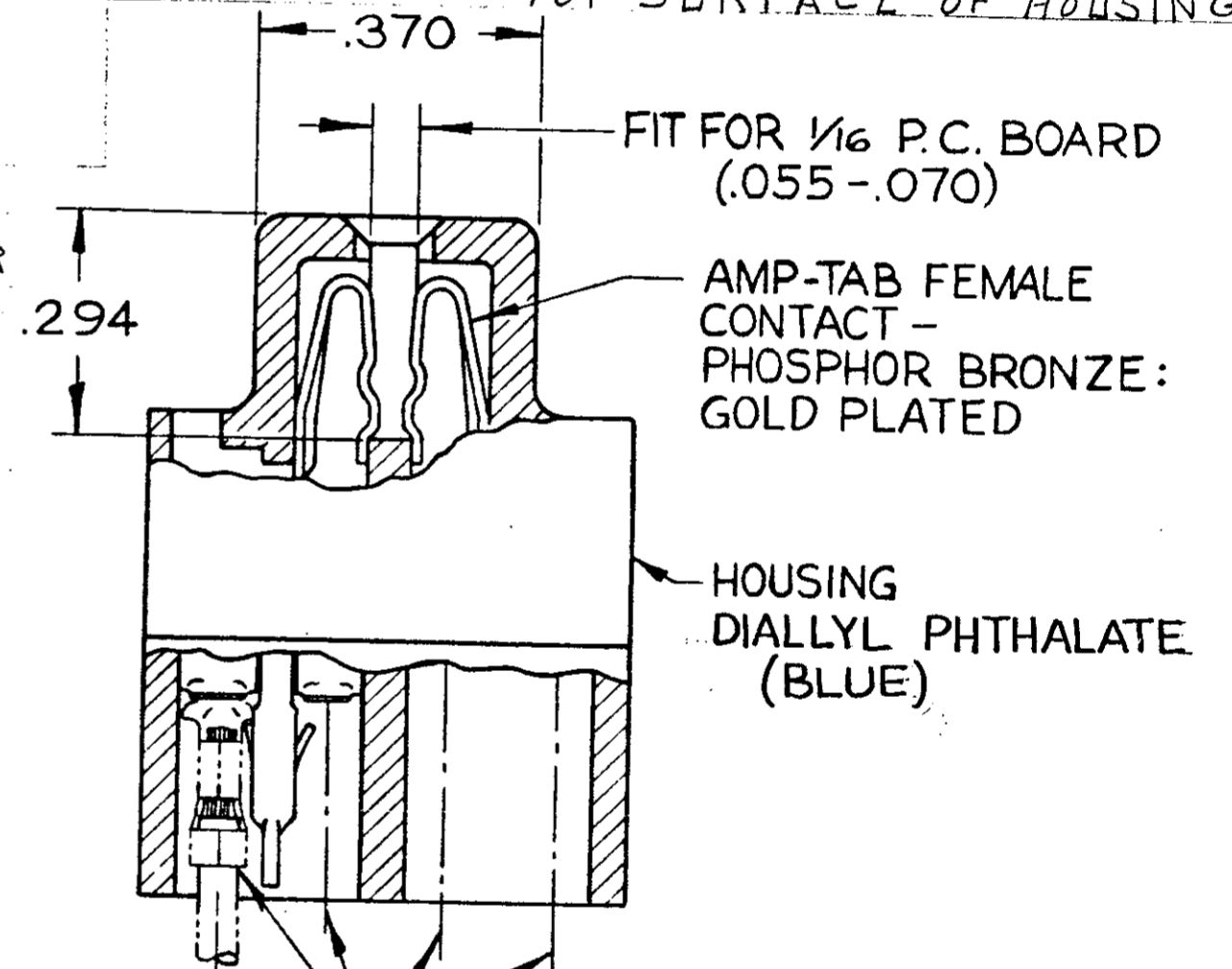


AMP PART NUMBER AND DATE CODE MARKED THIS AREA



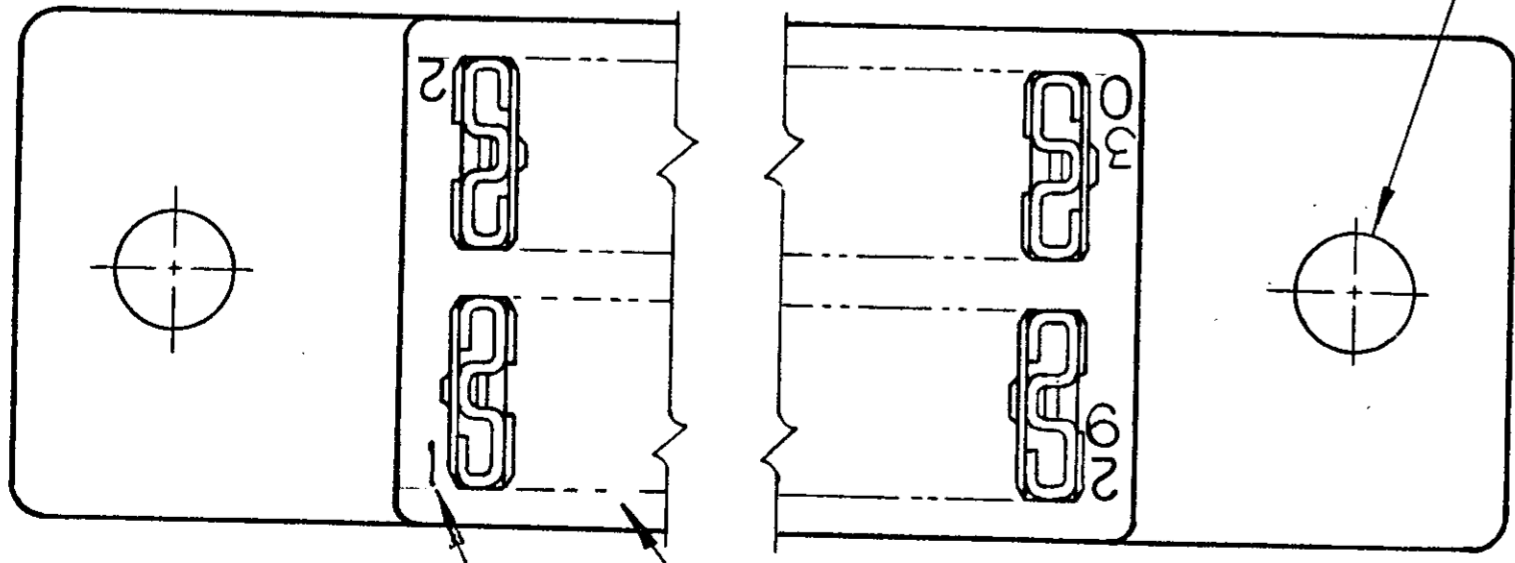
- 4 ONLY

±.003 (M)  
 "J" DIA. HOLES



SECTION A-A

- $\Delta$  GROOVES FOR "ON CONTACT KEYING" AMP'S OPTION DEPENDING ON METHOD OF MANUFACTURE. FOR "ON CONTACT" KEYING USE KEYING PLUG P/N 583487-1. (MUST BE ORDERED SEPARATELY.)
- $\Delta$  MOUNTING EAR CONFIGURATION AMP'S OPTION DEPENDS ON METHOD OF MANUFACTURE.



UNLESS OTHERWISE SPECIFIED DIMENSIONS ARE IN INCHES TOLERANCES ON		CONTRACT NO.		AMP INCORPORATED HARRISBURG, PENNSYLVANIA	
FRACTIONS ±	DECIMALS ±.005	ANGLES ±	DR J. Asick	DATE 12-16-66	AMP TRADEMARK
MATERIAL SEE CALLOUT			CHK L. Burns	DATE 1-5-67	15- POSITION AMP-TAB CONNECTOR .100 CENTERS QUAD
HEAT TREAT —			APPD J. Kaufman	DATE 1-11-67	
FINISH SEE CALLOUT			DSGN APPD R. Showman	DATE 1/10/67	NUMBER 582585
OTHER APPD			SIZE C	CODE IDENT NO 00779	SCALE 4-1
			WT	CALC	ACTUAL
			SHEET		

AMP INFO	
LOC	PRINT/DIST
DF	FO

NUMBER 582585  
CUS. 582585

## X-ON Electronics

Largest Supplier of Electrical and Electronic Components

*Click to view similar products for [Headers & Wire Housings](#) category:*

*Click to view products by [TE Connectivity](#) manufacturer:*

Other Similar products are found below :

[95000-104TRLF](#) [10135584-644402LF](#) [DF62W-EP2022PCA](#) [95000-106TRLF](#) [DF62W-2022SCA](#) [DF62W-EP2022PC](#) [2203348](#) [DF62W-2022SC](#) [1084018](#) [1029039](#) [1084017](#) [802-10-012-10-002000](#) [1112640](#) [1112639](#) [000-34000](#) [0009482033](#) [0009507031](#) [57102-S06-03LF](#) [57202-S52-04LF](#) [PCN6-15S-2.5E](#) [0039019024](#) [58102-G61-06LF](#) [582553-1](#) [0009485154](#) [0009508121](#) [0022285053](#) [0050291907](#) [018731A](#) [LY20-4P-DT1-P1E-BR](#) [02.125.8002.8](#) [60101931](#) [60598-1 \(Cut Strip\)](#) [M1625-3R/100](#) [61062-3](#) [61082-181009](#) [636-1427](#) [638009-1](#) [641938-9](#) [641991-4](#) [644168-1](#) [647662-1](#) [65039-019ELF](#) [65817-002LF](#) [65817-015LF](#) [65863-015LF](#) [66207-023LF](#) [67016-026LF](#) [67046-001LF](#) [67095-007LF](#) [67230-005LF](#)